



Chipsmall Limited consists of a professional team with an average of over 10 year of expertise in the distribution of electronic components. Based in Hongkong, we have already established firm and mutual-benefit business relationships with customers from,Europe,America and south Asia,supplying obsolete and hard-to-find components to meet their specific needs.

With the principle of “Quality Parts,Customers Priority,Honest Operation,and Considerate Service”,our business mainly focus on the distribution of electronic components. Line cards we deal with include Microchip,ALPS,ROHM,Xilinx,Pulse,ON,Everlight and Freescale. Main products comprise IC,Modules,Potentiometer,IC Socket,Relay,Connector.Our parts cover such applications as commercial,industrial, and automotives areas.

We are looking forward to setting up business relationship with you and hope to provide you with the best service and solution. Let us make a better world for our industry!



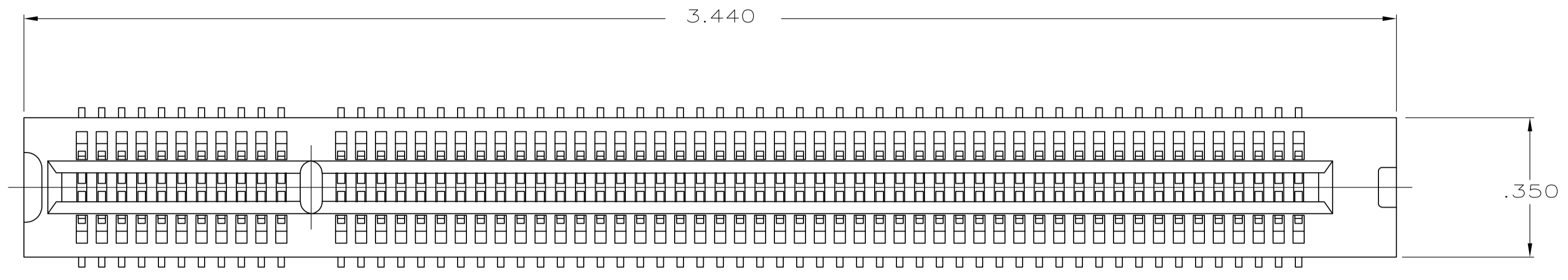
Contact us

Tel: +86-755-8981 8866 Fax: +86-755-8427 6832

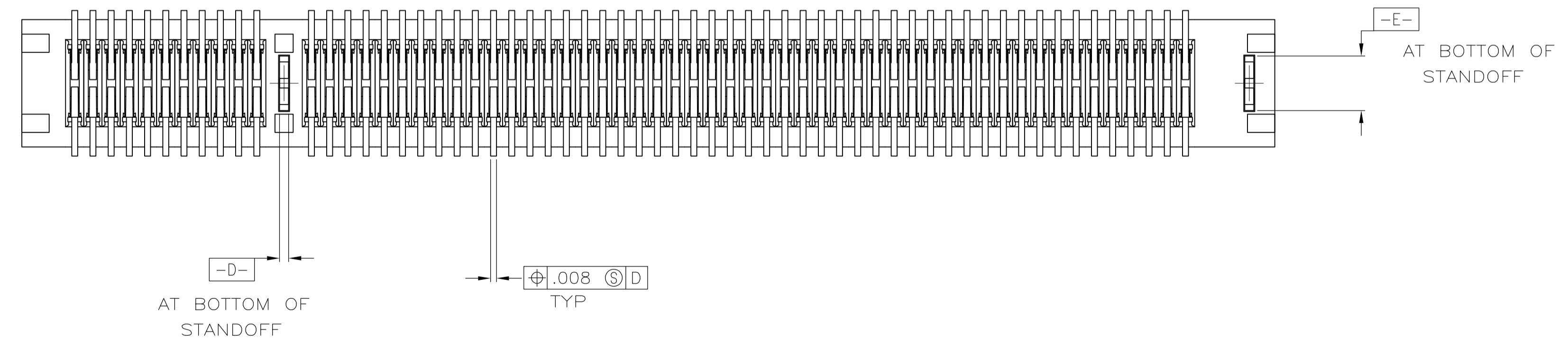
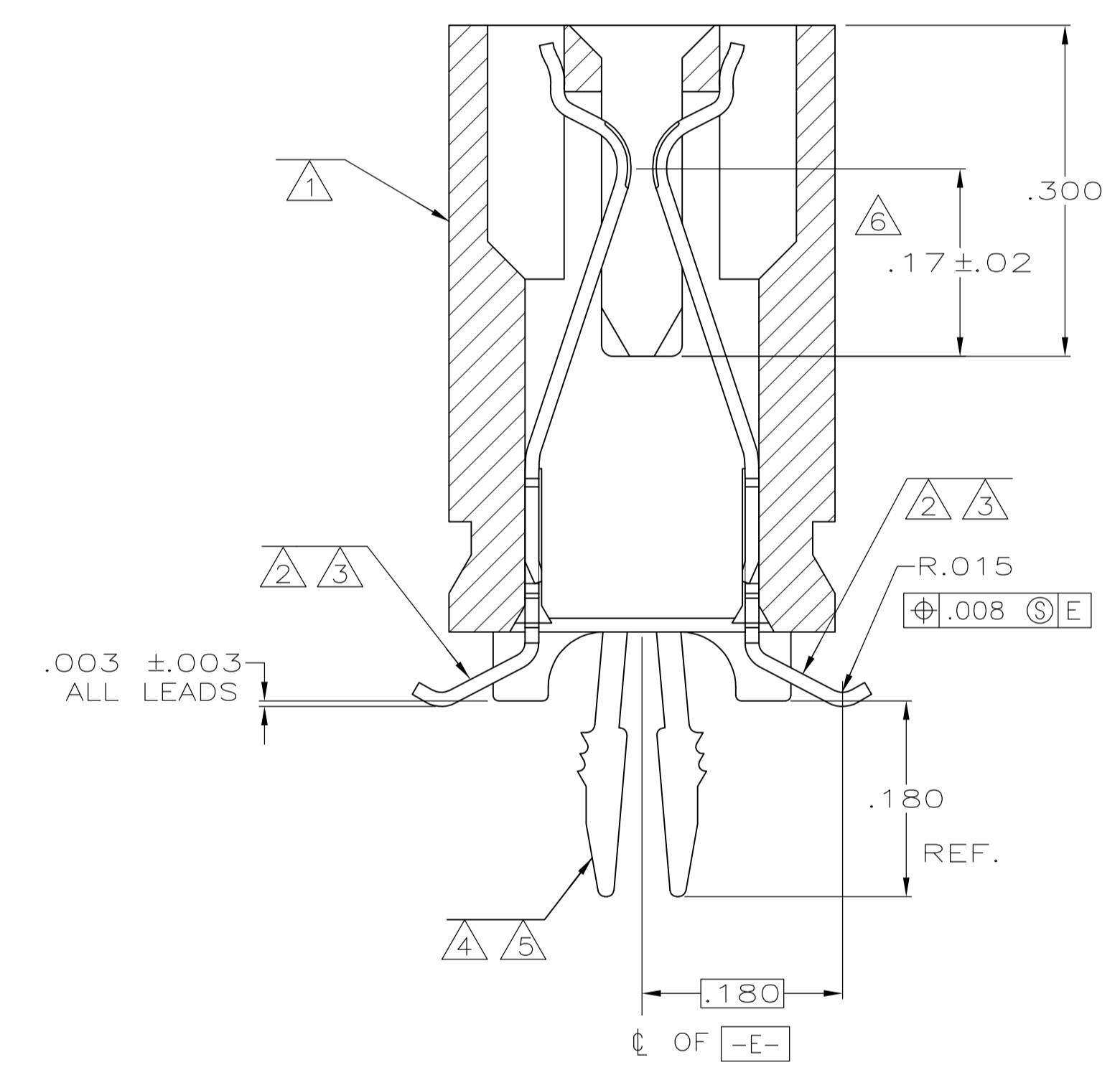
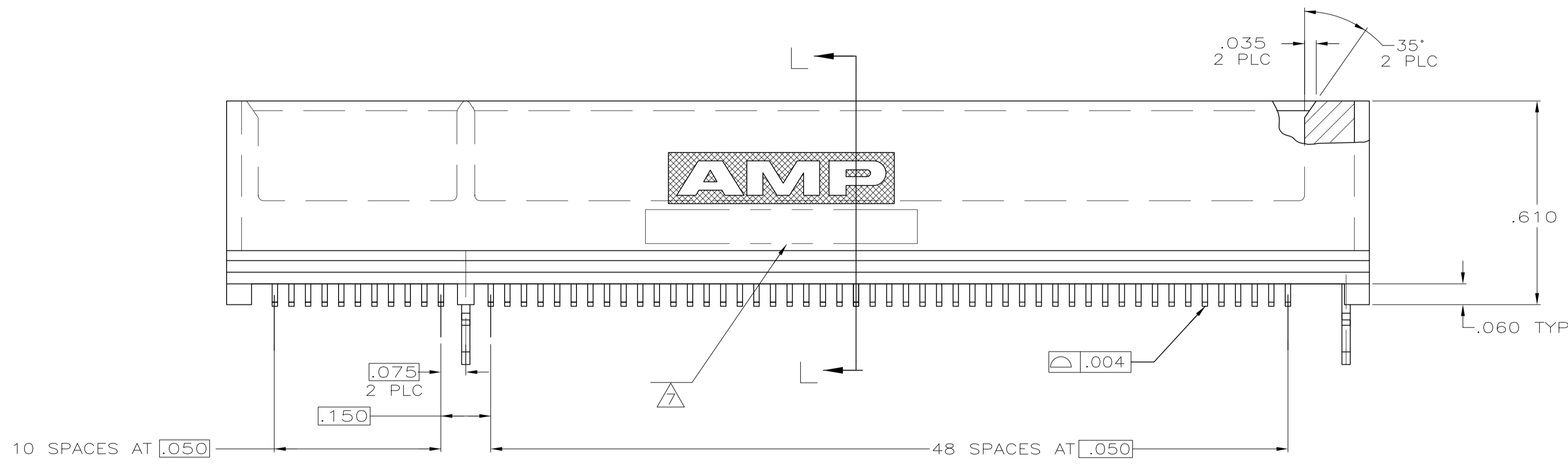
Email & Skype: info@chipsmall.com Web: www.chipsmall.com

Address: A1208, Overseas Decoration Building, #122 Zhenhua RD., Futian, Shenzhen, China





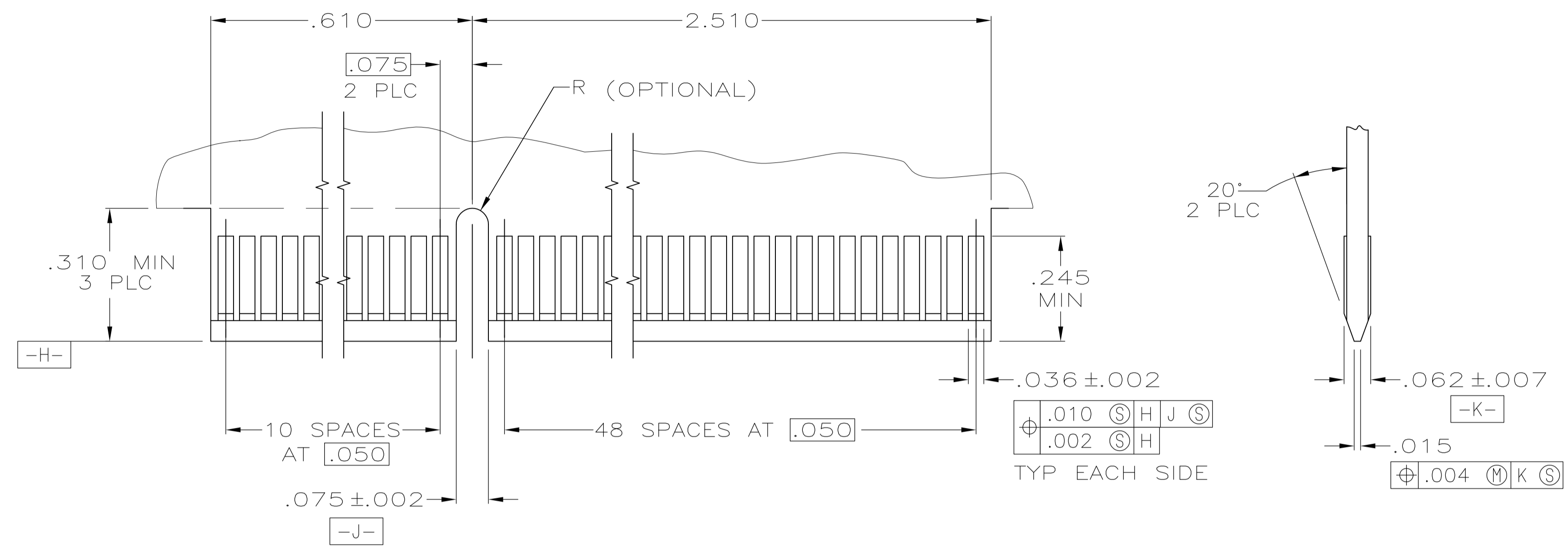
- ① HOUSING: HIGH TEMPERATURE THERMOPLASTIC.
- ② CONTACT: PHOSPHOR BRONZE.
- ③ CONTACT FINISH: .000100 MIN NICKEL ALL OVER, .000030 MIN GOLD OVER NICKEL IN CONTACT AREA, .000100 MIN MATTE TIN OVER NICKEL ON SOLDER TAILS.
- ④ METAL HOLD DOWN: BRASS
- ⑤ METAL HOLD DOWN FINISH: .000050 MIN NICKEL ALL OVER, .000150 MIN MATTE TIN ALL OVER.
- ⑥ DISTANCE FROM CONTACT POINT TO BOTTOM OF CARD SLOT.
- ⑦ AMP PART NUMBER, DATE CODE AND CSA LOGO MARKED IN APPROXIMATE AREA SHOWN.



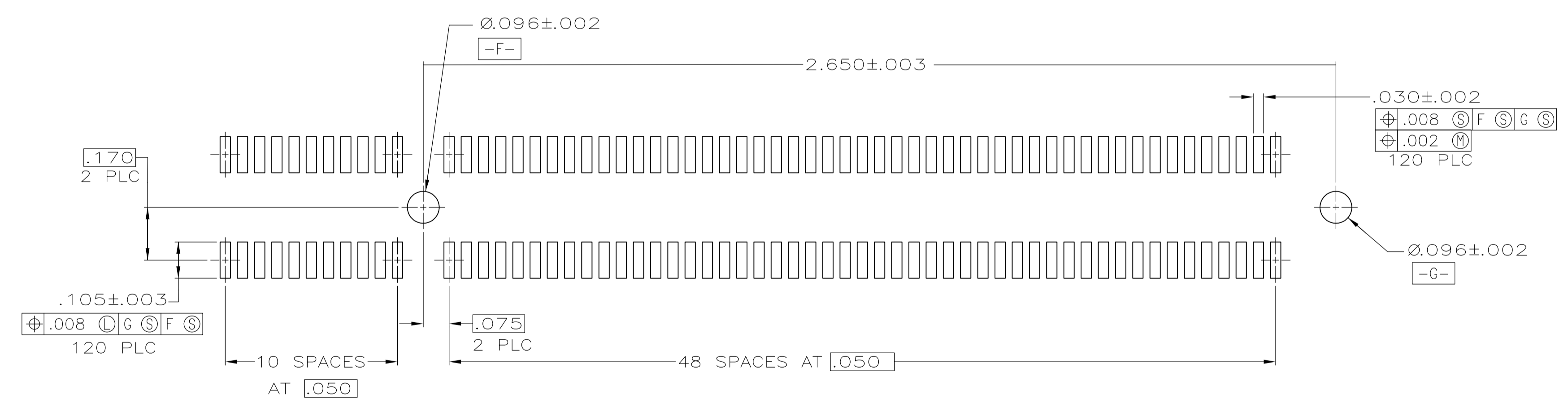
SECTION L-L
SCALE 8:1

145098-1 AS SHOWN

THIS DRAWING IS A CONTROLLED DOCUMENT.		DMN AL FRANTUM 09 JUN 05	TE Connectivity		
DIMENSIONS: INCHES		CHK AL FRANTUM 09 JUN 05			
TOLERANCES UNLESS OTHERWISE SPECIFIED:		APVD	NAME		
0 PLC ± - 1 PLC ± - 2 PLC ± - 3 PLC ± .005 4 PLC ± - ANGLES ± - °		PRODUCT SPEC 108-14034	CONNECTOR ASSEMBLY, 60 DUAL POSITION, .050 SERIES, STANDARD EDGE, SURFACE MOUNT		
MATERIAL		APPLICATION SPEC 114-13148	SIZE A1	CAGE CODE 00779	DRAWING NO 5145098
FINISH		WEIGHT	RESTRICTED TO		
①②④		CUSTOMER DRAWING		SCALE 4:1	SHEET 1 OF 2



RECOMMENDED MATING BOARD EDGE CONFIGURATION



RECOMMENDED PC BOARD PATTERN
(CONNECTOR SIDE SHOWN)

THIS DRAWING IS A CONTROLLED DOCUMENT.		DMN AL FRANTUM 09 JUN 05	TE Connectivity
DIMENSIONS: INCHES		CHK AL FRANTUM 09 JUN 05	
TOLERANCES UNLESS OTHERWISE SPECIFIED:		APVD	NAME
0 PLC ± - 1 PLC ± - 2 PLC ± - 3 PLC ± .005 4 PLC ± - ± 2° ANGLES ± - ± 2°		PRODUCT SPEC 108-14034	CONNECTOR ASSEMBLY, 60 DUAL POSITION, .050 SERIES, STANDARD EDGE, SURFACE MOUNT
MATERIAL SEE SHEET 1		APPLICATION SPEC 114-13148	RESTRICTED TO
FINISH SEE SHEET 1		WEIGHT -	SCALE 4:1 SHEET 2 OF 2 REV P
CUSTOMER DRAWING		SIZE A1	00779C=5145098