



Chipsmall Limited consists of a professional team with an average of over 10 year of expertise in the distribution of electronic components. Based in Hongkong, we have already established firm and mutual-benefit business relationships with customers from,Europe,America and south Asia,supplying obsolete and hard-to-find components to meet their specific needs.

With the principle of "Quality Parts,Customers Priority,Honest Operation,and Considerate Service",our business mainly focus on the distribution of electronic components. Line cards we deal with include Microchip,ALPS,ROHM,Xilinx,Pulse,ON,Everlight and Freescale. Main products comprise IC,Modules,Potentiometer,IC Socket,Relay,Connector.Our parts cover such applications as commercial,industrial, and automotives areas.

We are looking forward to setting up business relationship with you and hope to provide you with the best service and solution. Let us make a better world for our industry!



Contact us

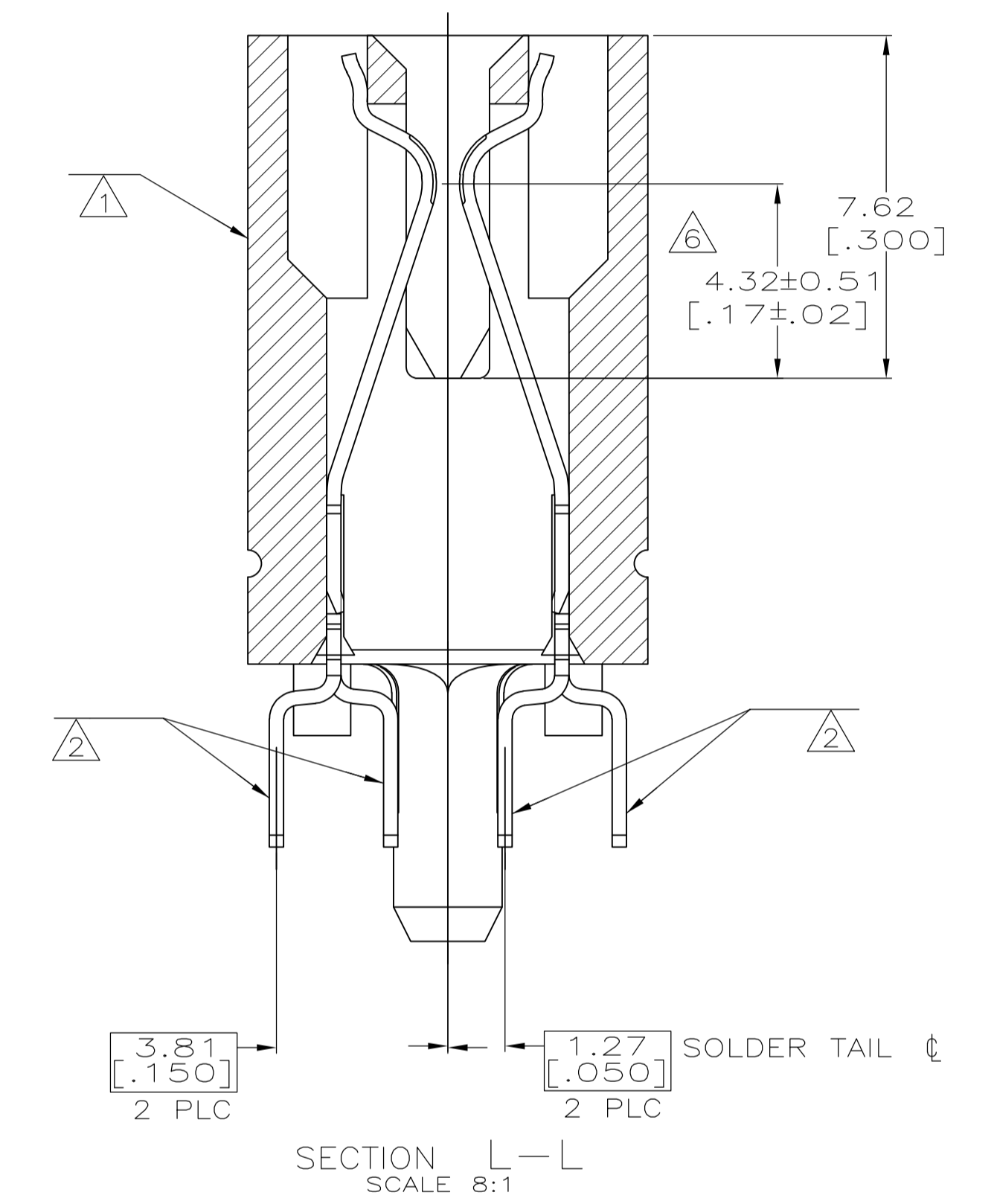
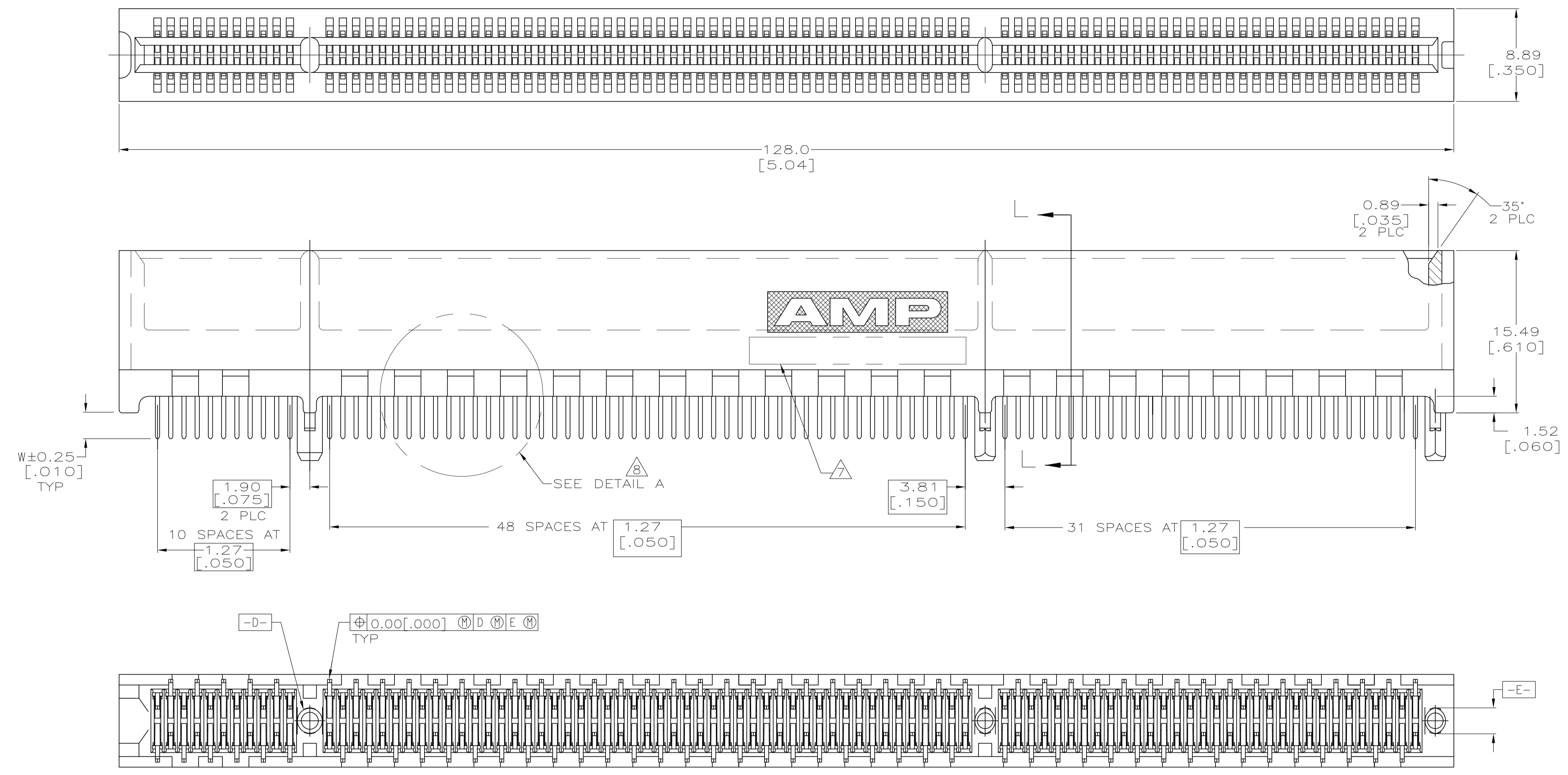
Tel: +86-755-8981 8866 Fax: +86-755-8427 6832

Email & Skype: info@chipsmall.com Web: www.chipsmall.com

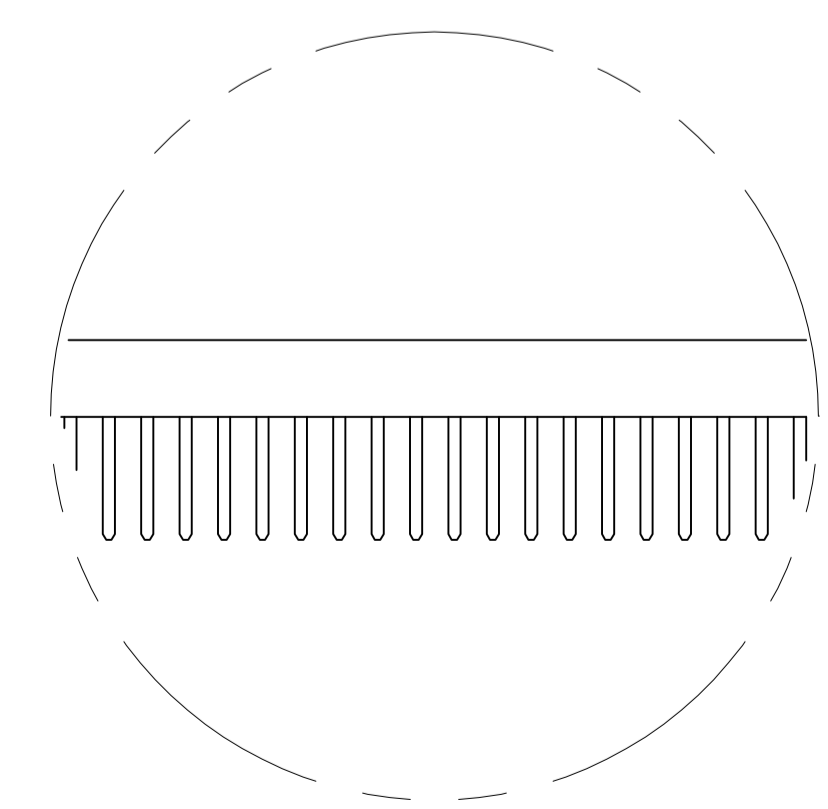
Address: A1208, Overseas Decoration Building, #122 Zhenhua RD., Futian, Shenzhen, China



SEE SHEET 2 FOR NOTES

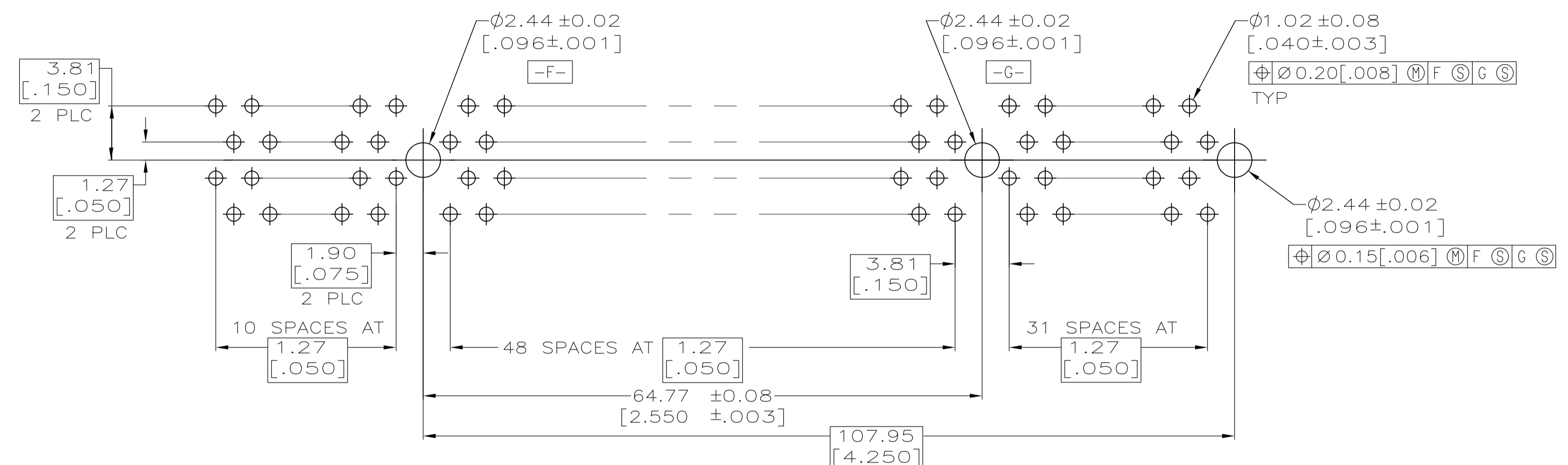


SEE SHEET 2 FOR HOLE PATTERN



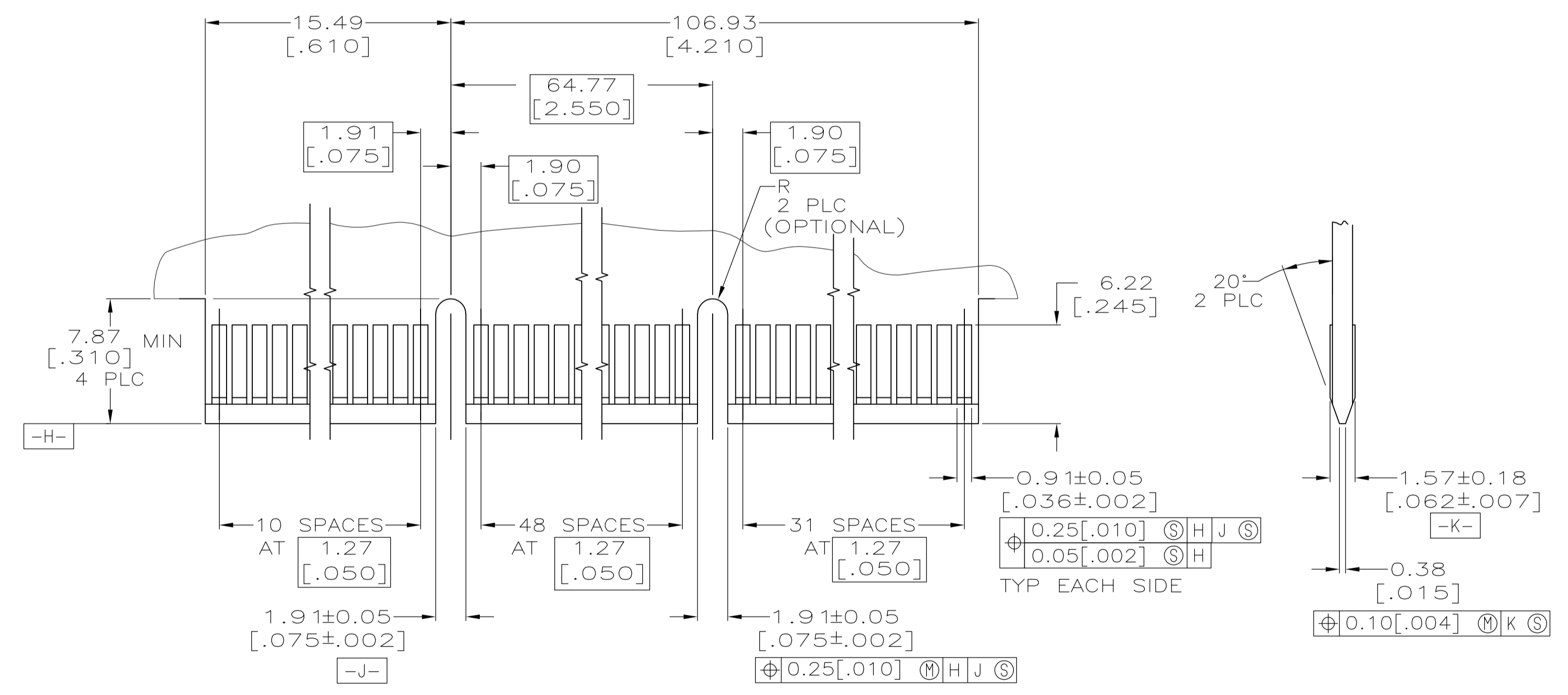
3.56 [.140]	5	1-5145165-2
3.17 [.125]	5	5145165-8
2.54 [.100]	5	5145165-4
2.54 [.100]	5	5145165-2
2.54 [.100]	5	5145165-1
W	FINISH	PART NUMBER

THIS DRAWING IS A CONTROLLED DOCUMENT.		DRN AL FRANTUM 04 FEB 05	STE TE Connectivity	
DIMENSIONS: mm		CHK AL FRANTUM 04 FEB 05	CONNECTOR ASSEMBLY, 92 DUAL POSITION, .050 SERIES, STANDARD EDGE	
TOLERANCES UNLESS OTHERWISE SPECIFIED:		APVD -	NAME	
0 PLC	± -	PRODUCT SPEC	108-14034	
1 PLC	± -	APPLICATION SPEC	114-26012	
2 PLC	± 0.25 [.01]	SIZE	A1	00779
3 PLC	± 0.13 [.005]	WEIGHT	C=5145165	
4 PLC	± - ± A	CUSTOMER DRAWING	SCALE 4:1	SHEET 1 OF 2
ANGLES	± - ± A			REV C1



RECOMMENDED CONNECTOR MOUNTING HOLE PATTERN
(CONNECTOR SIDE SHOWN)

- 1 HOUSING: HIGH TEMPERATURE THERMOPLASTIC. COLOR - NATURAL
- 2 CONTACT: PHOSPHOR BRONZE.
- 3 CONTACT FINISH: 0.00127[.000050] MIN NICKEL ALL OVER. GOLD FLASH OVER NICKEL IN CONTACT AREA. 0.00254[.000100] MIN MATTE TIN OVER NICKEL ON SOLDER TAILS.
- 4 CONTACT FINISH: 0.00127[.000050] MIN NICKEL ALL OVER. 0.00038[.000015] GOLD OVER NICKEL IN CONTACT AREA. 0.00254[.000100] MIN MATTE TIN OVER NICKEL ON SOLDER TAILS.
- 5 CONTACT FINISH: 0.00127[.000050] MIN NICKEL ALL OVER. 0.00076[.000030] GOLD OVER NICKEL IN CONTACT AREA. 0.00254[.000100] MIN MATTE TIN OVER NICKEL ON SOLDER TAILS.
- 6 DISTANCE FROM CONTACT POINT TO BOTTOM OF CARD SLOT.
- 7 AMP PART NUMBER, DATE CODE AND CSA LOGO MARKED IN APPROXIMATE LOCATION SHOWN.
- 8 CORED OR SOLID SIDE WALLS ARE AT DISCRETION OF AMP INCORPORATED.



RECOMMENDED MATING BOARD EDGE CONFIGURATION

THIS DRAWING IS A CONTROLLED DOCUMENT.		DIN AL FRANTUM 04 FEB 05		TE Connectivity	
DIMENSIONS: mm		CIR AL FRANTUM 04 FEB 05			
TOLERANCES UNLESS OTHERWISE SPECIFIED:		APVD		NAME	
0 PLC ± -		PRODUCT SPEC		CONNECTOR ASSEMBLY,	
1 PLC ± -		108-14034		92 DUAL POSITION, .050 SERIES,	
2 PLC ± 0.25 [.01]		APPLICATION SPEC		STANDARD EDGE	
3 PLC ± 0.13 [.005]		114-26012		SIZE CAGE CODE DRAWING NO	
4 PLC ± - ±		WEIGHT		RESTRICTED TO	
ANGLES ± - ±		A1 00779 5145165		CUSTOMER DRAWING	
MATERIAL		SCALE 4:1		SHEET 2 OF 2	
FINISH		REV C1			