



Chipsmall Limited consists of a professional team with an average of over 10 year of expertise in the distribution of electronic components. Based in Hongkong, we have already established firm and mutual-benefit business relationships with customers from,Europe,America and south Asia,supplying obsolete and hard-to-find components to meet their specific needs.

With the principle of “Quality Parts,Customers Priority,Honest Operation,and Considerate Service”,our business mainly focus on the distribution of electronic components. Line cards we deal with include Microchip,ALPS,ROHM,Xilinx,Pulse,ON,Everlight and Freescale. Main products comprise IC,Modules,Potentiometer,IC Socket,Relay,Connector.Our parts cover such applications as commercial,industrial, and automotives areas.

We are looking forward to setting up business relationship with you and hope to provide you with the best service and solution. Let us make a better world for our industry!



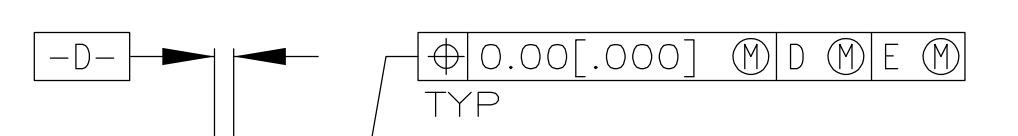
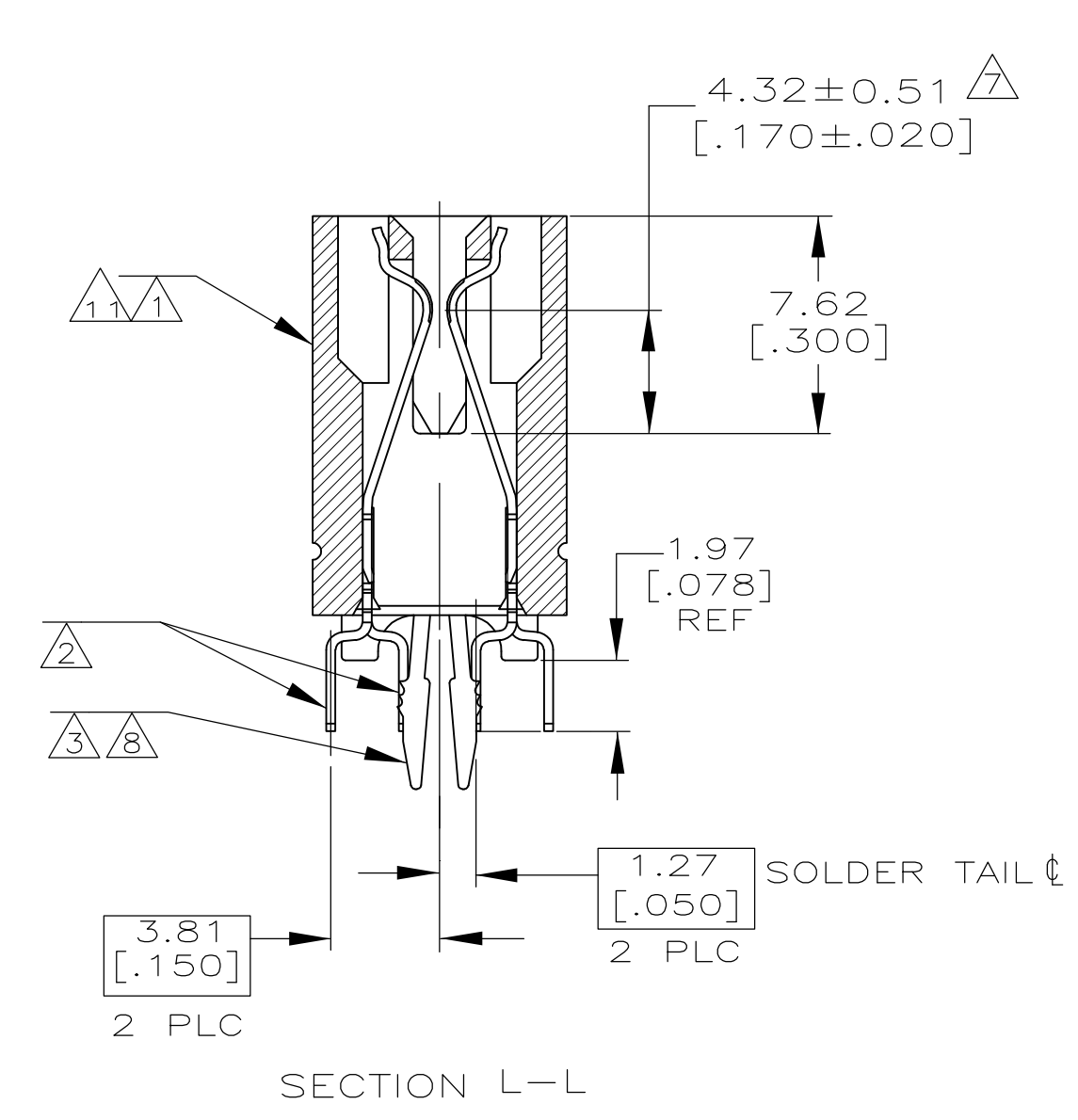
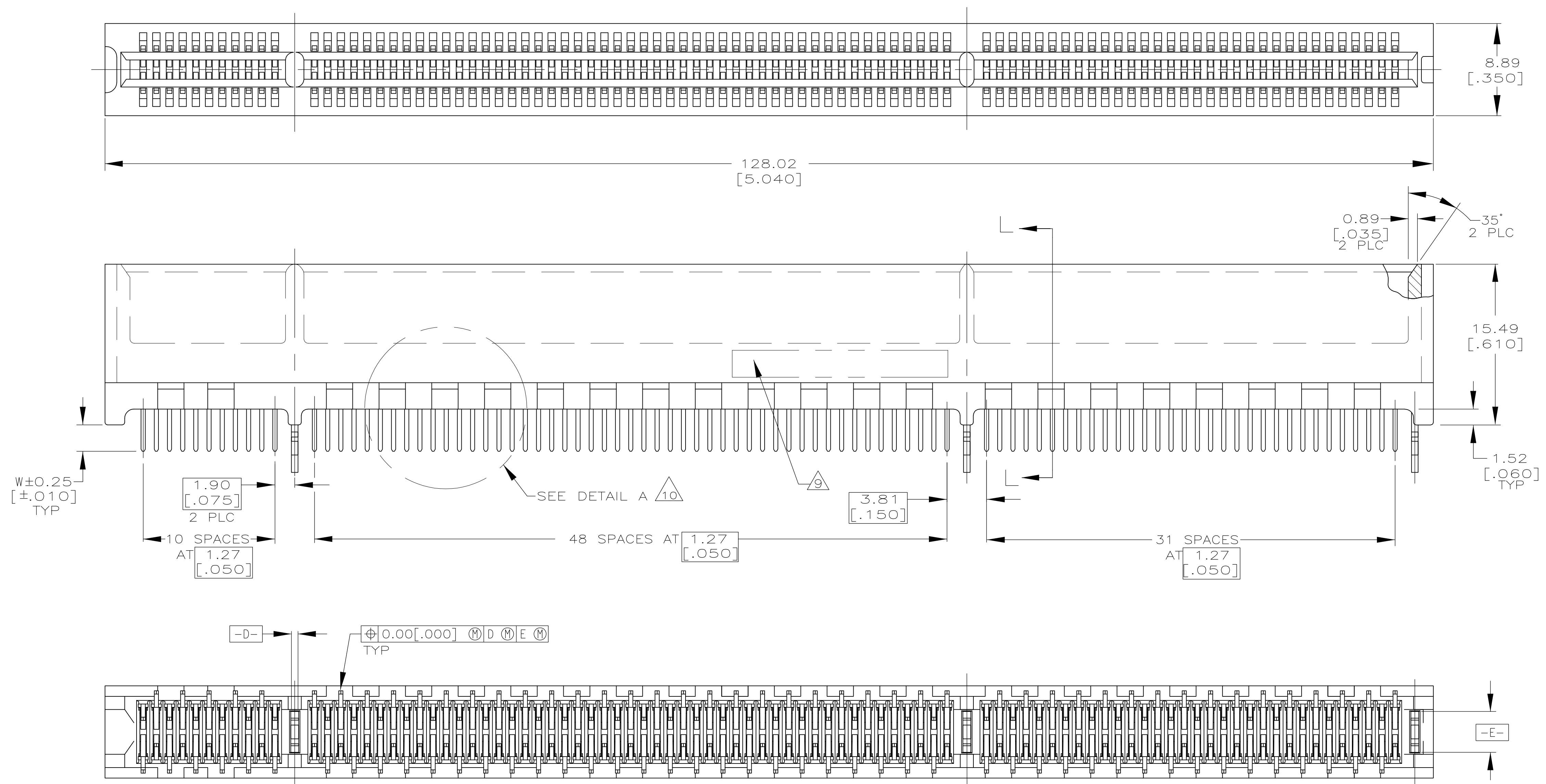
## Contact us

Tel: +86-755-8981 8866 Fax: +86-755-8427 6832

Email & Skype: info@chipsmall.com Web: www.chipsmall.com

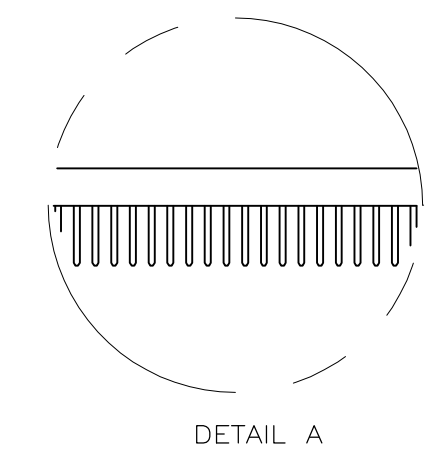
Address: A1208, Overseas Decoration Building, #122 Zhenhua RD., Futian, Shenzhen, China





- ① HOUSING: HIGH TEMPERATURE THERMOPLASTIC. COLOR - NATURAL
- ② CONTACT: PHOSPHOR BRONZE.
- ③ METAL HOLD DOWN: BRASS
- ④ CONTACT FINISH: .001269 [.000050] MIN NICKEL ALL OVER. GOLD FLASH OVER NICKEL IN CONTACT AREA. .002537 [.000100] MIN MATTE TIN OVER NICKEL ON SOLDER TAILS.
- ⑤ CONTACT FINISH: .001269 [.000050] MIN NICKEL ALL OVER. .000375 [.000015] GOLD OVER NICKEL IN CONTACT AREA. .002537 [.000100] MIN MATTE TIN OVER NICKEL ON SOLDER TAILS.
- ⑥ CONTACT FINISH: .001269 [.000050] MIN NICKEL ALL OVER. .000757 [.000030] GOLD OVER NICKEL IN CONTACT AREA. .002537 [.000100] MIN MATTE TIN OVER NICKEL ON SOLDER TAILS.
- ⑦ DISTANCE FROM CONTACT POINT TO BOTTOM OF CARD SLOT.
- ⑧ METAL HOLD DOWN FINISH: .001269 [.000050] MIN NICKEL ALL OVER, .003809 [.000150] MIN MATTE TIN ALL OVER.
- ⑨ AMP PART NUMBER, DATE CODE AND CSA LOGO MARKED IN APPROXIMATE LOCATION SHOWN.
- ⑩ CORED OR SOLID SIDE WALLS ARE AT DISCRETION OF AMP INCORPORATED.
- ⑪ HOUSING: HIGH TEMPERATURE THERMOPLASTIC COLOR- GREEN, PANTONE COLORS 355C OR 365C
- ⑫ HOUSING: HIGH TEMPERATURE THERMOPLASTIC COLOR: BLACK
- ⑬ OBSOLETE PARTS: OBSOLETE CIS STREAMLINING PER D.RENAUD/D.SINISI

SEE SHEET 2 FOR HOLE PATTERN



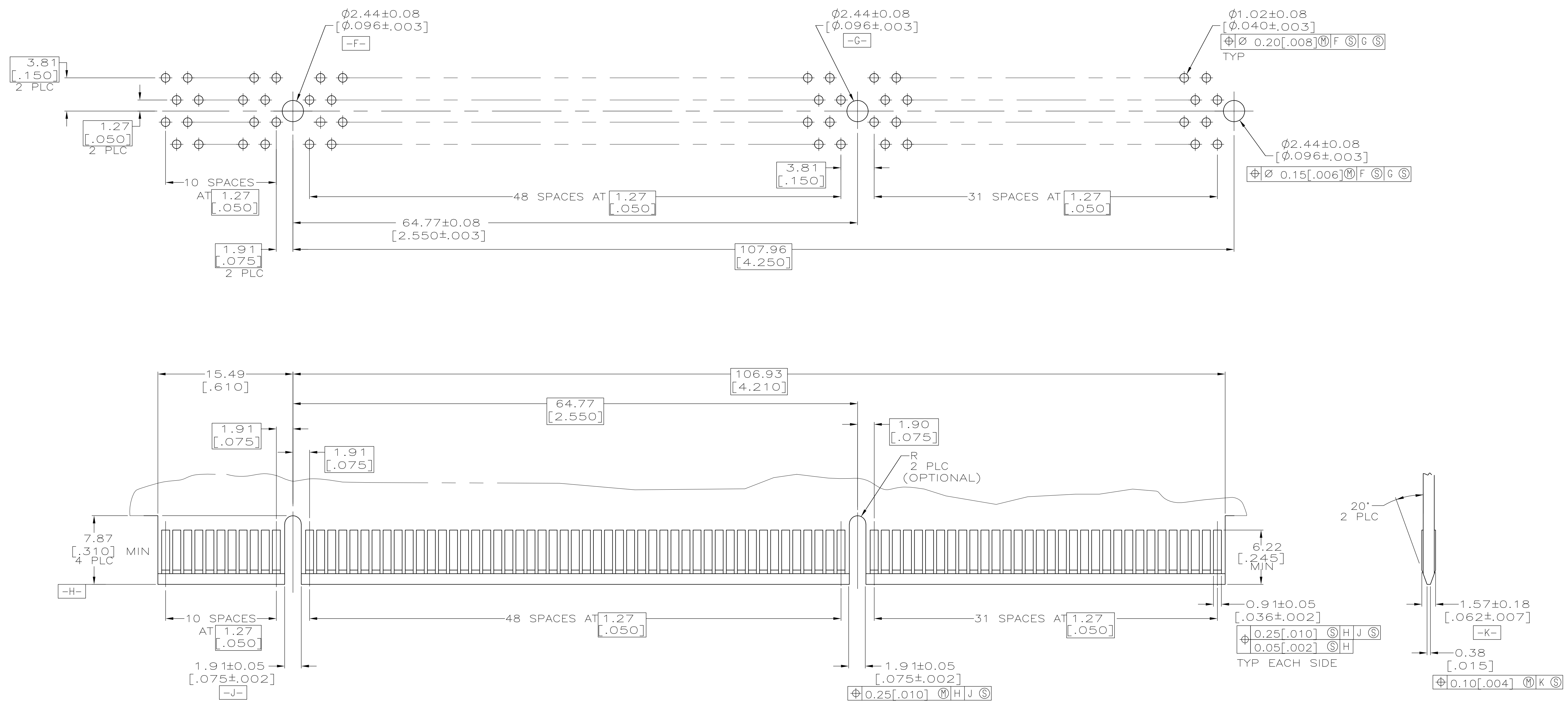
⑬ OBSOLETE	⑫ 2.54 [.100]	⑪ 2-5145168-9
	⑩ 3.18 [.125]	⑨ 2-5145168-8
	⑨ 3.56 [.140]	⑧ 1-5145168-2
	⑧ 3.18 [.125]	⑦ 5145168-8
	⑦ 2.54 [.100]	⑥ 5145168-4
	⑥ 2.54 [.100]	⑤ 5145168-2
	⑤ 2.54 [.100]	④ 5145168-1
HSG MATL	W	FINISH
		PART NUMBER

THIS DRAWING IS A CONTROLLED DOCUMENT.

DIMENSIONS: mm	TOLERANCES UNLESS OTHERWISE SPECIFIED:	0 PLC ± -	1 PLC ± -	2 PLC ± 0.25 [.01]	3 PLC ± 0.127 [.005]	4 PLC ± ± Z	ANGLES ± ± Z
MATERIAL	FINISH	WEIGHT	SIZE	CAGE CODE	DRAWING NO	RESTRICTED TO	
AL FRANTUM	22 JAN 05	AL FRANTUM	22 JAN 05	AL FRANTUM	25JULY2006	NAME	
S.FLICKINGER	108-14034	APPLICATION SPEC	114-26012	SIZE	CAGE CODE	DRAWING NO	
114-26012	A1	00779	5145168	SCALE	4:1	SHEET 1 OF 2	
CUSTOMER DRAWING						REV B2	

STE TE Connectivity

CONNECTOR ASSEMBLY, 92 DUAL POSITION, 1.27 (.050) SERIES



THIS DRAWING IS A CONTROLLED DOCUMENT.		DWN AL FRANTUM 22 JAN 05 CHK AL FRANTUM 22 JAN 05 APVD S FLICKINGER 26JULY2006	TE Connectivity
DIMENSIONS: mm	TOLERANCES UNLESS OTHERWISE SPECIFIED: 0 PLC $\pm$ - 1 PLC $\pm$ - 2 PLC $\pm 0.25$ [ $0.01$ ] 3 PLC $\pm 0.127$ [ $0.005$ ] 4 PLC $\pm$ - $\pm \alpha$ ANGLES $\pm$ - $\alpha$	NAME PRODUCT SPEC 108-14034 APPLICATION SPEC 114-26012	CONNECTOR ASSEMBLY, 92 DUAL POSITION, 1.27 (.050) SERIES
MATERIAL SEE SHEET 1	FINISH SEE SHEET 1	WEIGHT - CUSTOMER DRAWING	SIZE A1 CAGE CODE 00779 DRAWING NO 5145168 RESTRICTED TO - SCALE 4:1 SHEET 2 OF 2 REV B1