



Chipsmall Limited consists of a professional team with an average of over 10 year of expertise in the distribution of electronic components. Based in Hongkong, we have already established firm and mutual-benefit business relationships with customers from,Europe,America and south Asia,supplying obsolete and hard-to-find components to meet their specific needs.

With the principle of “Quality Parts,Customers Priority,Honest Operation,and Considerate Service”,our business mainly focus on the distribution of electronic components. Line cards we deal with include Microchip,ALPS,ROHM,Xilinx,Pulse,ON,Everlight and Freescale. Main products comprise IC,Modules,Potentiometer,IC Socket,Relay,Connector.Our parts cover such applications as commercial,industrial, and automotives areas.

We are looking forward to setting up business relationship with you and hope to provide you with the best service and solution. Let us make a better world for our industry!



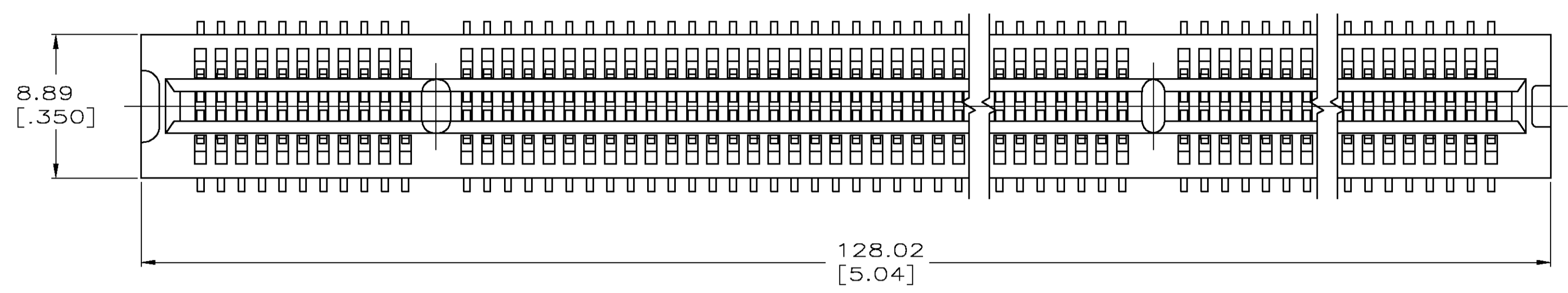
## Contact us

Tel: +86-755-8981 8866 Fax: +86-755-8427 6832

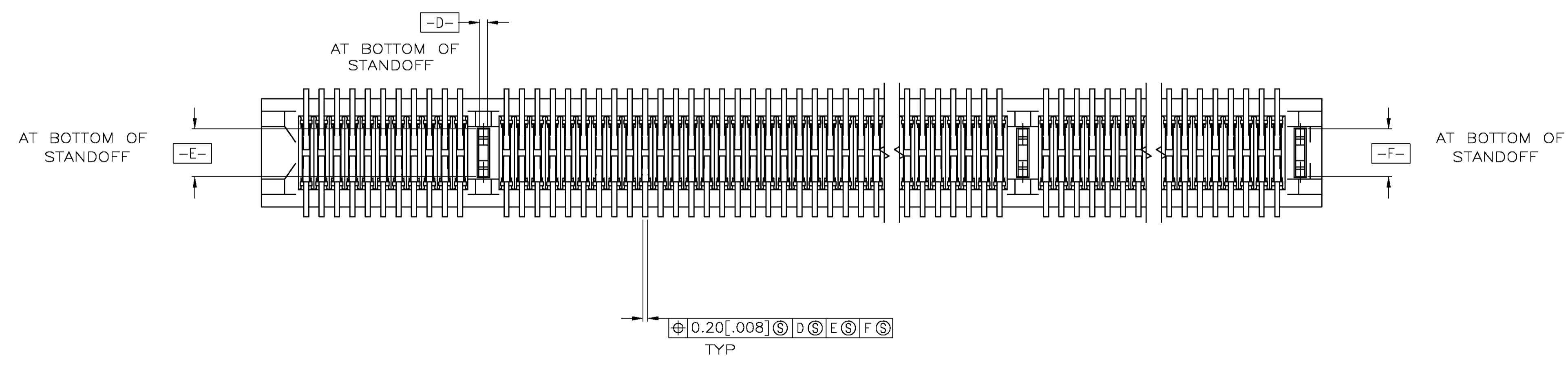
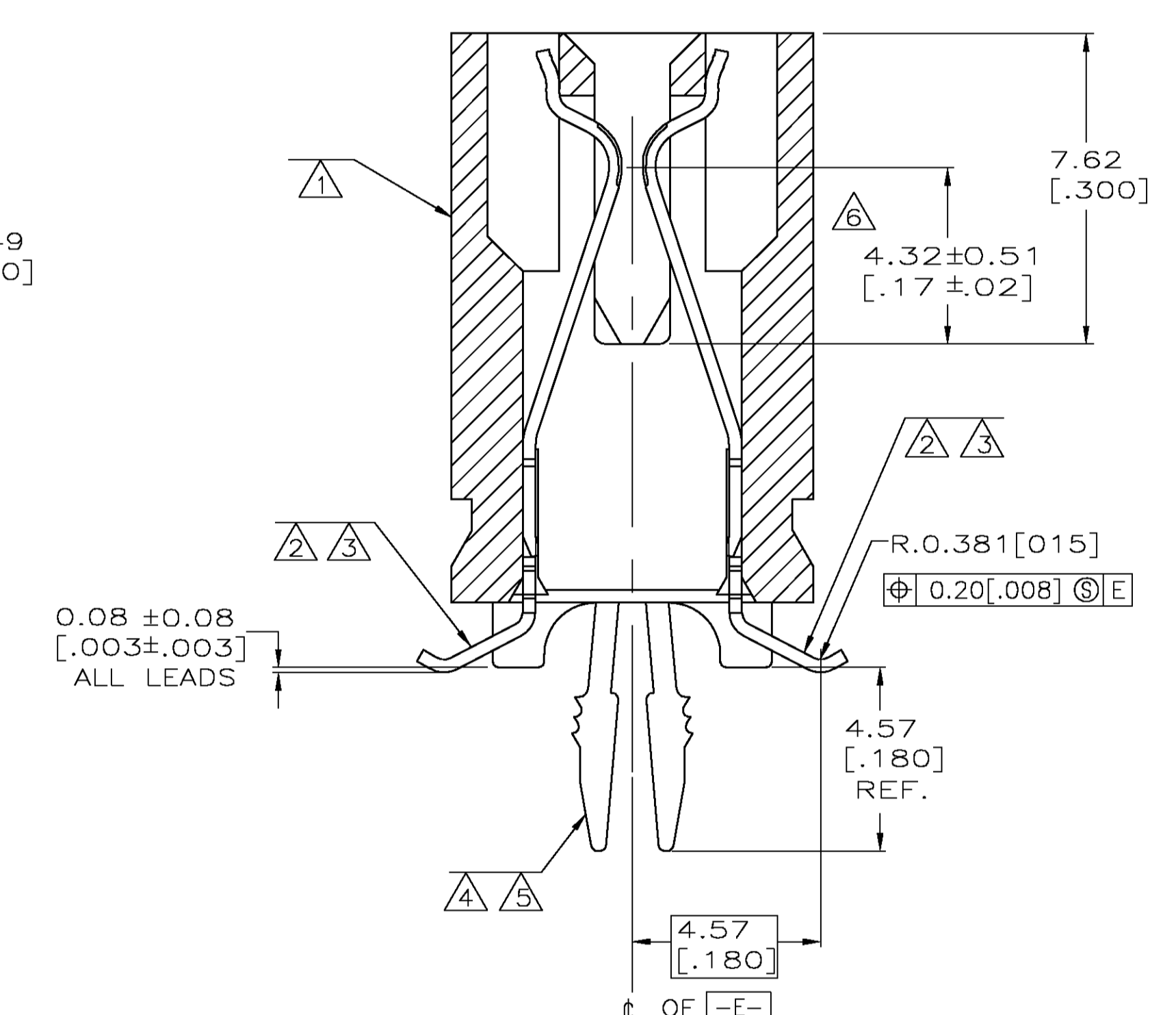
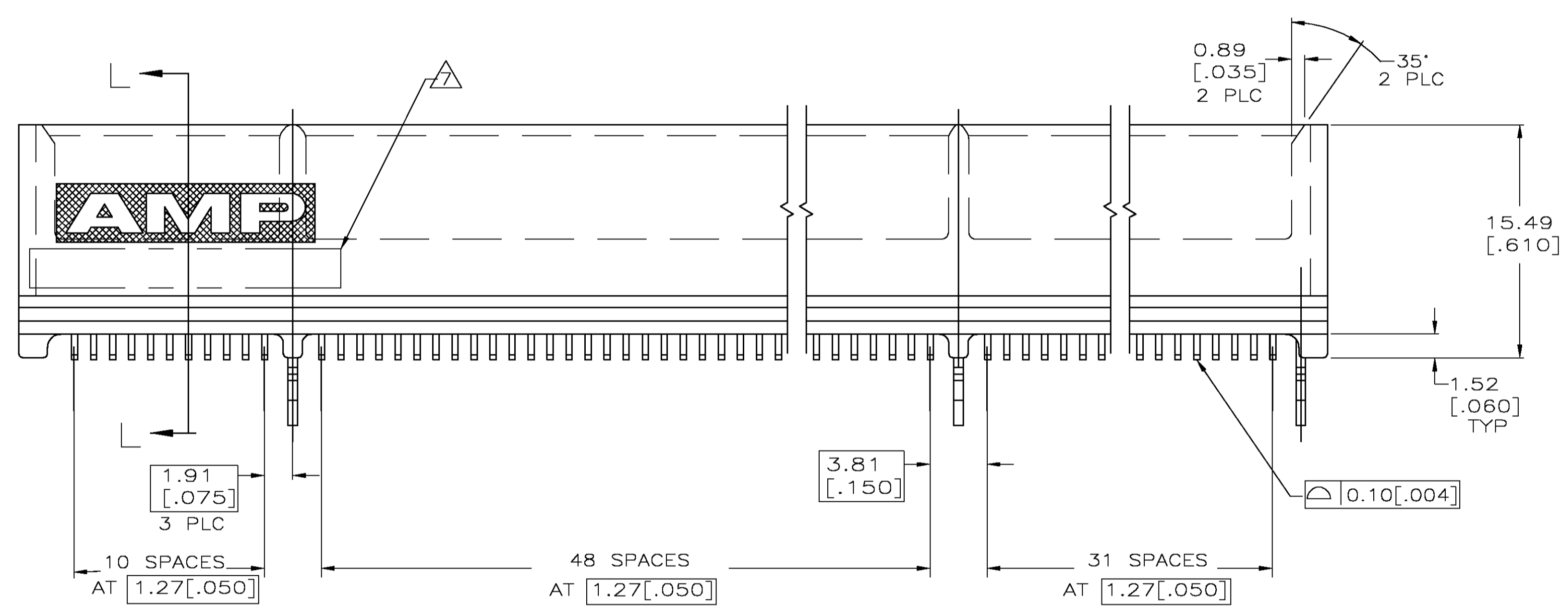
Email & Skype: info@chipsmall.com Web: www.chipsmall.com

Address: A1208, Overseas Decoration Building, #122 Zhenhua RD., Futian, Shenzhen, China



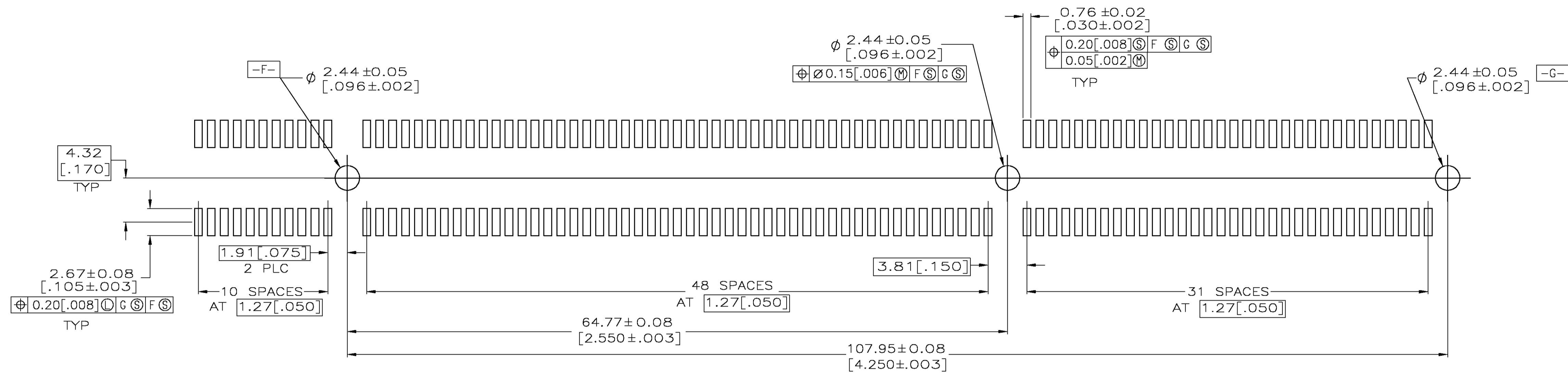


- ① HOUSING: HIGH TEMPERATURE THERMOPLASTIC.
- ② CONTACT: PHOSPHOR BRONZE.
- ③ CONTACT FINISH: 0.00254[.000100] MIN NICKEL UNDERPLATE, 0.000762[.000030] MIN GOLD OVER NICKEL IN CONTACT AREA, 0.00254[.000100] MIN MATTE TIN OVER NICKEL ON SOLDER TAILS.
- ④ METAL HOLD DOWN: BRASS
- ⑤ METAL HOLD DOWN FINISH: 0.00127[.000050] MIN NICKEL UNDERPLATE, 0.00381[.000150] MIN MATTE TIN ALL OVER.
- ⑥ DISTANCE FROM CONTACT POINT TO BOTTOM OF CARD SLOT.
- ⑦ AMP PART NUMBER, DATE CODE AND CSA LOGO MARKED IN APPROXIMATE AREA SHOWN.

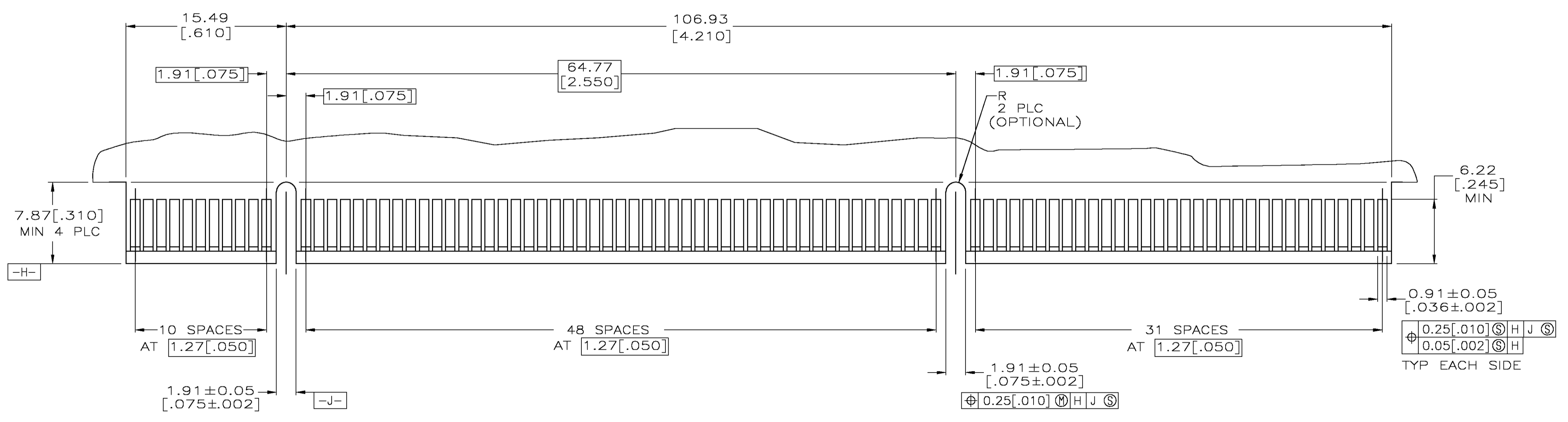


5145246-1 AS SHOWN

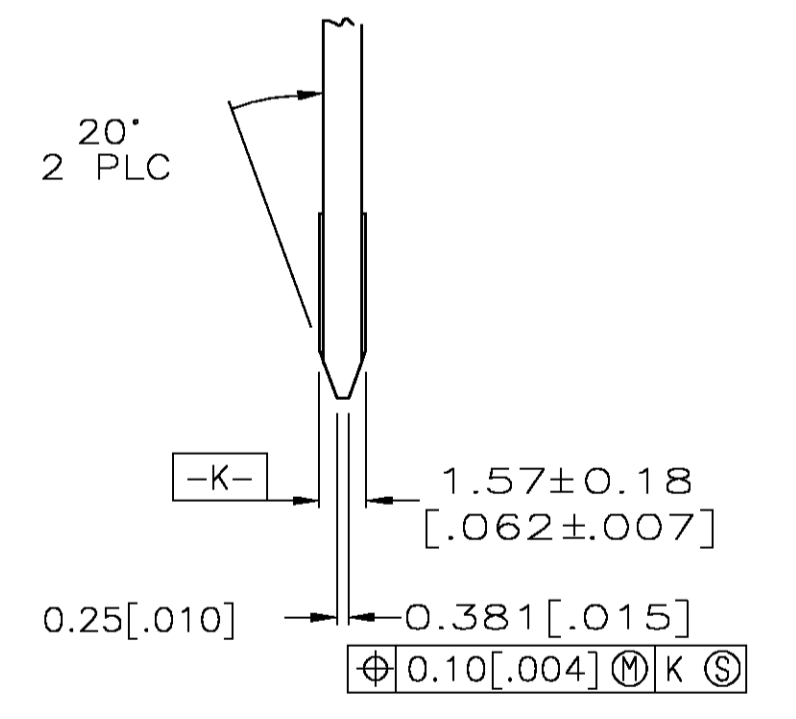
THIS DRAWING IS A CONTROLLED DOCUMENT.		DWN AL FRANTUM 19 APR 05	 Tyco Electronics Corporation Harrisburg, Pa 17105-3608
DIMENSIONS: mm		CHK AL FRANTUM 19 APR 05	
TOLERANCES UNLESS OTHERWISE SPECIFIED: 0 PLC ± - 1 PLC ± 0.3[.01] 2 PLC ± 0.13[.005] 3 PLC ± - 4 PLC ± - ANGLES ± - Z		APVD AL FRANTUM	NAME CONNECTOR ASSEMBLY, 92 DUAL POSITION, .050 SERIES, STANDARD EDGE SURFACE MOUNT
MATERIAL		FINISH	PRODUCT SPEC APPLICATION SPEC SIZE WEIGHT
CUSTOMER DRAWING		SCALE 4:1	RESTRICTED TO A1 00779 C=5145246 SHEET 1 OF 2 REV A



RECOMMENDED CONNECTOR MOUNTING HOLE PATTERN  
(CONNECTOR SIDE SHOWN)



RECOMMENDED MATING BOARD EDGE CONFIGURATION



THIS DRAWING IS A CONTROLLED DOCUMENT.		DWN AL FRANTUM 19 APR 05	 Tyco Electronics Corporation Harrisburg, Pa 17105-3608
DIMENSIONS: mm		CHK AL FRANTUM 19 APR 05	
TOLERANCES UNLESS OTHERWISE SPECIFIED: 0 PLC ± .01 1 PLC ± 0.3[01] 2 PLC ± 0.13[005] 3 PLC ± .01 4 PLC ± .01 ANGLES ± .2°		APVD	NAME
MATERIAL SEE SHEET 1		FINISH SEE SHEET 1	PRODUCT SPEC
WEIGHT		SIZE	CAGE CODE
CUSTOMER DRAWING		SCALE	DRAWING NO
		SHEET	RESTRICTED TO
		2 OF 2	A1 00779 C=5145246
		REV	A