



Chipsmall Limited consists of a professional team with an average of over 10 year of expertise in the distribution of electronic components. Based in Hongkong, we have already established firm and mutual-benefit business relationships with customers from,Europe,America and south Asia,supplying obsolete and hard-to-find components to meet their specific needs.

With the principle of “Quality Parts,Customers Priority,Honest Operation,and Considerate Service”,our business mainly focus on the distribution of electronic components. Line cards we deal with include Microchip,ALPS,ROHM,Xilinx,Pulse,ON,Everlight and Freescale. Main products comprise IC,Modules,Potentiometer,IC Socket,Relay,Connector.Our parts cover such applications as commercial,industrial, and automotives areas.

We are looking forward to setting up business relationship with you and hope to provide you with the best service and solution. Let us make a better world for our industry!



Contact us

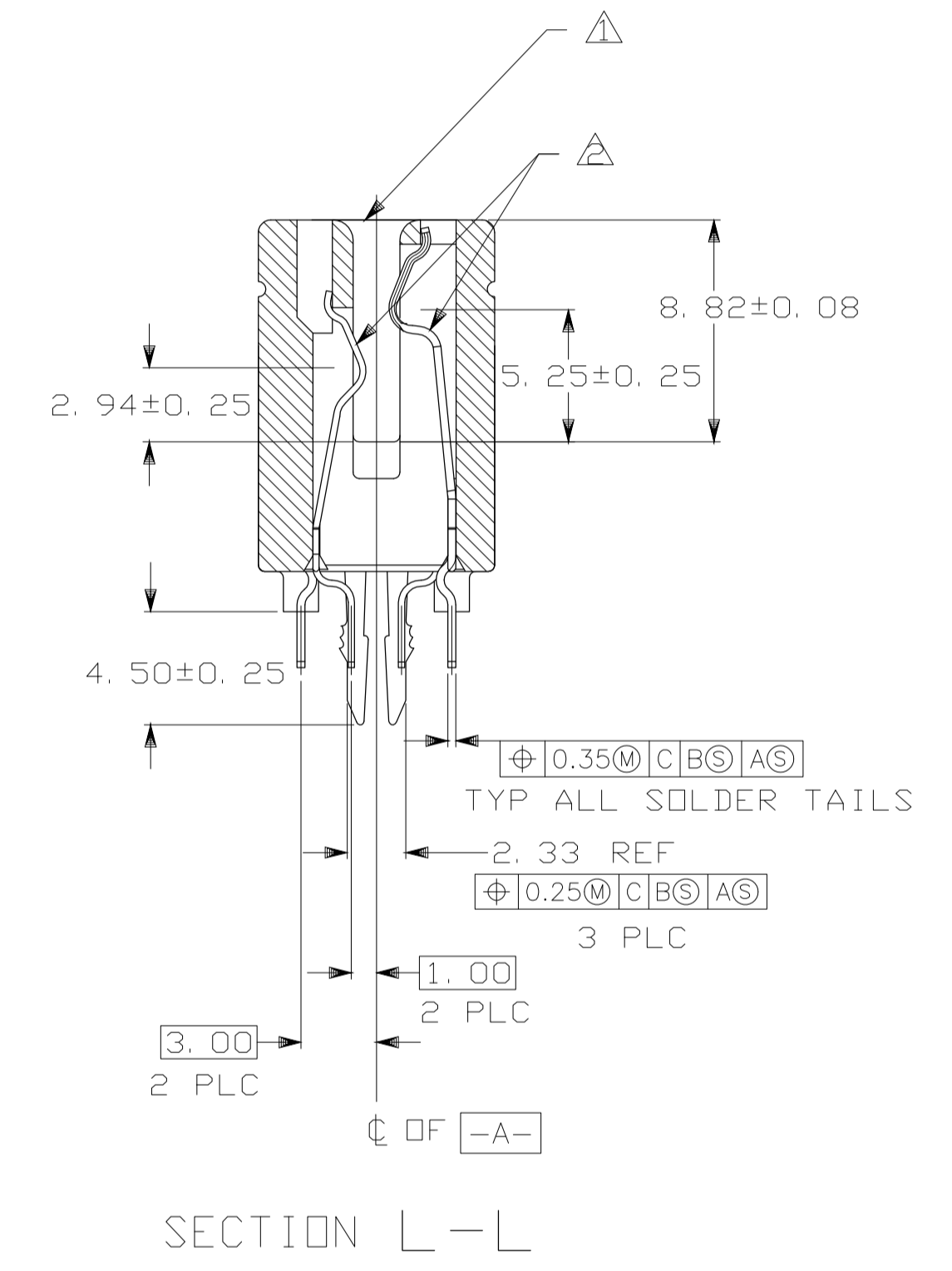
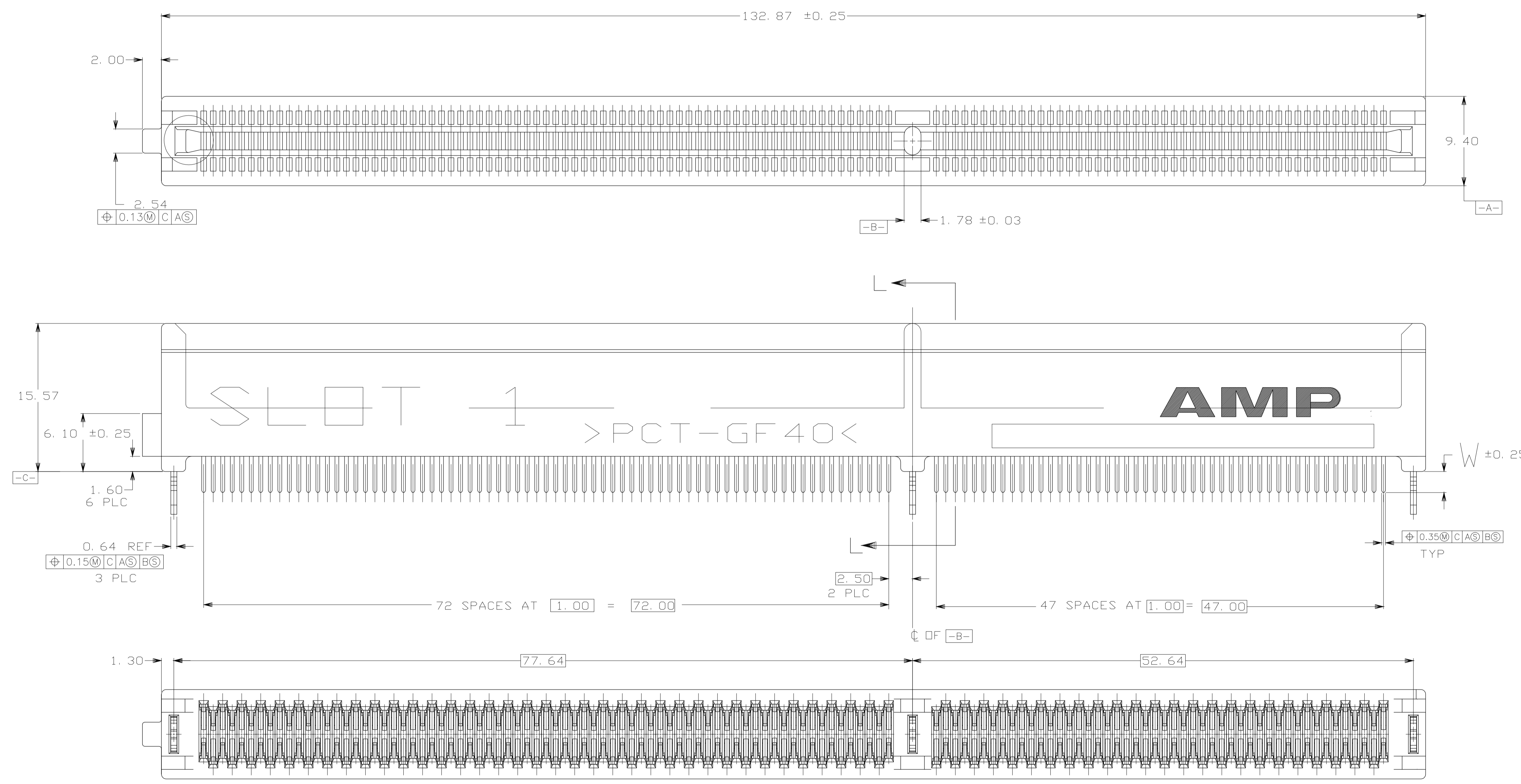
Tel: +86-755-8981 8866 Fax: +86-755-8427 6832

Email & Skype: info@chipsmall.com Web: www.chipsmall.com

Address: A1208, Overseas Decoration Building, #122 Zhenhua RD., Futian, Shenzhen, China



LOC		DIST		REVISIONS			
P	LTR	DESCRIPTION	DATE	DMN	APVD		
0		REVISED PER FB00-0246-04	21OCT04	L.Z	I.E		
01		REVISED PER ECO-10-000444	19JAN10	KK	HMR		

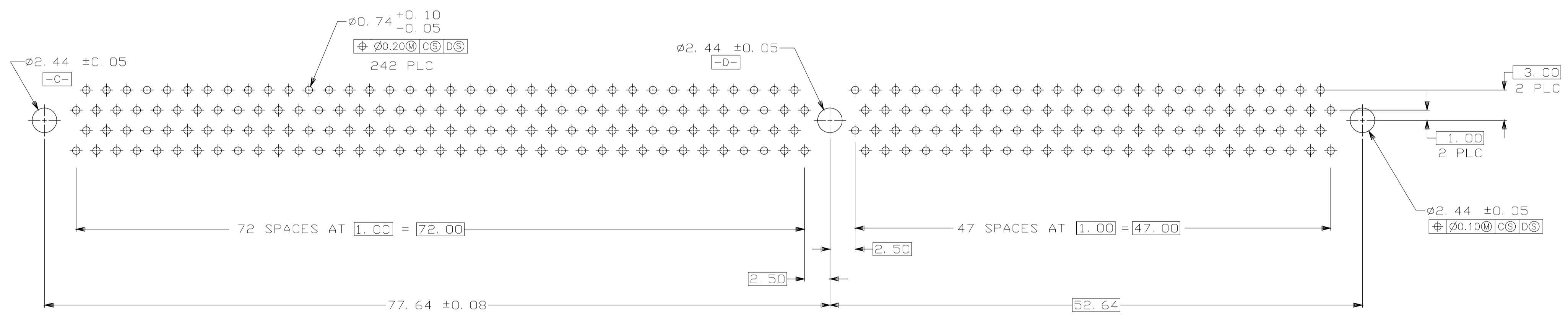
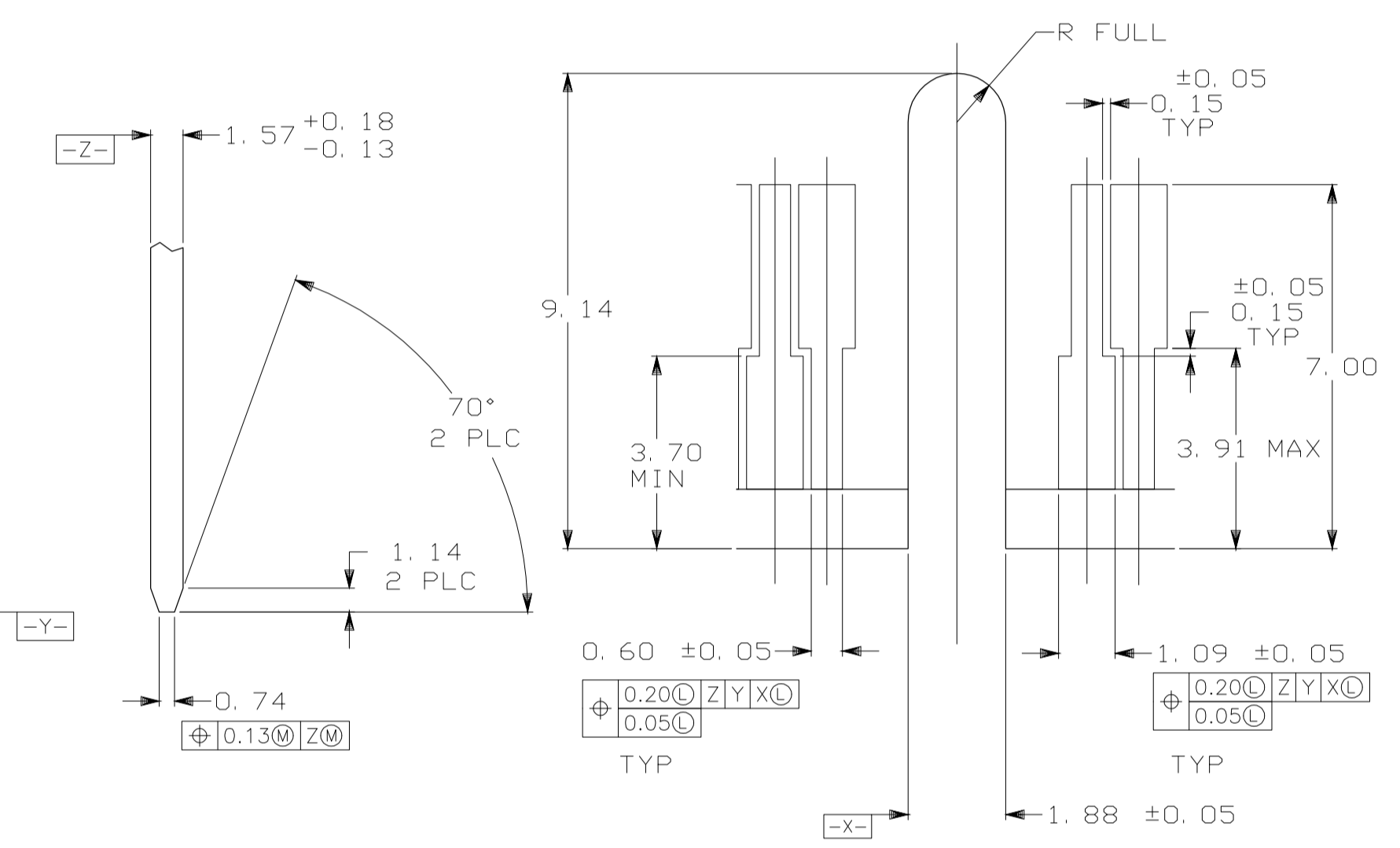
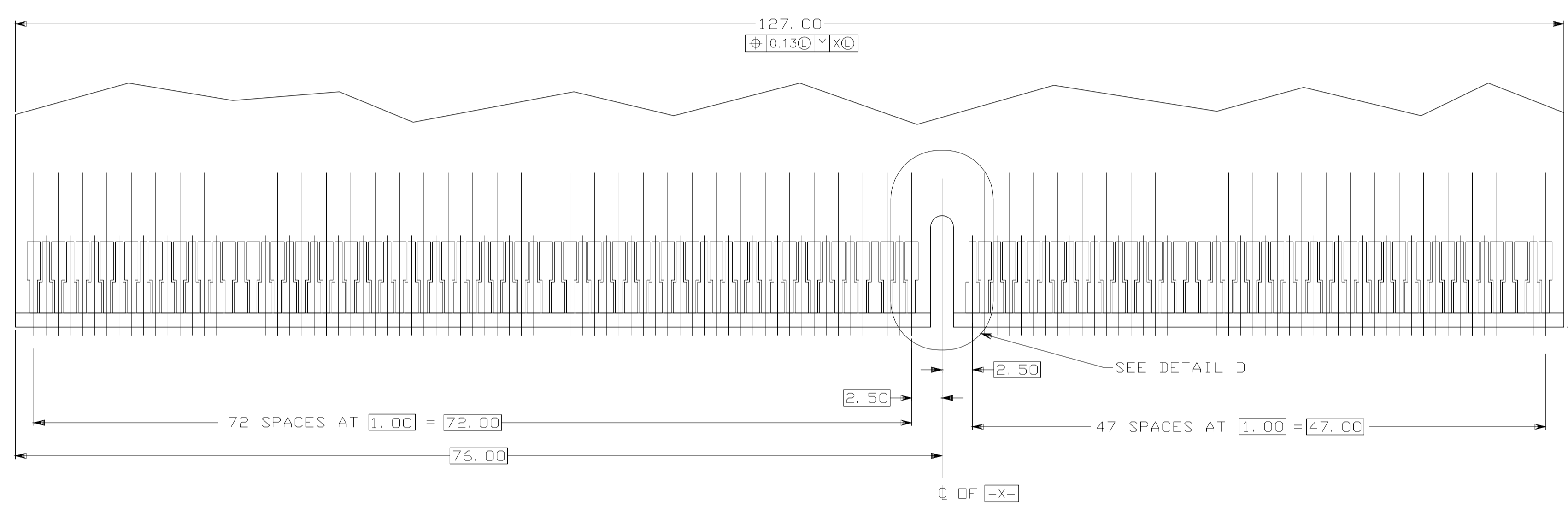
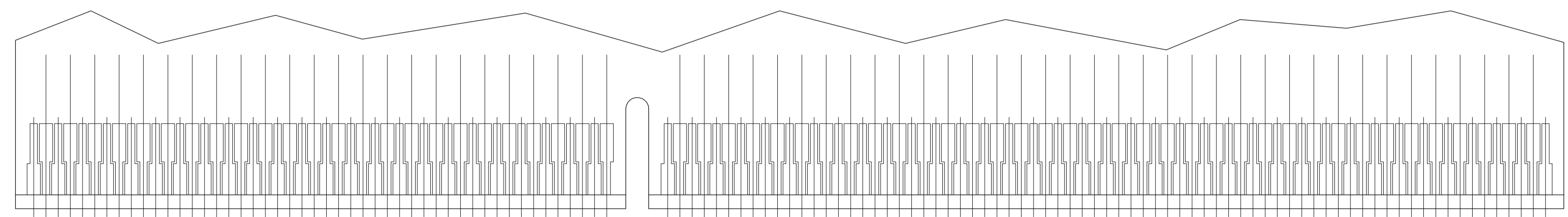


- △ MATERIAL: HOUSING, THERMOPLASTIC, COLOR: BROWN.
 CONTACTS, PHOSPHOR BRONZE.
 HOLD-DOWNS, BRASS.
- △ FINISH: CONTACTS, 1.27 MIN. MICROMETERS NICKEL ALL OVER,
 0.38 MIN. MICROMETERS GOLD OVER NICKEL IN CONTACT AREA,
- △ FINISH: 2.54 MIN MICROMETERS TIN OVER NICKEL ON SOLDER TAILS.
- △ FINISH: CONTACTS, 1.27 MIN. MICROMETERS NICKEL ALL OVER,
 0.0254-0.0762 MICROMETERS GOLD OVER NICKEL IN CONTACT AREA.
- △ OBSOLETE PARTS: OBSOLETE CIS STREAMLINING PER D. RENAUD/D. SINISI

LEAD FREE

REVISION	DATE	BY	CHKD	APPVD	DESCRIPTION
△	3.18				5145251-6
△	2.54				5145251-5
△	3.18				5145251-3
△	2.54				5145251-2
△	2.16				5145251-1
PLATING	W				PART NO

THIS DRAWING IS A CONTROLLED DOCUMENT.		DWG NO: LEO ZHOU 21OCT2004	Tyco Electronics Corporation	
DIMENSIONS: mm		CHK: STEVEN YAO 21OCT2004	SH/CN GuiPingRD 668#	
TOLERANCES UNLESS OTHERWISE SPECIFIED:		APPVD: IENOMOTO 21OCT2004	NAME: AMP, 1mm CENTERLINE STANDARD EDGE ASSEMBLY 242 POSITION	
0 PLC ± -	1 PLC ± -	SIZE: A1		
2 PLC ± 0.13	3 PLC ± -	CAGE CODE: 00779		
4 PLC ± -	ANGLES ± -	DRAWING NO: 5145251		
MATERIAL: -	FINISH: -	RESTRICTED TO: -		
RESTRICTED CUSTOMER		SCALE: 1:1 SHEET: 1 OF 2 REV: 01		



LEAD FREE

THIS DRAWING IS A CONTROLLED DOCUMENT.		DIN	21OCT2004	Tyco Electronics Corporation
		LEO ZHOU	21OCT2004	
		CHK	21OCT2004	SH/CN GuiPingRD 668#
		APVD	20OCT2004	
		NAME	AMP, 1mm CENTERLINE STANDARD EDGE ASSEMBLY 242 POSITION	
		PRODUCT SPEC		
		APPLICATION SPEC		
		SIZE	CAGE CODE	DRAWING NO
		WEIGHT	A1 00779	C=5145251
		CUSTOMER DRAWING	SCALE 1:1	SHEET 2 OF 2 REV 01