



Chipsmall Limited consists of a professional team with an average of over 10 year of expertise in the distribution of electronic components. Based in Hongkong, we have already established firm and mutual-benefit business relationships with customers from,Europe,America and south Asia,supplying obsolete and hard-to-find components to meet their specific needs.

With the principle of “Quality Parts,Customers Priority,Honest Operation,and Considerate Service”,our business mainly focus on the distribution of electronic components. Line cards we deal with include Microchip,ALPS,ROHM,Xilinx,Pulse,ON,Everlight and Freescale. Main products comprise IC,Modules,Potentiometer,IC Socket,Relay,Connector.Our parts cover such applications as commercial,industrial, and automotives areas.

We are looking forward to setting up business relationship with you and hope to provide you with the best service and solution. Let us make a better world for our industry!



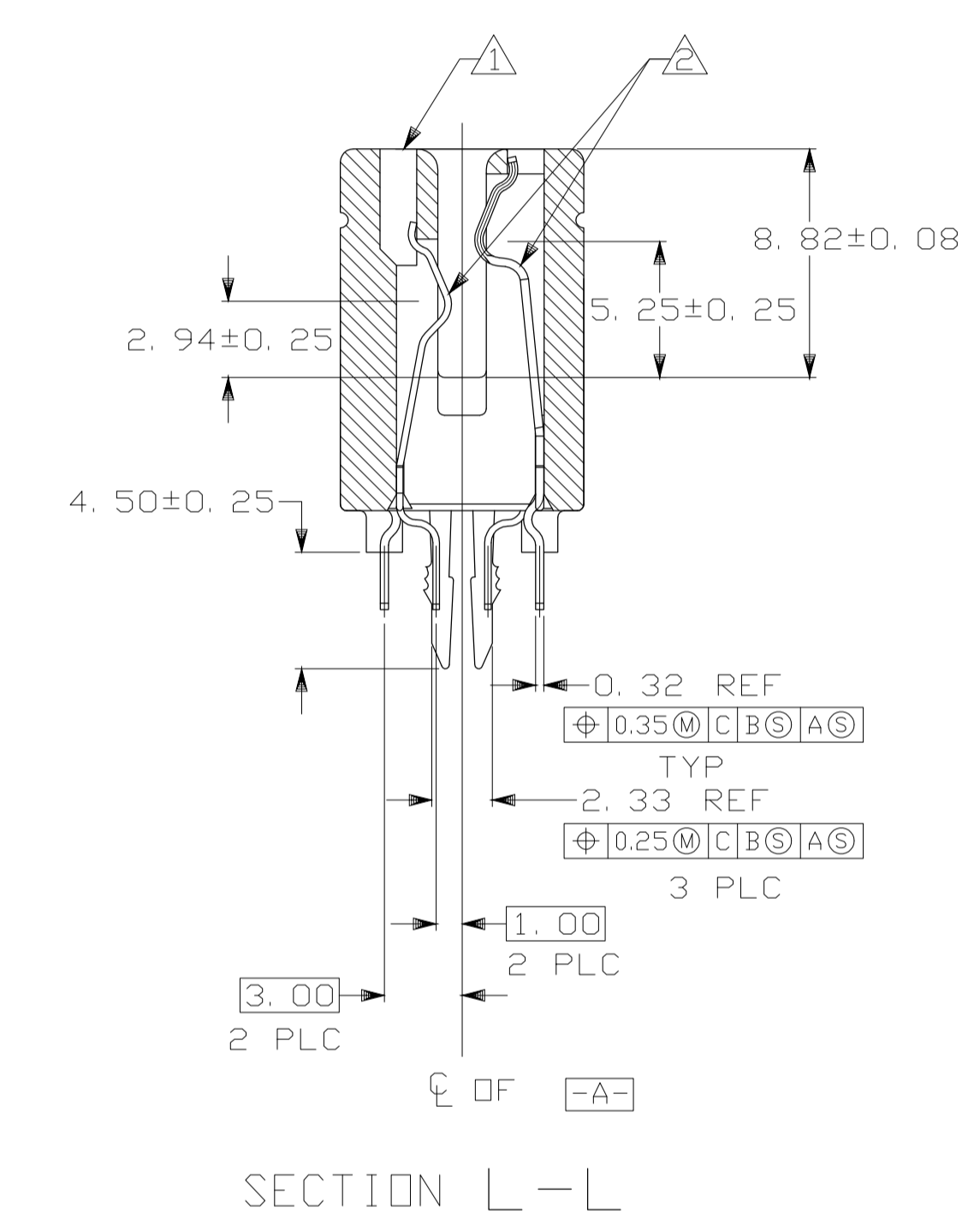
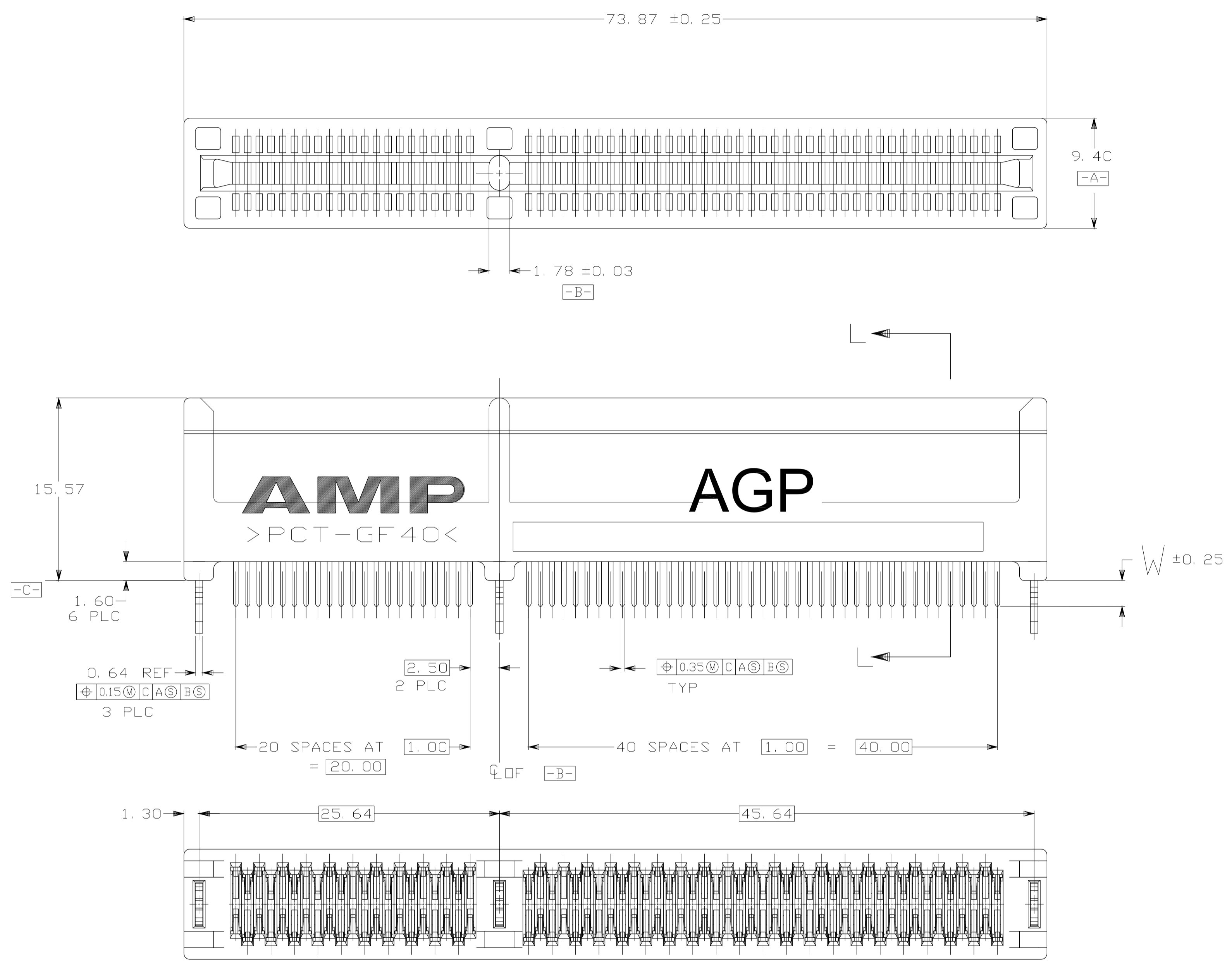
## Contact us

Tel: +86-755-8981 8866 Fax: +86-755-8427 6832

Email & Skype: info@chipsmall.com Web: www.chipsmall.com

Address: A1208, Overseas Decoration Building, #122 Zhenhua RD., Futian, Shenzhen, China

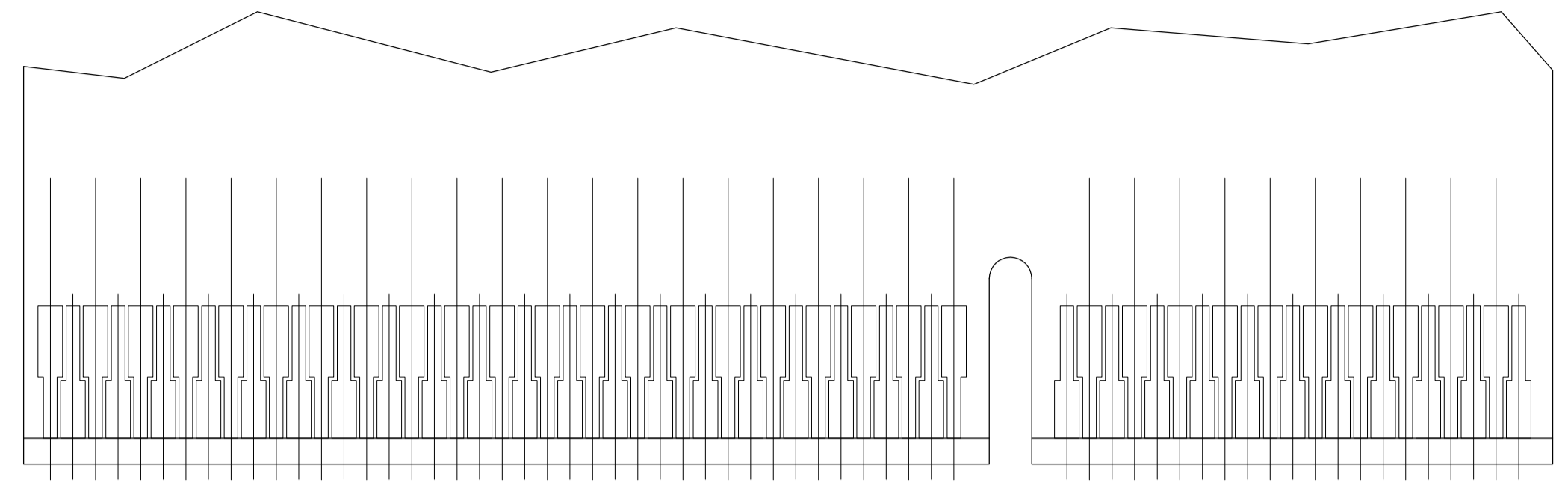




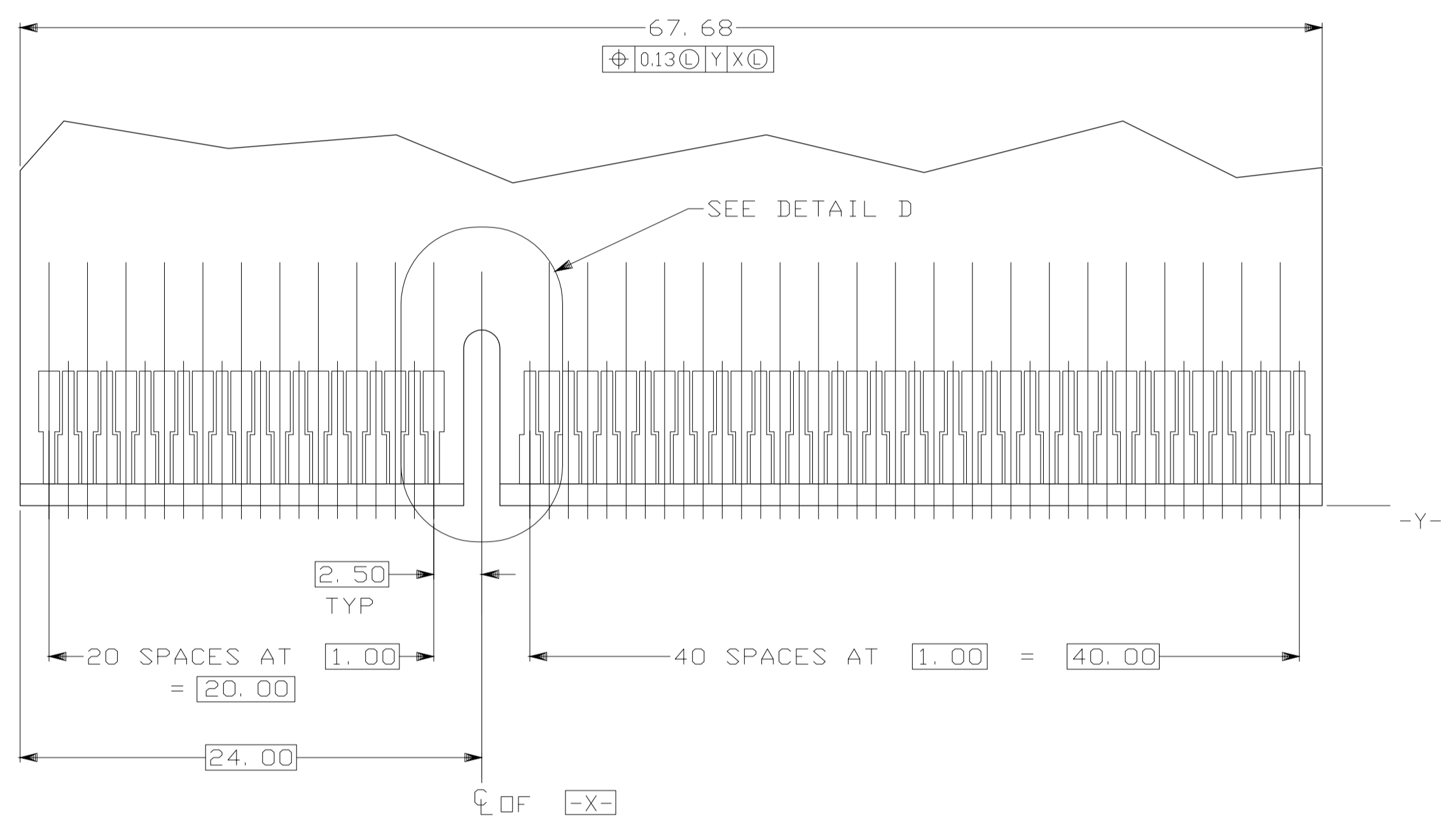
- ① MATERIAL: HOUSING, THERMOPLASTIC, COLOR: BROWN.  
CONTACTS, PHOSPHOR BRONZE.  
HOLD-DOWNS, BRASS.
- ② FINISH: CONTACTS, 1.27 MIN. MICROMETERS NICKEL ALL OVER,  
0.38 MIN. MICROMETERS GOLD OVER NICKEL IN CONTACT AREA,  
2.54 MIN MICROMETERS TIN OVER NICKEL ON SOLDER TAILS.
- ③ FINISH: CONTACTS, 1.27 MIN. MICROMETERS NICKEL ALL OVER,  
0.0254-0.0762 MICROMETERS GOLD OVER NICKEL IN CONTACT AREA.  
2.54 MIN. MICROMETERS TIN OVER NICKEL ON SOLDER TAILS.
- ④ FINISH: CONTACTS, 1.27 MIN. MICROMETERS NICKEL ALL OVER,  
0.38 MIN. MICROMETERS GOLD OVER NICKEL IN CONTACT AREA,  
0.05-0.15 MICROMETERS GOLD OVER NICKEL ON CONTACT SOLDER TAILS.

VERGIN MATERIAL FOR HOUSING	②	2.54	5145263-8
	④	2.54	5145263-7
	③	3.18	5145263-6
	②	2.54	5145263-5
	②	3.18	5145263-3
	②	2.54	5145263-2
	②	2.16	5145263-1
PLATING	W		PART NO

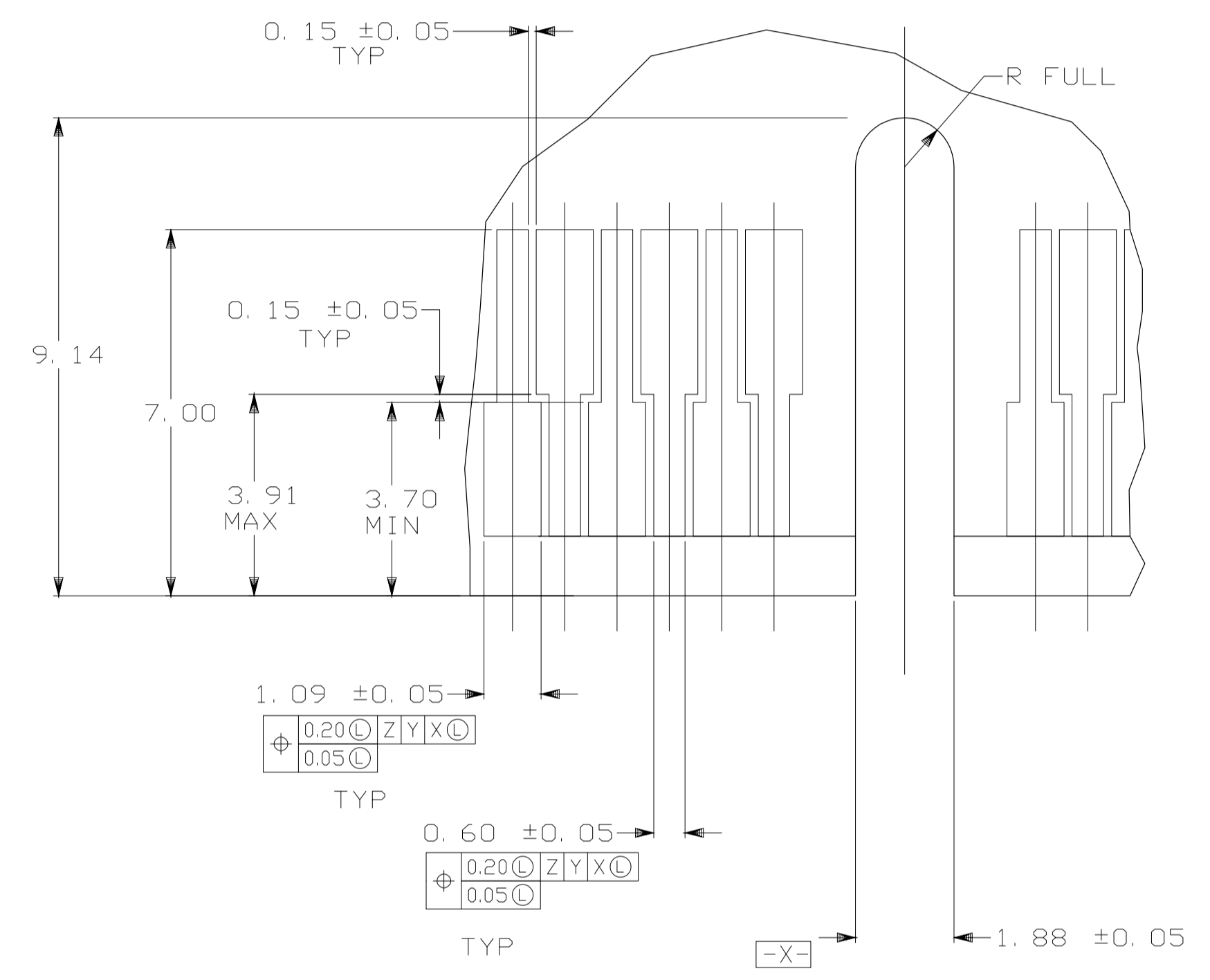
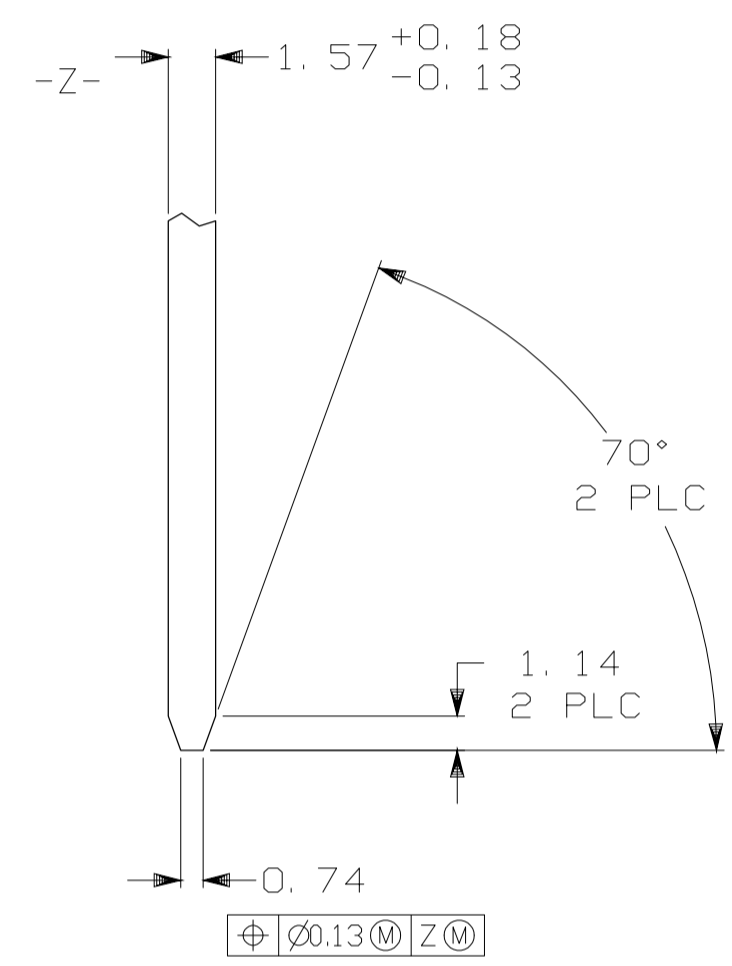
THIS DRAWING IS A CONTROLLED DOCUMENT.		DMN: GAVIN ZHANG 23NOV04	Tyco Electronics Corporation Shanghai, P.R.China, 200233
		CHK: STEVEN YAO 23NOV04	
DIMENSIONS: mm	TOLERANCES UNLESS OTHERWISE SPECIFIED:	APVD: ENOMOTO 23NOV04	NAME: ASSEMBLY, 124 POSITION 1mm, CARD EDGE CONNECTOR
0 PLC ± -	1 PLC ± -	PRODUCT SPEC	
2 PLC ± 0.13	3 PLC ± -	APPLICATION SPEC	
4 PLC ± -	ANGLES ± °	SIZE: A1	CAGE CODE: 00779
MATERIAL: ①	FINISH: ②③	WEIGHT: -	DRAWING NO: 5145263
CUSTOMER DRAWING		SCALE: 4:1	SHEET: 1 OF 2



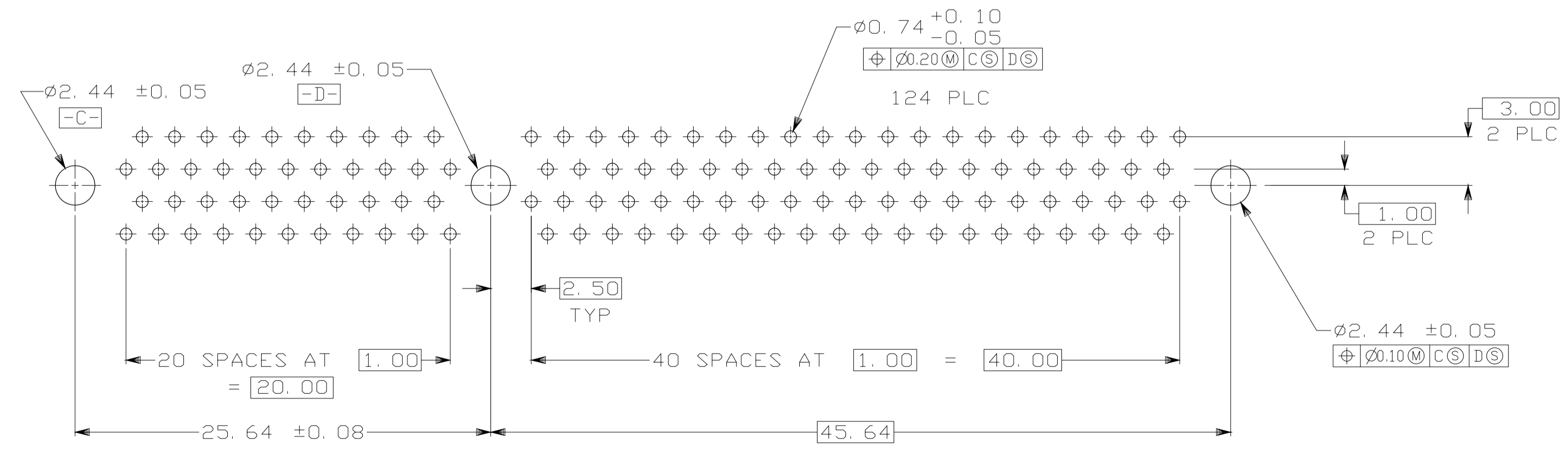
RECOMMENDED CONNECTOR MATING PAD PATTERN  
 (SECONDARY SIDE SHOWN)



RECOMMENDED CONNECTOR MATING PAD PATTERN  
 (PRIMARY SIDE SHOWN)



DETAIL D  
 SCALE 10:1



RECOMMENDED CONNECTOR MOUNTING HOLE PATTERN  
 (CONNECTOR SIDE SHOWN)

THIS DRAWING IS A CONTROLLED DOCUMENT.		DN GAVIN ZHANG 23NOV04	Tyco Electronics Tyco Electronics Corporation Shanghai, P.R.China, 200233															
DIMENSIONS: mm		CHK STEVEN YAO 23NOV04																
TOLERANCES UNLESS OTHERWISE SPECIFIED:		APVD J. ENOMOTO 23NOV04	NAME ASSEMBLY, 124 POSITION 1mm, CARD EDGE CONNECTOR															
<table border="1"> <tr><td>0 PLC</td><td>±</td><td>-</td></tr> <tr><td>1 PLC</td><td>±</td><td>-</td></tr> <tr><td>2 PLC</td><td>±</td><td>0.13</td></tr> <tr><td>3 PLC</td><td>±</td><td>-</td></tr> <tr><td>4 PLC</td><td>±</td><td>-</td></tr> </table>		0 PLC	±	-	1 PLC	±	-	2 PLC	±	0.13	3 PLC	±	-	4 PLC	±	-	APPLICATION SPEC	SIZE A1
0 PLC	±	-																
1 PLC	±	-																
2 PLC	±	0.13																
3 PLC	±	-																
4 PLC	±	-																
MATERIAL		WEIGHT	CAGE CODE 00779															
FINISH		CUSTOMER DRAWING	DRAWING NO 5145263															
		SCALE 4:1	SHEET 2 OF 2															
		REV A1																