



Chipsmall Limited consists of a professional team with an average of over 10 year of expertise in the distribution of electronic components. Based in Hongkong, we have already established firm and mutual-benefit business relationships with customers from,Europe,America and south Asia,supplying obsolete and hard-to-find components to meet their specific needs.

With the principle of “Quality Parts,Customers Priority,Honest Operation,and Considerate Service”,our business mainly focus on the distribution of electronic components. Line cards we deal with include Microchip,ALPS,ROHM,Xilinx,Pulse,ON,Everlight and Freescale. Main products comprise IC,Modules,Potentiometer,IC Socket,Relay,Connector.Our parts cover such applications as commercial,industrial, and automotives areas.

We are looking forward to setting up business relationship with you and hope to provide you with the best service and solution. Let us make a better world for our industry!



## Contact us

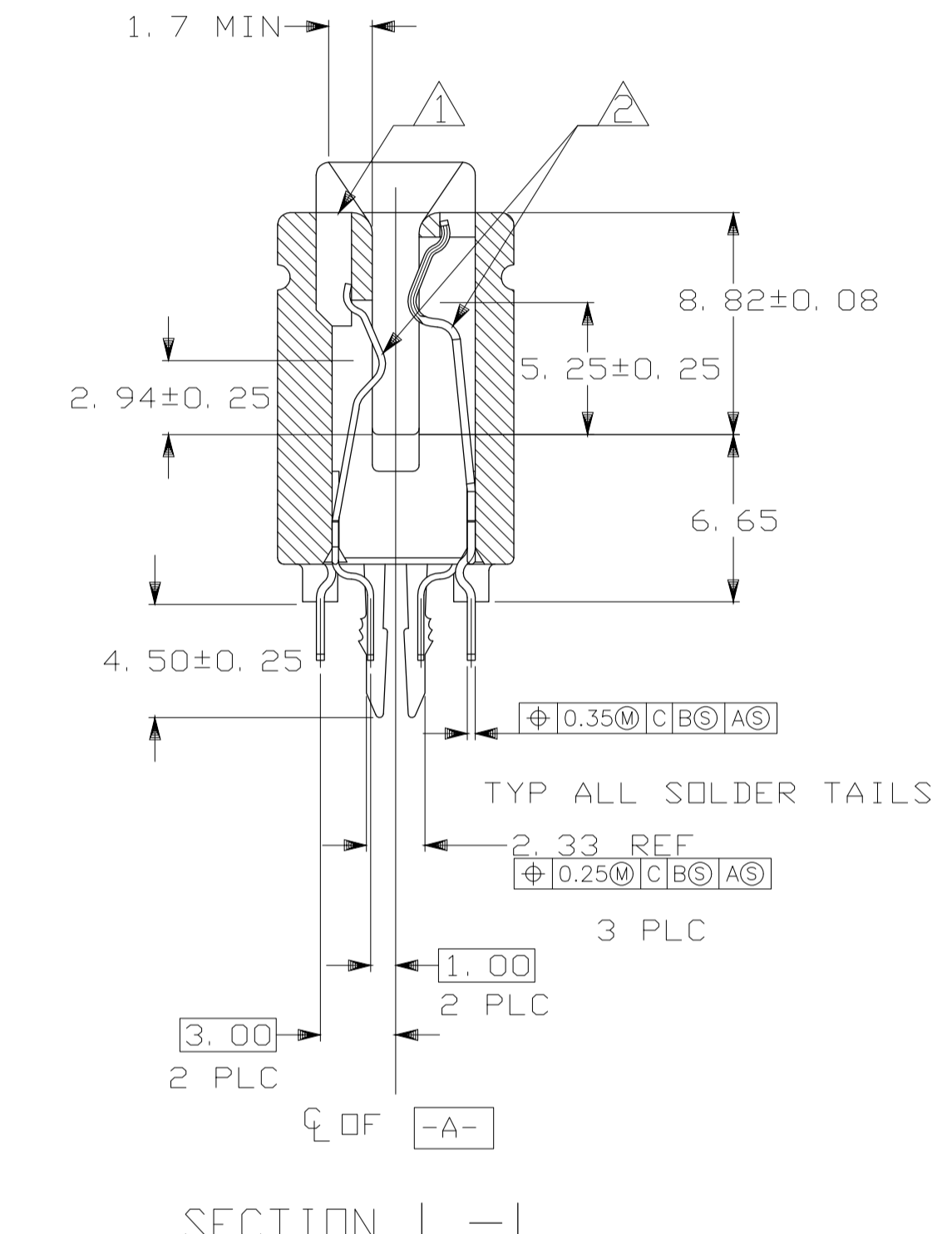
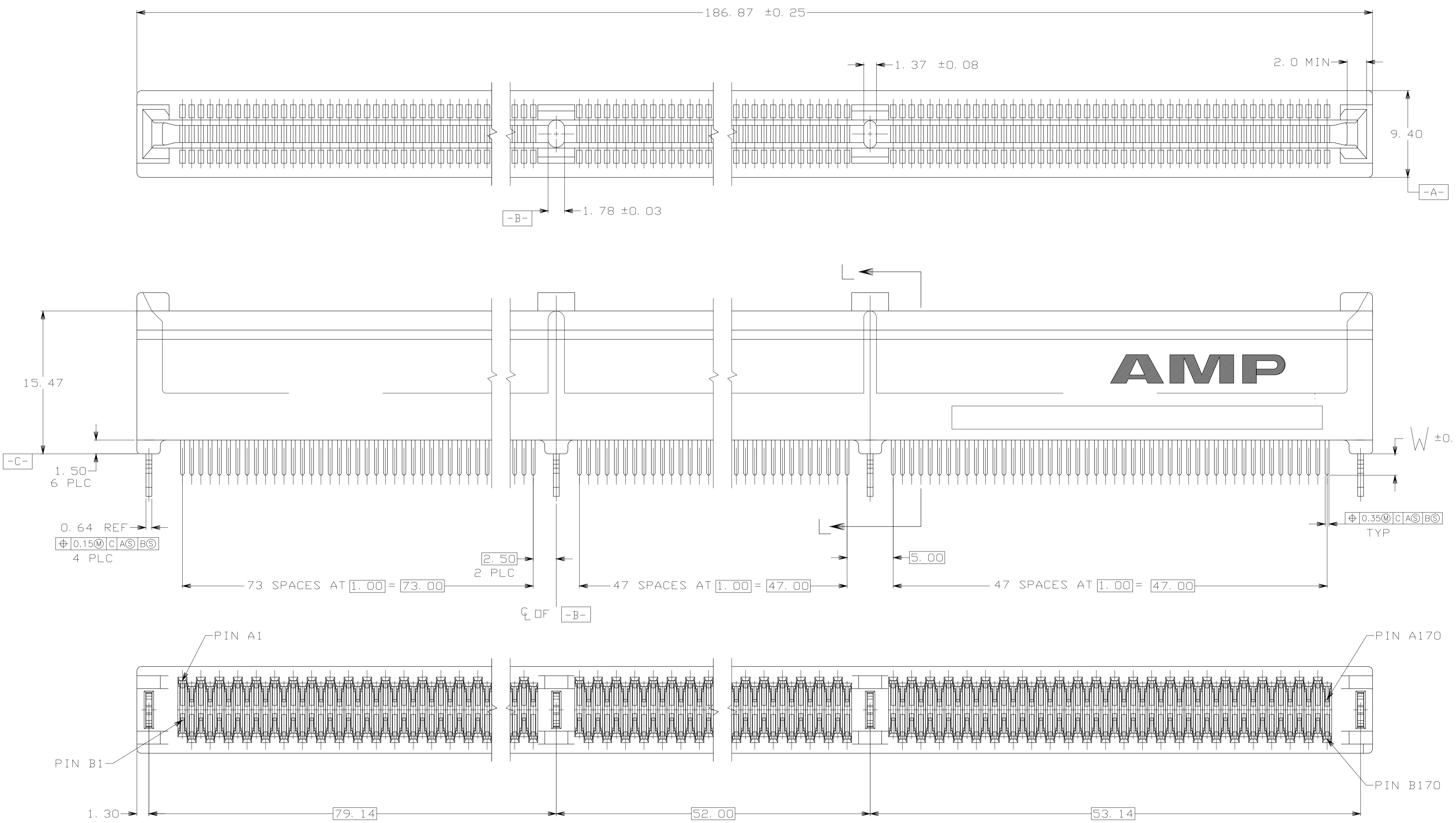
Tel: +86-755-8981 8866 Fax: +86-755-8427 6832

Email & Skype: info@chipsmall.com Web: www.chipsmall.com

Address: A1208, Overseas Decoration Building, #122 Zhenhua RD., Futian, Shenzhen, China



LOC		DIST		REVISIONS			
P	LTR	DESCRIPTION	DATE	DMN	APVD		
0		RELEASED ECR-05-003216	22MAR05	G.Z.	I.E.		
01		REVISED PER ECO-10-000444	19JAN10	KK	HMR		



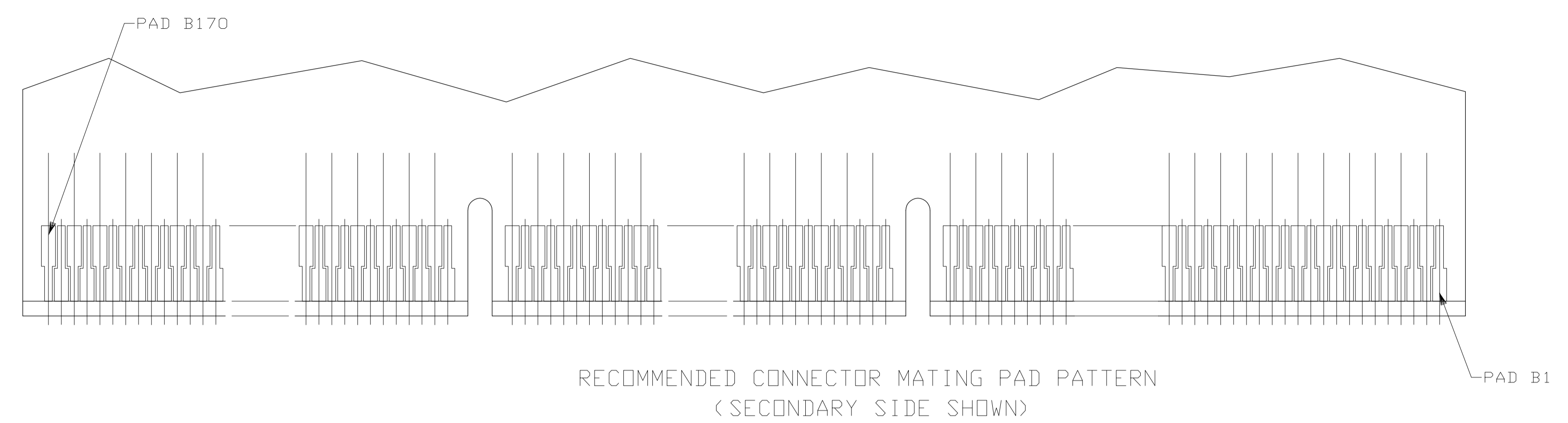
- ⚠ MATERIAL: HOUSING, THERMOPLASTIC, COLOR: BROWN.  
CONTACTS, PHOSPHOR BRONZE.  
HOLD-DOWNS, BRASS.
- ⚠ FINISH: CONTACTS, 1.27 MIN. MICROMETERS NICKEL ALL OVER,  
0.38 MIN. MICROMETERS GOLD OVER NICKEL IN CONTACT AREA,  
2.54 MIN MICROMETERS TIN OVER NICKEL ON SOLDER TAILS.
- ⚠ FINISH: CONTACTS, 1.27 MIN. MICROMETERS NICKEL ALL OVER,  
0.0254-0.0762 MICROMETERS GOLD OVER NICKEL IN CONTACT AREA.  
2.54 MIN. MICROMETERS TIN OVER NICKEL ON SOLDER TAILS.
- ⚠ OBSOLETE PARTS: OBSOLETE CIS STREAMLINING PER D. RENAUD/D. SINISI

OBSOLETE	3.18	5145275-6
	2.54	5145275-5
	3.18	5145275-3
	2.54	5145275-2
	2.16	5145275-1
PLATING	W	PART NO

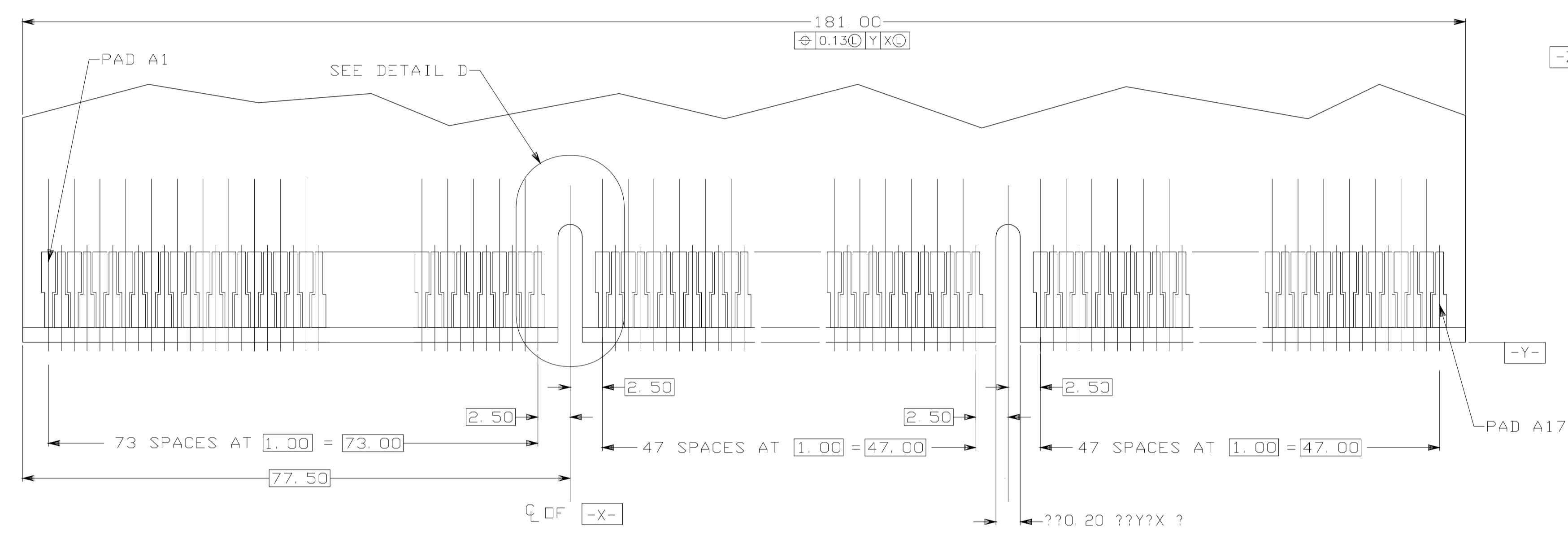
THIS DRAWING IS A CONTROLLED DOCUMENT.

DIMENSIONS:	TOLERANCES UNLESS OTHERWISE SPECIFIED:	DMN	22MAR05	Tyco Electronics Corporation Shanghai, P.R.China, 200233
mm	0 PLC ± - 1 PLC ± - 2 PLC ± 0.13 3 PLC ± 0.013 4 PLC ± - ± Z ANGLES ± - ± Z	CHK	22MAR05	
MATERIAL	FINISH	APVD	22MAR05	NAME
△	△ △	GAVIN ZHANG		STEVEN YAO
CUSTOMER DRAWING		SIZE		ASSEMBLY, 340 POSITION 1mm, CARD EDGE CONNECTOR
		A1 00779		RESTRICTED TO
		SCALE 4:1		REV 01

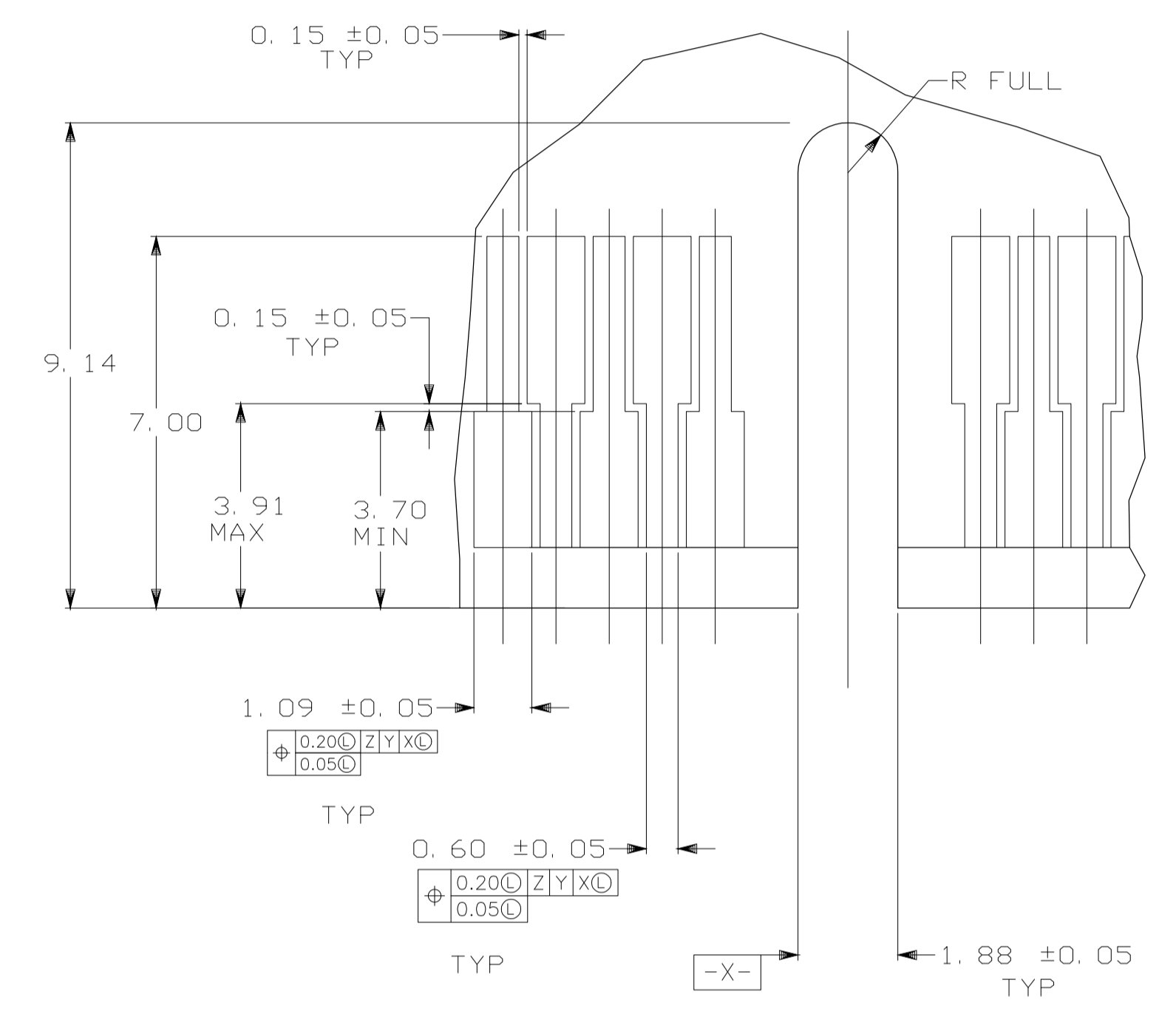
LOC		DIST		REVISIONS			
P	LTR	DESCRIPTION	DATE	DNW	APVD		
-	-	SEE SHEET 1/2	-	-	-	-	-



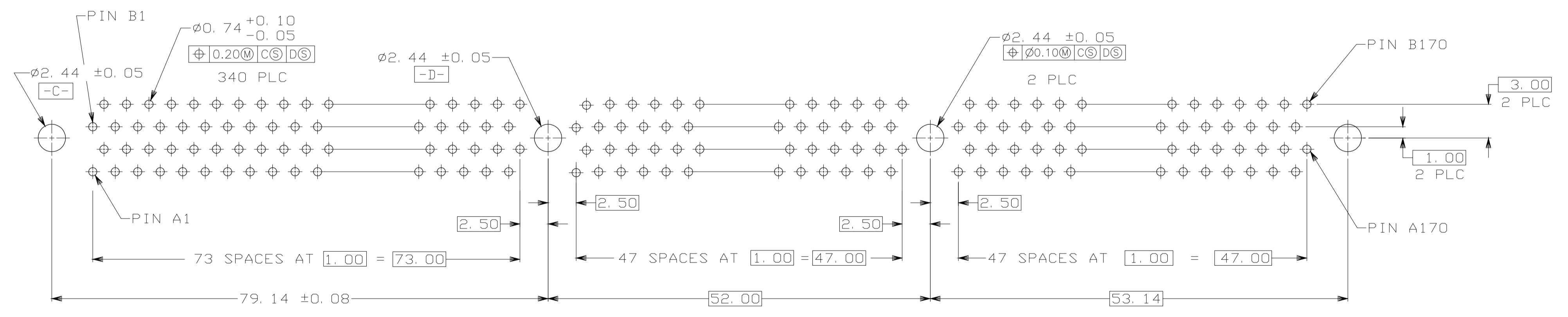
RECOMMENDED CONNECTOR MATING PAD PATTERN  
 (SECONDARY SIDE SHOWN)



RECOMMENDED CONNECTOR MATING PAD PATTERN  
 (PRIMARY SIDE SHOWN)



DETAIL D  
 SCALE 10:1



RECOMMENDED CONNECTOR MOUNTING HOLE PATTERN  
 (CONNECTOR SIDE SHOWN)

THIS DRAWING IS A CONTROLLED DOCUMENT.		DWG: GAVIN_ZHANG 22MAR05		Tyco Electronics Tyco Electronics Corporation	
DIMENSIONS: mm		CHK: STEVEN YAO 22MAR05		Shanghai, P.R.China, 200233	
TOLERANCES UNLESS OTHERWISE SPECIFIED:		APPD: IENOMOTO 22MAR05		NAME: ASSEMBLY, 340 POSITION	
0 PLC ± -		PRODUCT SPEC		1mm, CARD EDGE CONNECTOR	
1 PLC ± -		APPLICATION SPEC		SIZE: A1	
2 PLC ± 0.13		WEIGHT: -		CAGE CODE: 00779	
3 PLC ± -		CUSTOMER DRAWING		DRAWING NO: 5145275	
4 PLC ± -		SCALE: 4:1		SHEET 2 OF 2	
ANGLES ± 2'		REV: 01			