



Chipsmall Limited consists of a professional team with an average of over 10 year of expertise in the distribution of electronic components. Based in Hongkong, we have already established firm and mutual-benefit business relationships with customers from,Europe,America and south Asia,supplying obsolete and hard-to-find components to meet their specific needs.

With the principle of “Quality Parts,Customers Priority,Honest Operation,and Considerate Service”,our business mainly focus on the distribution of electronic components. Line cards we deal with include Microchip,ALPS,ROHM,Xilinx,Pulse,ON,Everlight and Freescale. Main products comprise IC,Modules,Potentiometer,IC Socket,Relay,Connector.Our parts cover such applications as commercial,industrial, and automotives areas.

We are looking forward to setting up business relationship with you and hope to provide you with the best service and solution. Let us make a better world for our industry!



## Contact us

Tel: +86-755-8981 8866 Fax: +86-755-8427 6832

Email & Skype: info@chipsmall.com Web: www.chipsmall.com

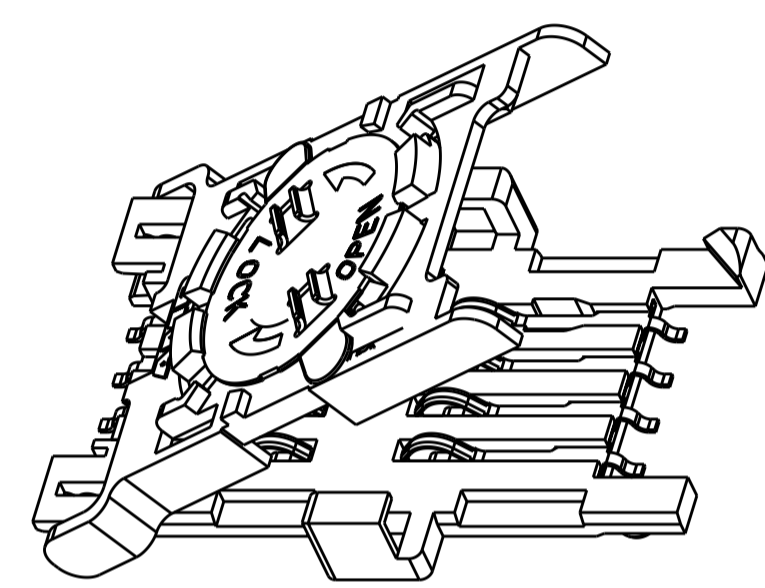
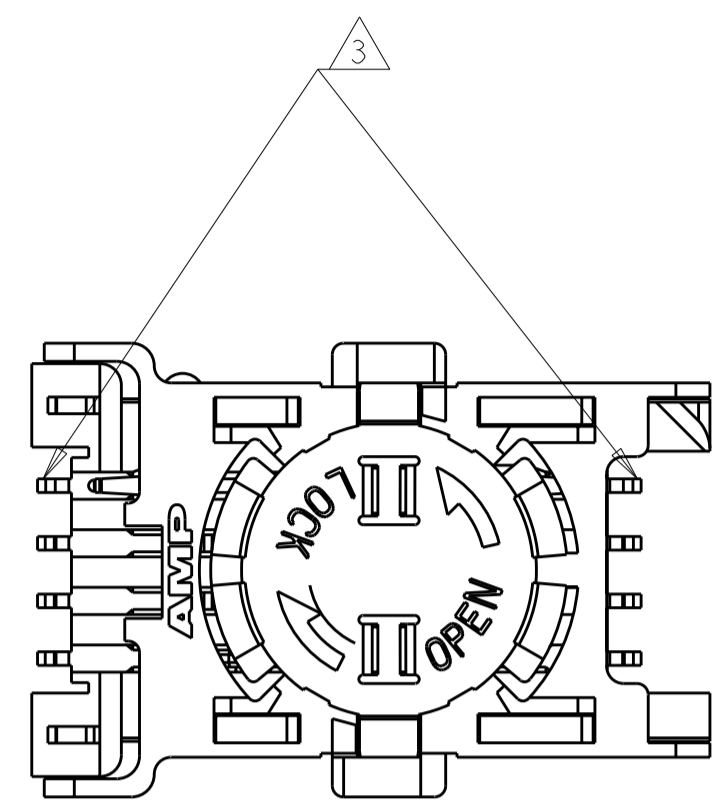
Address: A1208, Overseas Decoration Building, #122 Zhenhua RD., Futian, Shenzhen, China



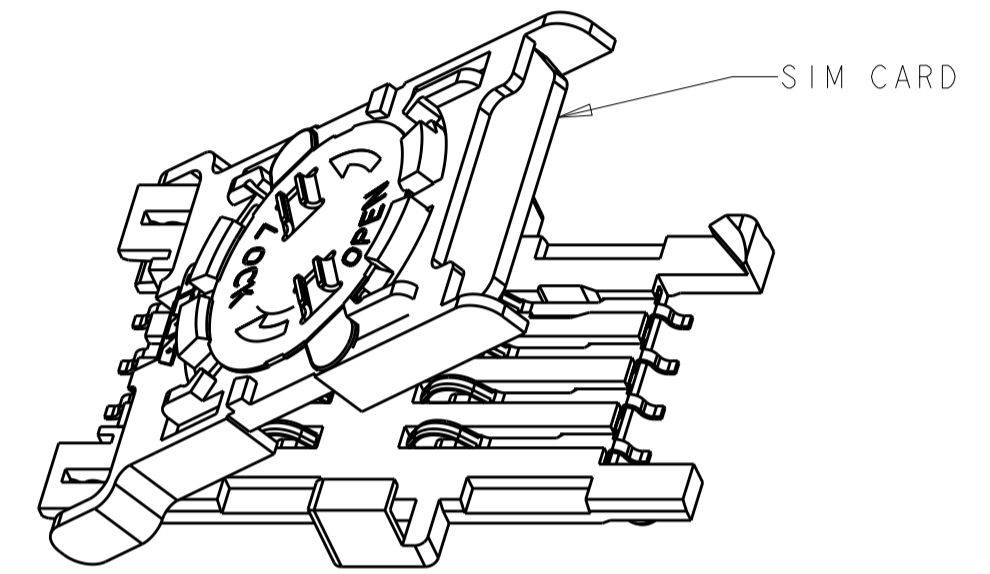
THIS DRAWING IS UNPUBLISHED. RELEASED FOR PUBLICATION 20  
 © COPYRIGHT 20 BY - ALL RIGHTS RESERVED.

LOC	DIST	REVISIONS					
GP	00	P	LTR	DESCRIPTION	DATE	DWN	APVD
		P		REVISED PER ECO-11-005027	16MAR2011	RK	HMR

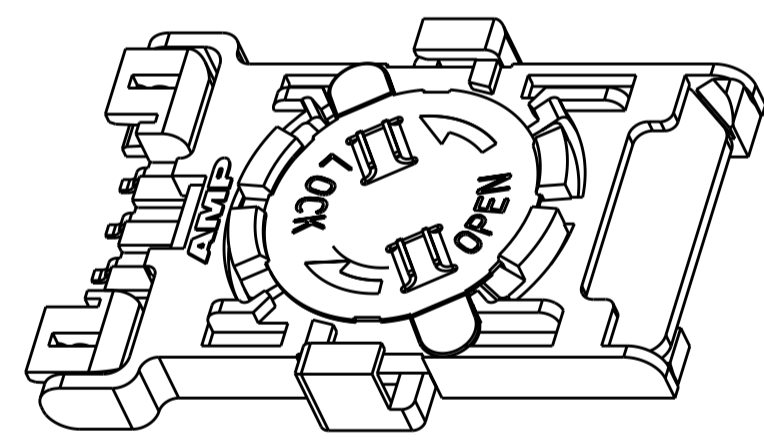
- ① HOUSING: THERMOPLASTIC, CONTACTS: PHOSPHOR BRONZE, LOCKING DISK: STAINLESS STEEL.
- ② CONTACTS: GOLD PLATE ON MATING SURFACE, TIN ON SOLDER TAIL, ALL OVER NICKEL UNDERPLATE.
- ③ CARD DETECTOR SWITCH CONTACTS IF APPLICABLE.
- ④ DATUMS AND DIMENSIONS ESTABLISHED BY CUSTOMER.



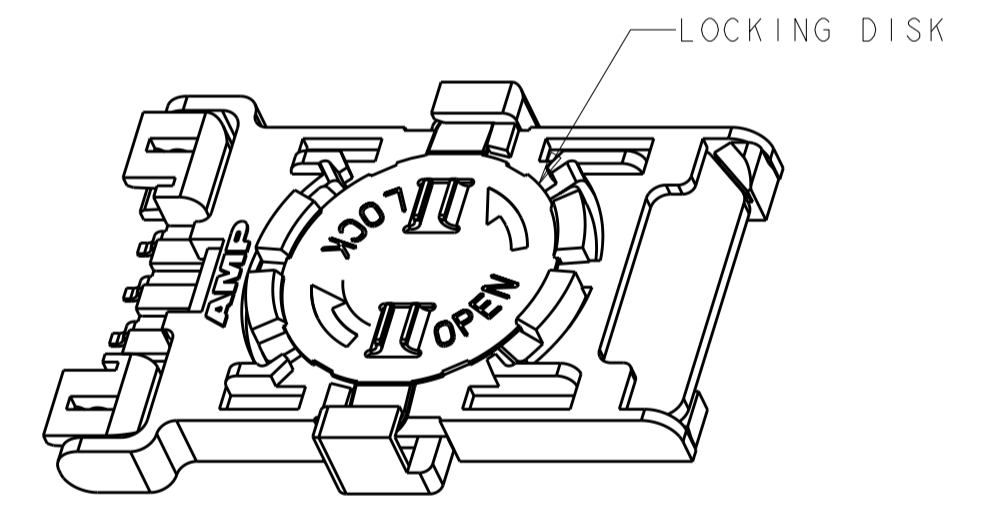
CONNECTOR SHOWN OPEN WITH HINGED COVER AND LOCKING MECHANISM



STEP 1  
SLIDE SIM CARD INTO LID

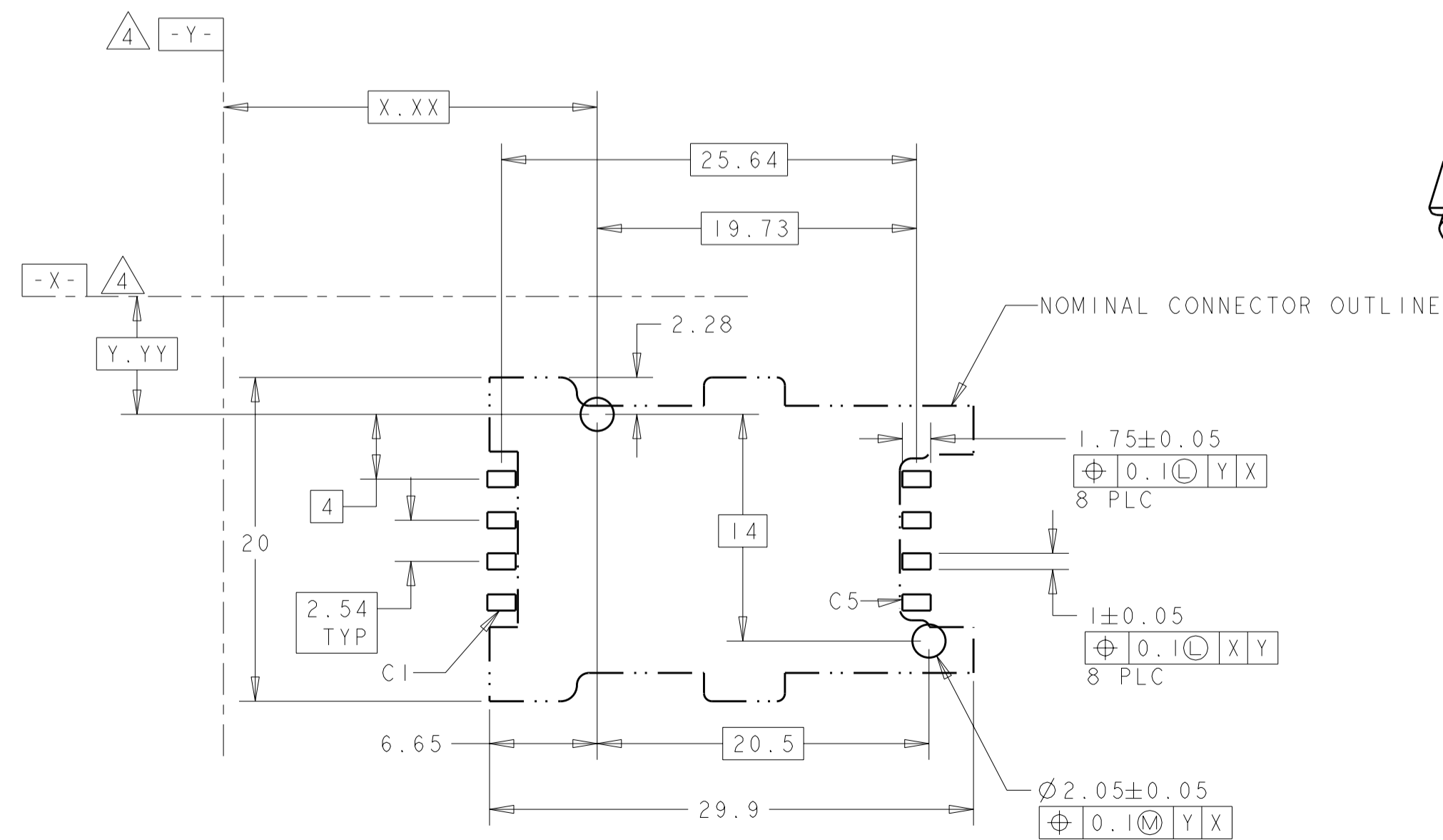
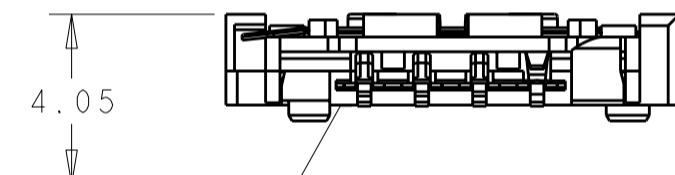
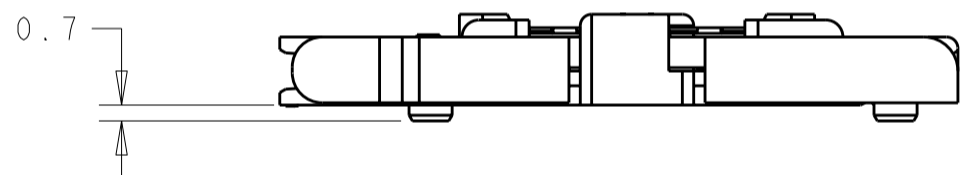


STEP 2  
ROTATE LID DOWN TO HORIZONTAL POSITION



STEP 3  
ROTATE LOCKING DISK CLOCKWISE TO SECURE SIM CARD IN READABLE POSITION

TO REMOVE CARD, ROTATE LOCKING DISK COUNTER CLOCKWISE, SIM CARD WILL THEN BE ACCESSIBLE AS SEEN IN STEP 1.



RECOMMENDED P.C. BOARD PATTERN

8	5145299-2
6	③ 5145299-1
POSITIONS	PART NUMBER

THIS DRAWING IS A CONTROLLED DOCUMENT.		DWN J. GERACE 01JUN05	TE Connectivity
DIMENSIONS: mm		CHK D. GORENC 01JUN05	
TOLERANCES UNLESS OTHERWISE SPECIFIED:		APVD M. WALMSLEY 01JUN05	
0 PLC ± 1 PLC ± 2 PLC ± 3 PLC ± 4 PLC ± ANGLES ± FINISH		NAME SIM/SAM CONNECTOR WITH LID, 8 POSN OR 6 POSN WITH SWITCH, SURFACE MOUNT SIZE A2 CAGE CODE 0779 DRAWING NO C-5145299 RESTRICTED TO -	
MATERIAL	①	CUSTOMER DRAWING	SCALE 3:1 SHEET 1 OF 1 REV P