



Chipsmall Limited consists of a professional team with an average of over 10 year of expertise in the distribution of electronic components. Based in Hongkong, we have already established firm and mutual-benefit business relationships with customers from,Europe,America and south Asia,supplying obsolete and hard-to-find components to meet their specific needs.

With the principle of "Quality Parts,Customers Priority,Honest Operation,and Considerate Service",our business mainly focus on the distribution of electronic components. Line cards we deal with include Microchip,ALPS,ROHM,Xilinx,Pulse,ON,Everlight and Freescale. Main products comprise IC,Modules,Potentiometer,IC Socket,Relay,Connector.Our parts cover such applications as commercial,industrial, and automotives areas.

We are looking forward to setting up business relationship with you and hope to provide you with the best service and solution. Let us make a better world for our industry!



Contact us

Tel: +86-755-8981 8866 Fax: +86-755-8427 6832

Email & Skype: info@chipsmall.com Web: www.chipsmall.com

Address: A1208, Overseas Decoration Building, #122 Zhenhua RD., Futian, Shenzhen, China



THIS DRAWING IS UNPUBLISHED.

RELEASED FOR PUBLICATION

20

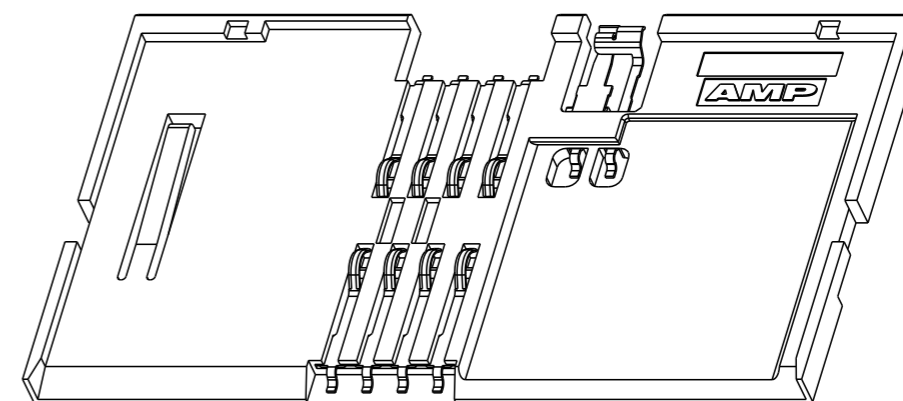
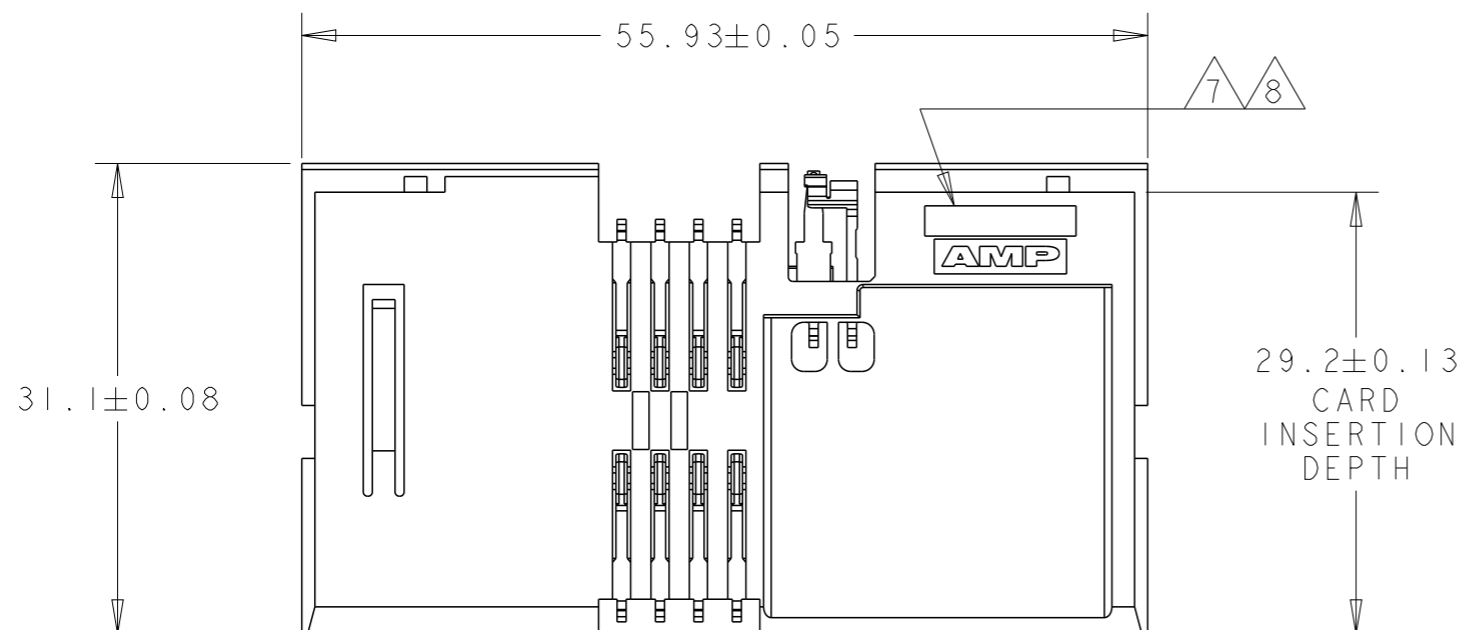
© COPYRIGHT 20 BY -

ALL RIGHTS RESERVED.

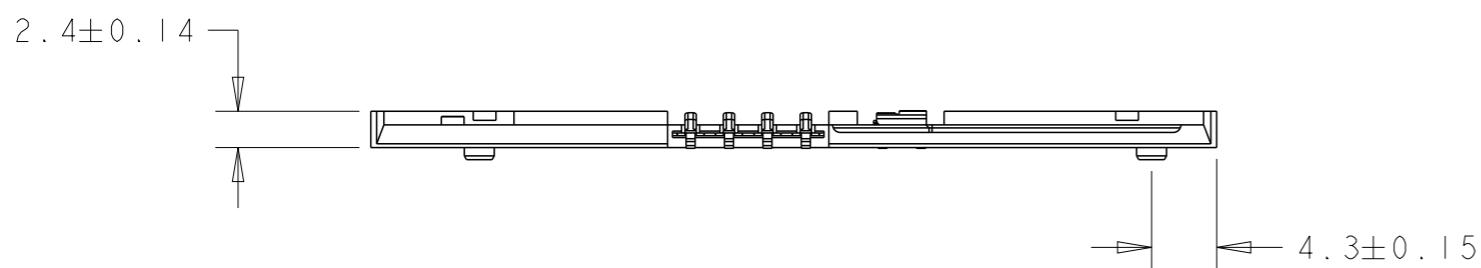
LOC GP DIST 00

REVISIONS

P	LTR	DESCRIPTION	DATE	DWN	APVD
-	-	SEE SHEET 1	-	-	-

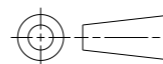


3 145300-1 DEPICTED ON THIS PAGE.



THIS DRAWING IS A CONTROLLED DOCUMENT.

DIMENSIONS: mm



TOLERANCES UNLESS OTHERWISE SPECIFIED:

- 0 PLC ±0.5
- 1 PLC ±0.25
- 2 PLC ±0.15
- 3 PLC ±0.05
- 4 PLC ±0.03
- ANGLES ±5°

MATERIAL

FINISH

DWN G. PETERS 27NOV05

CHK D. GORENC 27NOV05

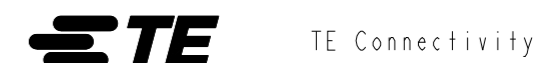
APVD M. WALMSLEY 27NOV05

PRODUCT SPEC 108-1742

APPLICATION SPEC

WEIGHT

CUSTOMER DRAWING



NAME SURFACE MOUNT SMART CARD W/ CARD DETECTION SWITCH

SIZE A3 CAGE CODE 300779 DRAWING NO. C-5145300 RESTRICTED TO

SCALE 2:1 SHEET 2 OF 5 REV C3

4

3

2

1

THIS DRAWING IS UNPUBLISHED.

RELEASED FOR PUBLICATION

20

© COPYRIGHT 20 BY -


ALL RIGHTS RESERVED.

LOC	DIST
GP	00

REVISIONS

P	LTR	DESCRIPTION	DATE	DWN	APVD
-	-	SEE SHEET 1	-	-	-

TRAY PACKAGING FOR 5145300-1 AND 5145300-2

THIS DRAWING IS A CONTROLLED DOCUMENT.		DWN	G. PETERS	27NOV05	 TE Connectivity
DIMENSIONS:		CHK	D. GORENC	27NOV05	
mm		APVD	M. WALMSLEY	27NOV05	
TOLERANCES UNLESS OTHERWISE SPECIFIED:		PRODUCT SPEC		NAME	
0 PLC	±0.5	108-1742		SURFACE MOUNT	
1 PLC	±0.25	APPLICATION SPEC		SMART CARD	
2 PLC	±0.15	WEIGHT		W/ CARD DETECTION SWITCH	
3 PLC	±0.05	CUSTOMER DRAWING		SIZE	A3
4 PLC	±0.03	SCALE		CAGE CODE	300779
ANGLES	±5°	SHEET		DRAWING NO	G-5145300
FINISH		REV		RESTRICTED TO	-
MATERIAL		SCALE		1:2	
		SHEET		3 OF 5	
		REV		C3	

1470-19 (3/11)

4

3

2

1

THIS DRAWING IS UNPUBLISHED.

RELEASED FOR PUBLICATION

20

© COPYRIGHT 20

BY -

ALL RIGHTS RESERVED.

LOC
GPDIST
00

REVISIONS

P	LTR	DESCRIPTION	DATE	DWN	APVD
-	-	SEE SHEET 1	-	-	-

TRAY PACKAGING FOR 5145300-3

THIS DRAWING IS A CONTROLLED DOCUMENT.

DWN
G. PETERS 27NOV05CHK
D. GORENC 27NOV05APVD
M. WALMSLEY 27NOV05PRODUCT SPEC
108-1742

APPLICATION SPEC

WEIGHT

CUSTOMER DRAWING

DIMENSIONS:

mm

TOLERANCES UNLESS OTHERWISE SPECIFIED:

0 PLC	±0.5
1 PLC	±0.25
2 PLC	±0.15
3 PLC	±0.05
4 PLC	±0.03
ANGLES	±5°
FINISH	

MATERIAL

TE Connectivity

 NAME
 SURFACE MOUNT
 SMART CARD
 W/ CARD DETECTION SWITCH

SIZE	CAGE CODE	DRAWING NO	RESTRICTED TO
------	-----------	------------	---------------

A300779	C=5145300		
---------	-----------	--	--

SCALE 1:2 SHEET 4 OF 5 REV C3

1470-19 (3/11)

4

3

2

1

THIS DRAWING IS UNPUBLISHED.

RELEASED FOR PUBLICATION

20

© COPYRIGHT 20 BY -

ALL RIGHTS RESERVED.

LOC	DIST
GP	00

REVISIONS

P	LTR	DESCRIPTION	DATE	DWN	APVD
-	-	SEE SHEET 1	-	-	-

(4) →
(2) →

(32.1)
CARD DIMENSION

(34.2)

(72)

K

(40)

AMP

UB

MTU

(57.8)
CARD DIMENSION

(3.65)
CARD DIMENSION

→ CUSTOMER DE-REEL DIRECTION

SECTION K-K


TAPE PACKAGING FOR 5145300-4, 5145300-5
SCALE 1:1

(74) INSIDE WIDTH
(78) OUTSIDE WIDTH

(∅100)

(∅330)

PLASTIC REEL DETAILS FOR 5145300-4, 5145300-5
SCALE 1:10

THIS DRAWING IS A CONTROLLED DOCUMENT.		DWN G. PETERS	27NOV05	 TE Connectivity											
DIMENSIONS: mm		CHK D. GORENC	27NOV05												
TOLERANCES UNLESS OTHERWISE SPECIFIED:		APVD M. WALMSLEY	27NOV05												
<table border="1"> <tr> <td>0 PLC</td> <td>±0.5</td> </tr> <tr> <td>1 PLC</td> <td>±0.25</td> </tr> <tr> <td>2 PLC</td> <td>±0.15</td> </tr> <tr> <td>3 PLC</td> <td>±0.05</td> </tr> <tr> <td>4 PLC</td> <td>±0.03</td> </tr> <tr> <td>ANGLES</td> <td>±5°</td> </tr> </table>		0 PLC	±0.5			1 PLC	±0.25	2 PLC	±0.15	3 PLC	±0.05	4 PLC	±0.03	ANGLES	±5°
0 PLC	±0.5														
1 PLC	±0.25														
2 PLC	±0.15														
3 PLC	±0.05														
4 PLC	±0.03														
ANGLES	±5°														
MATERIAL		PRODUCT SPEC 108-1742		SIZE A300779	CAGE CODE C-5145300										
FINISH		APPLICATION SPEC		DRAWING NO	RESTRICTED TO										
CUSTOMER DRAWING		WEIGHT		SCALE 2:1	SHEET 5 OF 5										
				REV C3											

1470-19 (3/11)