



Chipsmall Limited consists of a professional team with an average of over 10 year of expertise in the distribution of electronic components. Based in Hongkong, we have already established firm and mutual-benefit business relationships with customers from,Europe,America and south Asia,supplying obsolete and hard-to-find components to meet their specific needs.

With the principle of “Quality Parts,Customers Priority,Honest Operation,and Considerate Service”,our business mainly focus on the distribution of electronic components. Line cards we deal with include Microchip,ALPS,ROHM,Xilinx,Pulse,ON,Everlight and Freescale. Main products comprise IC,Modules,Potentiometer,IC Socket,Relay,Connector.Our parts cover such applications as commercial,industrial, and automotives areas.

We are looking forward to setting up business relationship with you and hope to provide you with the best service and solution. Let us make a better world for our industry!



Contact us

Tel: +86-755-8981 8866 Fax: +86-755-8427 6832

Email & Skype: info@chipsmall.com Web: www.chipsmall.com

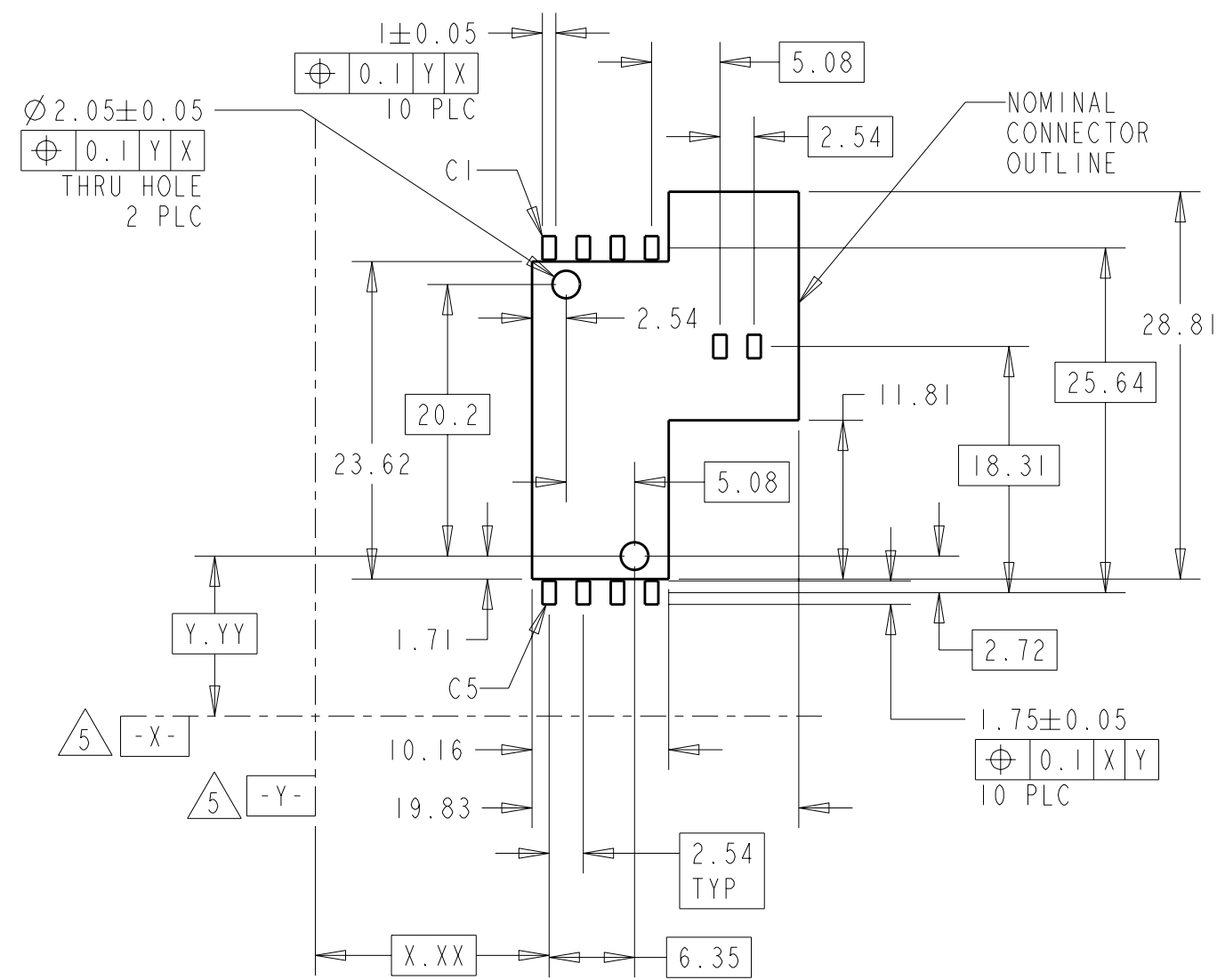
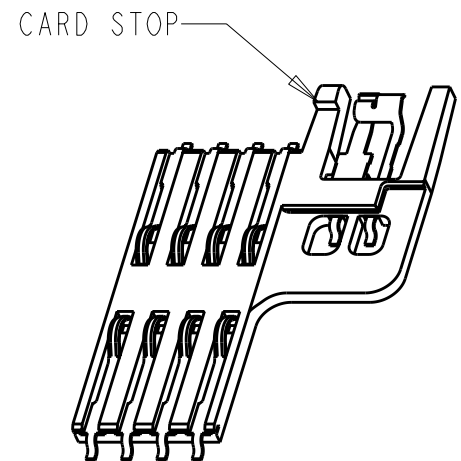
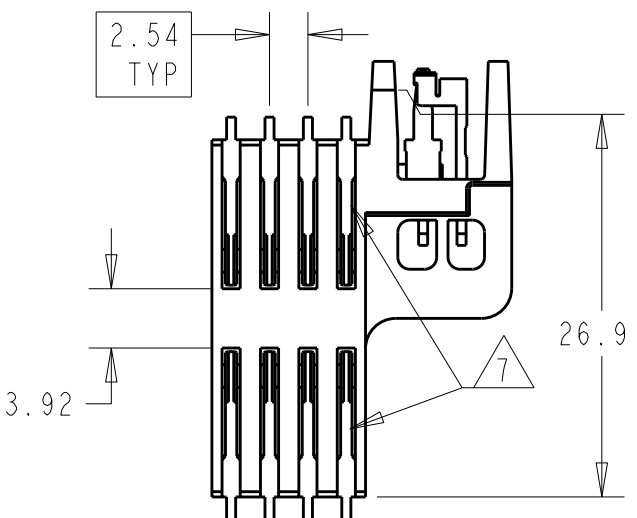
Address: A1208, Overseas Decoration Building, #122 Zhenhua RD., Futian, Shenzhen, China



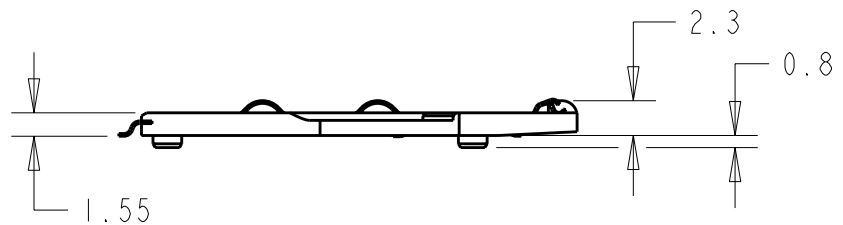
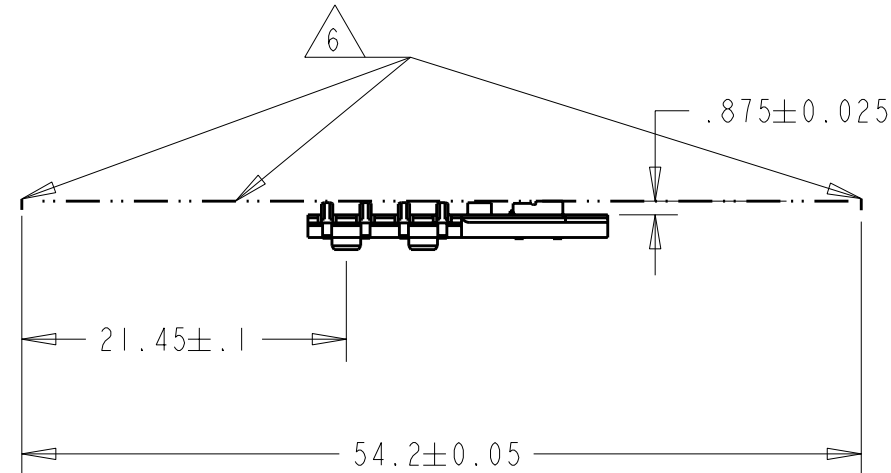
THIS DRAWING IS UNPUBLISHED. RELEASED FOR PUBLICATION 20
 © COPYRIGHT 2005 BY - ALL RIGHTS RESERVED.

LOC	DIST	REVISIONS			
P	LTR	DESCRIPTION	DATE	DWN	APVD
GP	00				
	01	REVISED PER ECO-11-004756	08MAR2011	CJV	DLG
	A	REVISED PER ECO-11-023641	31JAN2012	CJV	DLG

- 1 MATERIAL: HOUSING: THERMOPLASTIC, COLOR: BLACK;
CONTACTS: COPPOR ALLOY.
- 2 FINISH: CONTACTS: 0.76µm[30µIN] MIN GOLD PLATING ON CONTACT AREA,
3.81µm[150µIN] MIN MATTE TIN PLATING ON SOLDER TAILS,
1.27µm[50µIN] MIN NICKEL UNDERPLATE ALL OVER.
- 3. MATING INTERFACE ACCEPTS IC CARD IN ACCORDANCE WITH ISO 7810-7816.
- 4. CARD GUIDE PROVIDED BY EQUIPMENT, NOT THE CONNECTOR.
- 5 DATUMS AND DIMENSIONS ESTABLISHED BY CUSTOMER
- 6 CUSTOMER CARD GUIDE SURFACES
- 7 TWO CONTACTS OMITTED FOR -2 (6 POSITION VERSION).
- 8. BrCl, F, I < 900ppm PER HOMOGENOUS MATERIAL BFR/CFR/PV/C FREE.



RECOMMENDED PC BOARD LAYOUT

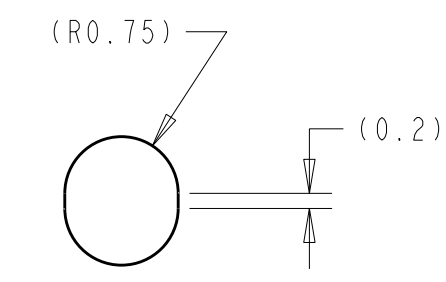
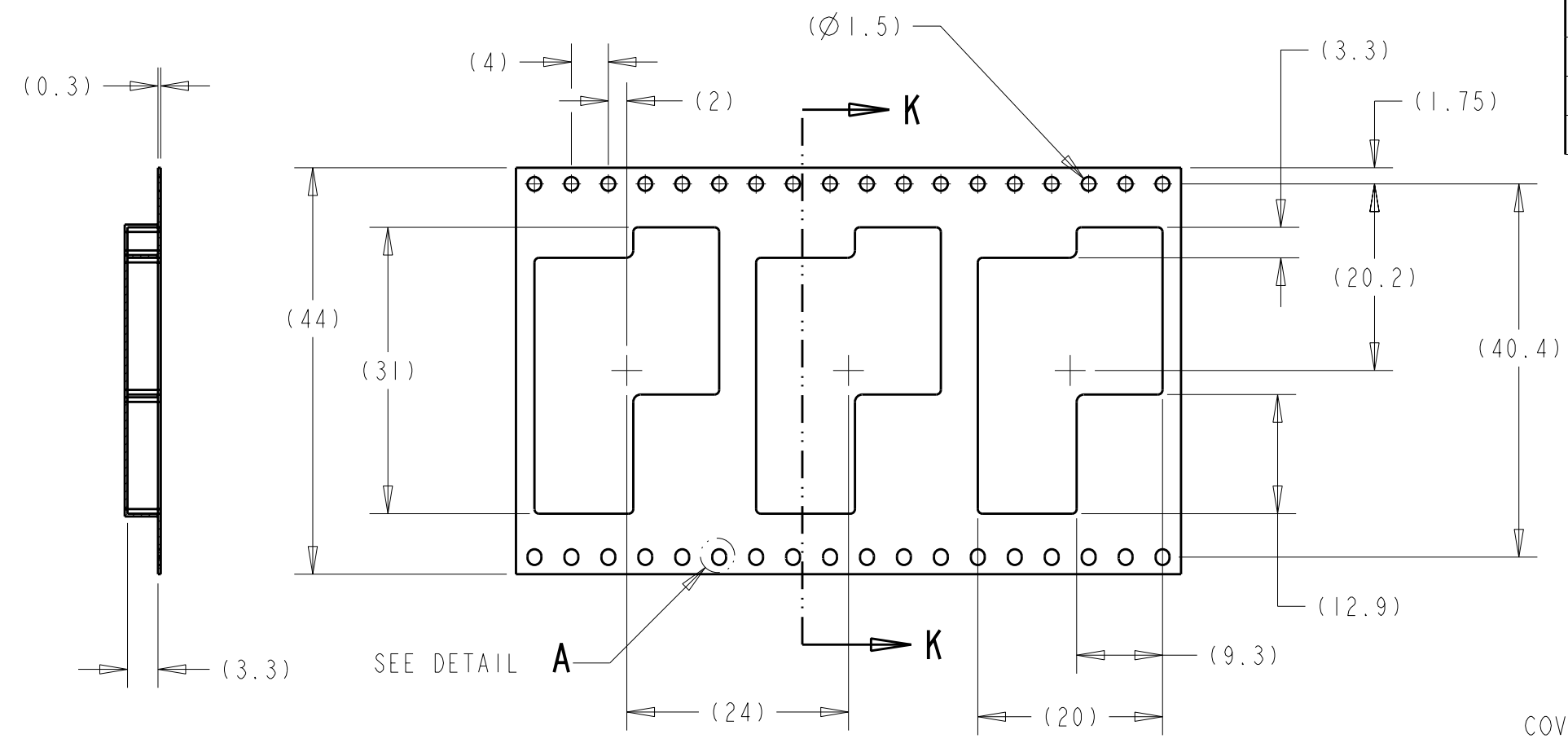


6	7	5145323-2
8		5145323-1
POSITIONS		PART NUMBER

THIS DRAWING IS A CONTROLLED DOCUMENT. DIMENSIONING AND TOLERANCING PER ASME Y14.5M-2009		DWN G. PETERS 27NOV05	 TE Connectivity	NAME	
DIMENSIONS: mm		CHK D. GORENC 27NOV05		6 AND 8 POSITION SMT CONTACT MODULE W/ SWITCH	
TOLERANCES UNLESS OTHERWISE SPECIFIED:		APVD M. WALMSLEY 27NOV05		-	
0 PLC ±- 1 PLC ±0.25 2 PLC ±0.13 3 PLC ±- 4 PLC ±- ANGLES ±-		PRODUCT SPEC 108-1742		SIZE A3	CAGE CODE 00779
MATERIAL 1		FINISH 2	APPLIC. SPEC -	RESTRICTED TO -	
		WEIGHT -	CUSTOMER DRAWING	SCALE 2:1	SHEET 1 OF 2 REV A

THIS DRAWING IS UNPUBLISHED. RELEASED FOR PUBLICATION 20
 © COPYRIGHT 2005 BY - ALL RIGHTS RESERVED.

LOC	DIST	REVISIONS				
P	LTR	DESCRIPTION	DATE	DWN	APVD	
GP	00	SEE SHEET 1	-	-	-	

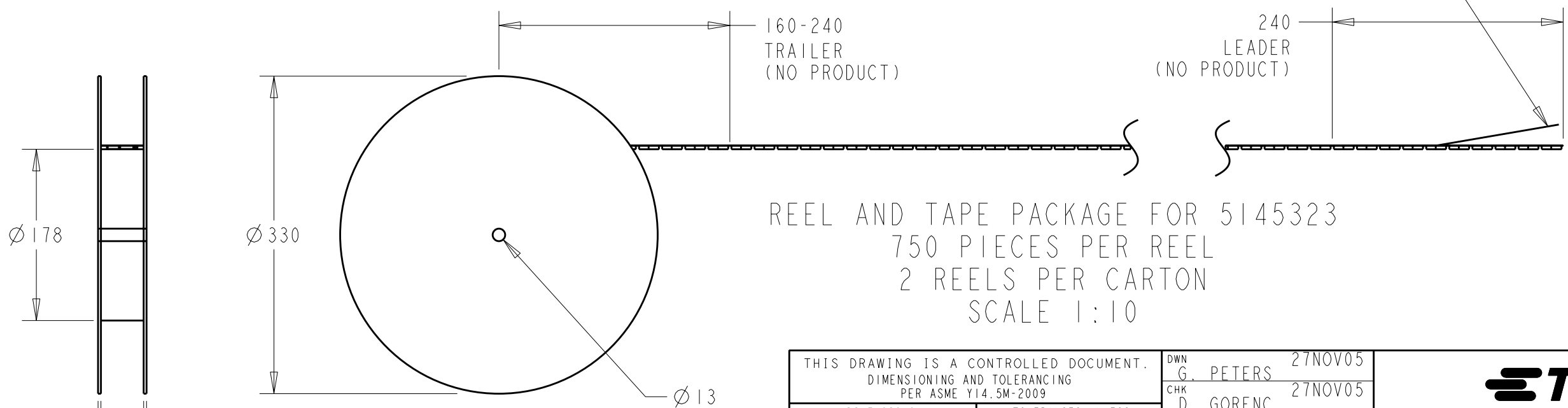


DETAIL A
SCALE 10:1

SECTION K-K

PACKAGING TAPE
SCALE 3:2

COVER TAPE OVER
OUTSIDE WRAP OF
LEADER. 1 FULL
WRAP MINIMUM



REEL AND TAPE PACKAGE FOR 5145323
750 PIECES PER REEL
2 REELS PER CARTON
SCALE 1:10

THIS DRAWING IS A CONTROLLED DOCUMENT. DIMENSIONING AND TOLERANCING PER ASME Y14.5M-2009		DWN G. PETERS 27NOV05	TE Connectivity			
DIMENSIONS: mm		CHK D. GORENC 27NOV05				
TOLERANCES UNLESS OTHERWISE SPECIFIED:		APVD M. WALMSLEY 27NOV05				
0 PLC ±- 1 PLC ±0.25 2 PLC ±0.13 3 PLC ±- 4 PLC ±- ANGLES ±-		PRODUCT SPEC 108-1742	NAME 6 AND 8 POSITION SMT CONTACT MODULE W/ SWITCH			
MATERIAL -	FINISH -	APPLICATION SPEC -	SIZE A3	CAGE CODE 00779	DRAWING NO C-5145323	RESTRICTED TO -
CUSTOMER DRAWING			SCALE 2:1	SHEET 2	OF 2	REV A