



Chipsmall Limited consists of a professional team with an average of over 10 year of expertise in the distribution of electronic components. Based in Hongkong, we have already established firm and mutual-benefit business relationships with customers from,Europe,America and south Asia,supplying obsolete and hard-to-find components to meet their specific needs.

With the principle of “Quality Parts,Customers Priority,Honest Operation,and Considerate Service”,our business mainly focus on the distribution of electronic components. Line cards we deal with include Microchip,ALPS,ROHM,Xilinx,Pulse,ON,Everlight and Freescale. Main products comprise IC,Modules,Potentiometer,IC Socket,Relay,Connector.Our parts cover such applications as commercial,industrial, and automotives areas.

We are looking forward to setting up business relationship with you and hope to provide you with the best service and solution. Let us make a better world for our industry!



Contact us

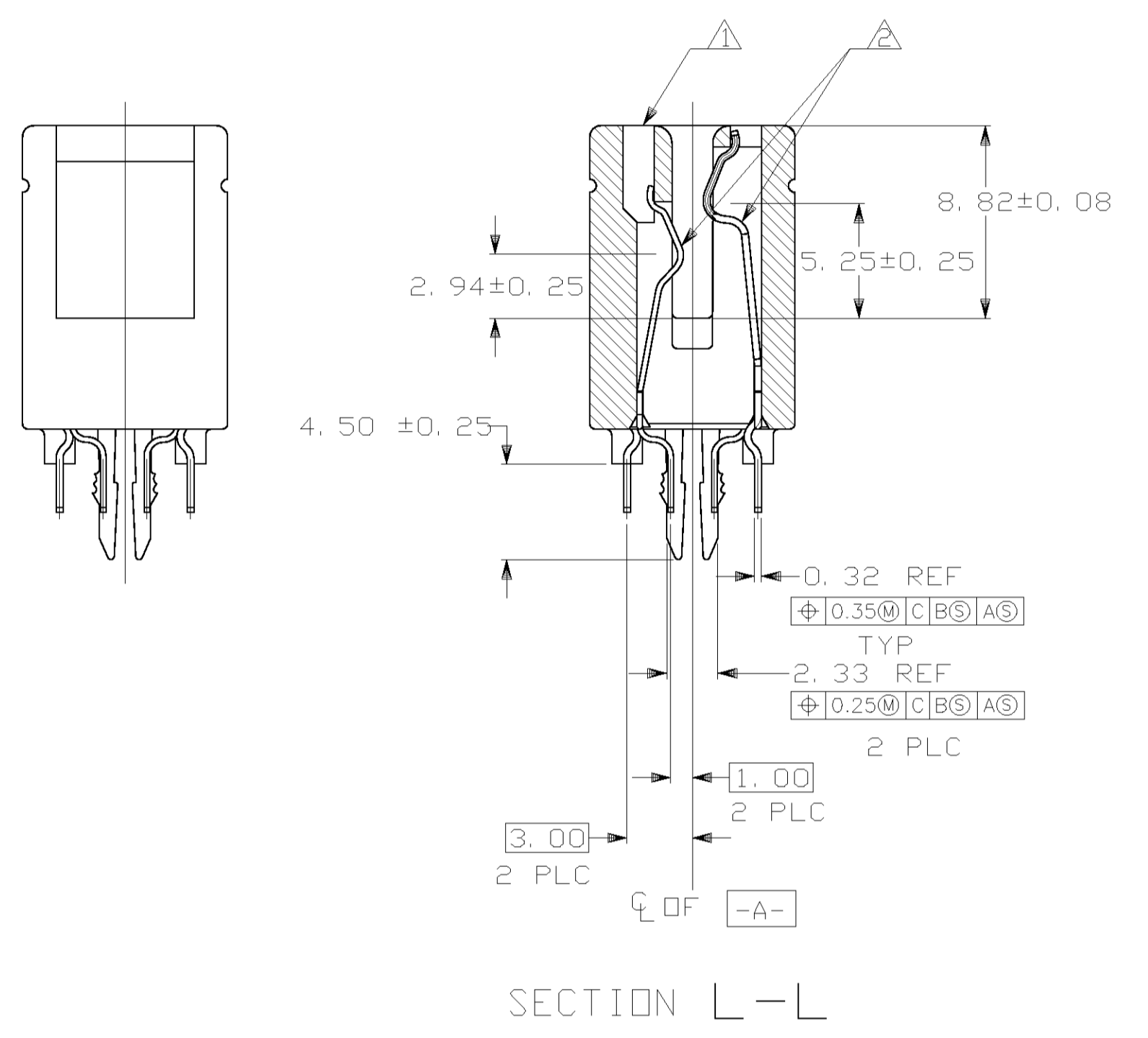
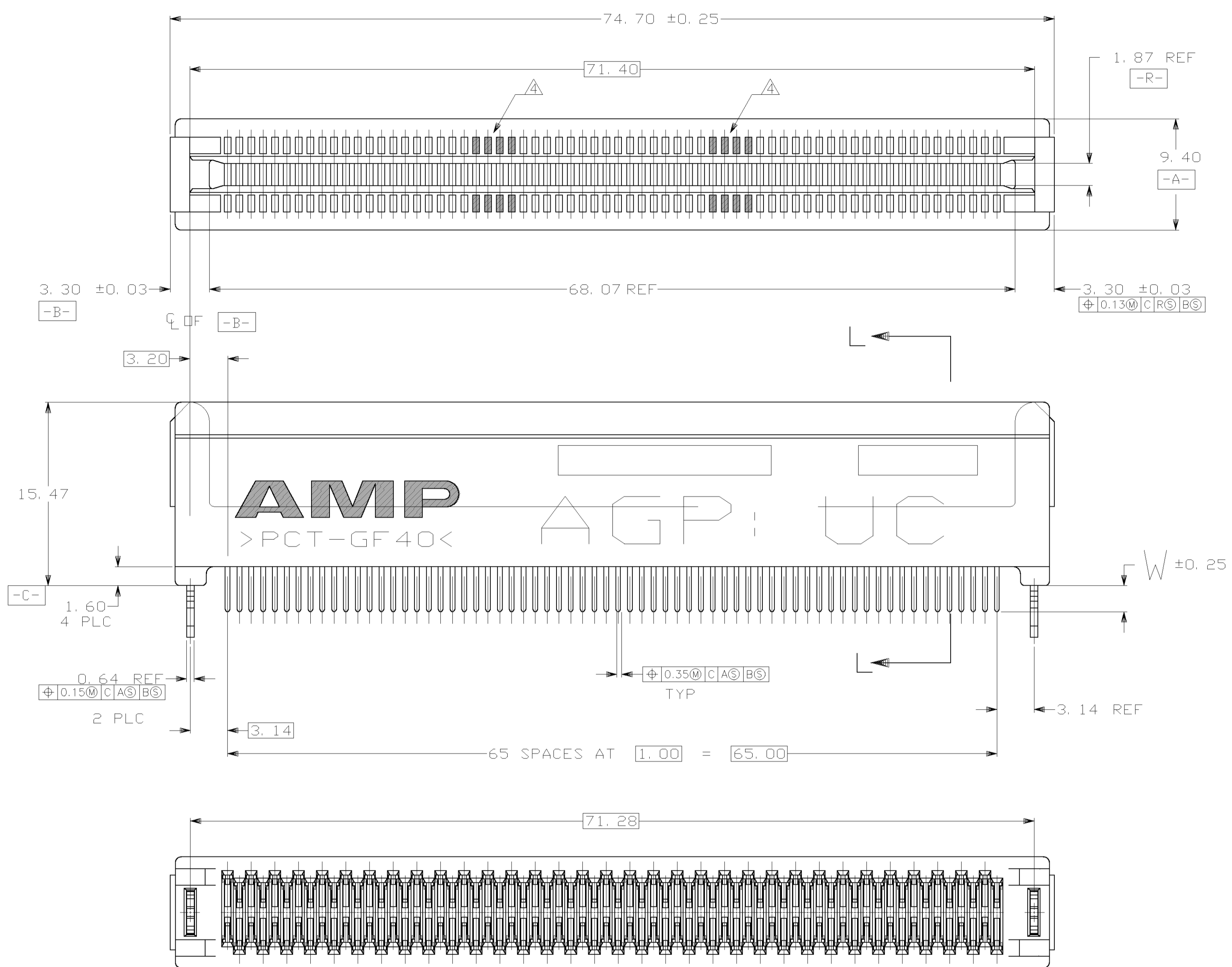
Tel: +86-755-8981 8866 Fax: +86-755-8427 6832

Email & Skype: info@chipsmall.com Web: www.chipsmall.com

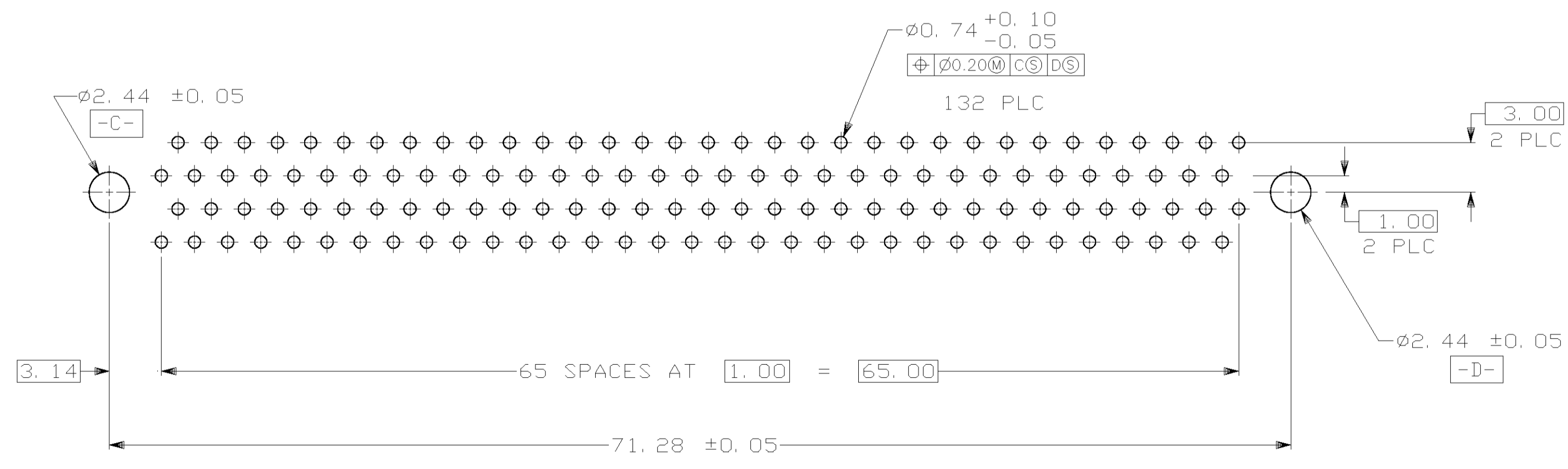
Address: A1208, Overseas Decoration Building, #122 Zhenhua RD., Futian, Shenzhen, China



REVISONS		DATE	DWN	APVD
A	RELEASED ECR-09-010116	08MAY09	AZ	SY
A1	REVISED PER ECO-09-024927	08JAN10	KK	AEG



- △ MATERIAL: HOUSING, THERMOPLASTIC, COLOR: BROWN. CONTACTS, PHOSPHOR BRONZE. HOLD-DOWNS, BRASS.
- △ FINISH: CONTACTS, 1.27 MIN. MICROMETERS NICKEL ALL OVER, 0.38 MIN. MICROMETERS GOLD OVER NICKEL IN CONTACT AREA, 2.54 MIN MICROMETERS TIN OVER NICKEL ON SOLDER TAILS.
- △ REFER TO INTEL ACCELERATED GRAPHICS PORT INTERFACE SPECIFICATION FOR RECOMMENDED MATING PAD PATTERNS FOR AGP 1X, 2X AND 4X BOARDS.
- △ SHADED CONTACT LOCATIONS ARE AT RISK OF DAMAGE DURING MATING AND UNMATING WITH AGP-1X AND AGP-2X/4X CIRCUITS.
- △ FINISH: CONTACTS, 1.27 MIN. MICROMETERS NICKEL ALL OVER, 0.0254-0.0762 MICROMETERS GOLD OVER NICKEL IN CONTACT AREA, 2.54 MIN. MICROMETERS TIN OVER NICKEL ON SOLDER TAILS.
- △ OBSOLETE PARTS: OBSOLETE CIS STREAMLINING PER D. RENAUD/D. SINISI



RECOMMENDED CONNECTOR MOUNTING HOLE PATTERN
 (CONNECTOR SIDE SHOWN)

OBSOLETE	△	3.18	5145376-6
	△	2.54	5145376-5
	△	3.18	5145376-3
	△	2.54	5145376-2
	△	2.16	5145376-1
PLATING	W		PART NO

THIS DRAWING IS A CONTROLLED DOCUMENT.

DIMENSIONS: mm	TOLERANCES UNLESS OTHERWISE SPECIFIED:	DWN: GAVIN ZHANG 23MAR05	Tyco Electronics Tyco Electronics Corporation Shanghai, P.R.China, 200233
0 PLC ± -	1 PLC ± 0.13	CHK: STEVEN YAO 23MAR05	
2 PLC ± 0.13	3 PLC ± -	APVD: ENOMOTO 23MAR05	NAME: ASSEMBLY, 132 POSITION 1mm, CARD EDGE CONNECTOR
4 PLC ± -	ANGLES ± ±	APPLICATION SPEC	SIZE: A1
MATERIAL: △	FINISH: △△	WEIGHT: -	SCALE: 4:1
CUSTOMER DRAWING		00779 C=5145376	SHEET 1 OF 1