



Chipsmall Limited consists of a professional team with an average of over 10 year of expertise in the distribution of electronic components. Based in Hongkong, we have already established firm and mutual-benefit business relationships with customers from,Europe,America and south Asia,supplying obsolete and hard-to-find components to meet their specific needs.

With the principle of “Quality Parts,Customers Priority,Honest Operation,and Considerate Service”,our business mainly focus on the distribution of electronic components. Line cards we deal with include Microchip,ALPS,ROHM,Xilinx,Pulse,ON,Everlight and Freescale. Main products comprise IC,Modules,Potentiometer,IC Socket,Relay,Connector.Our parts cover such applications as commercial,industrial, and automotives areas.

We are looking forward to setting up business relationship with you and hope to provide you with the best service and solution. Let us make a better world for our industry!



## Contact us

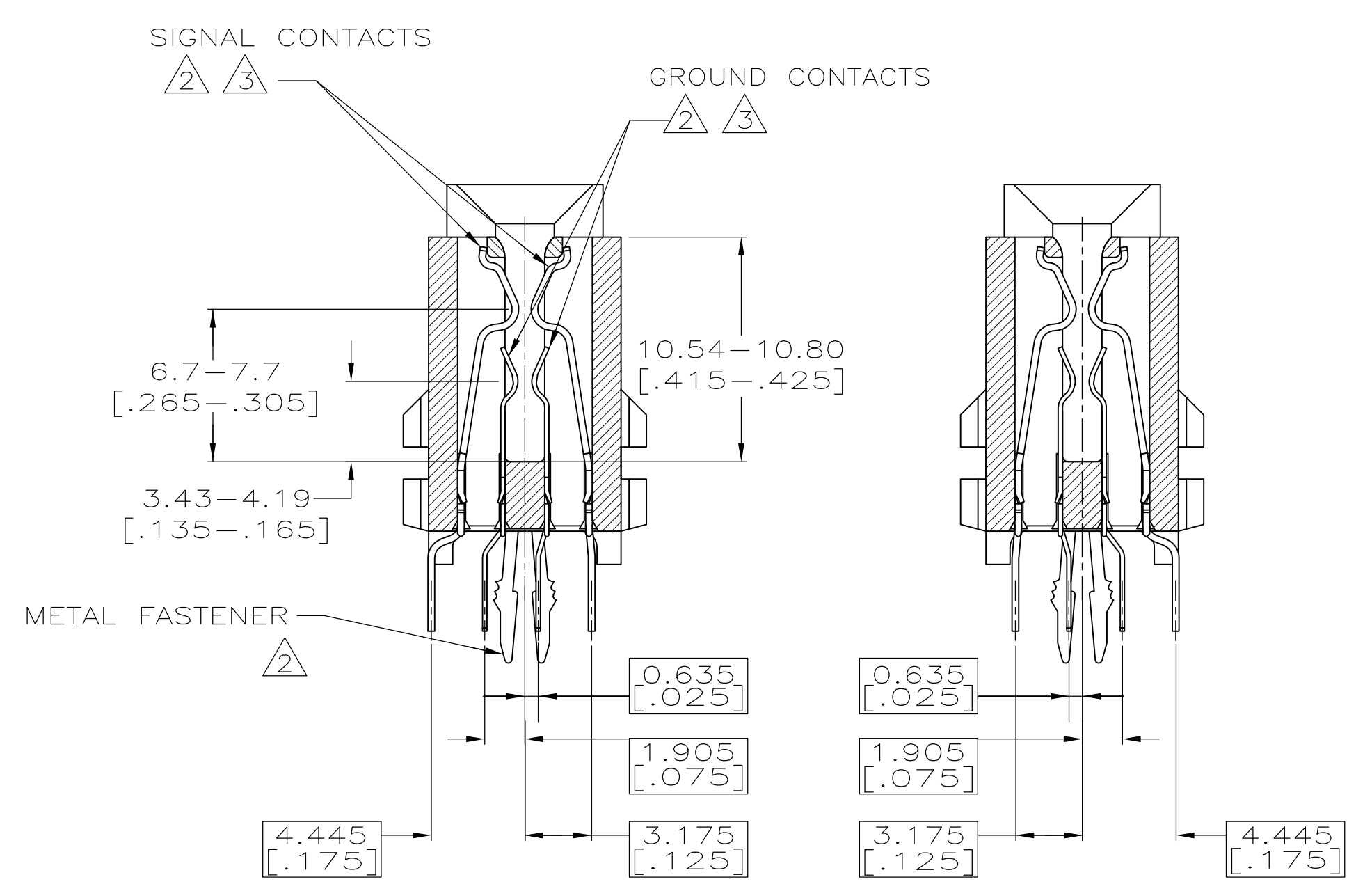
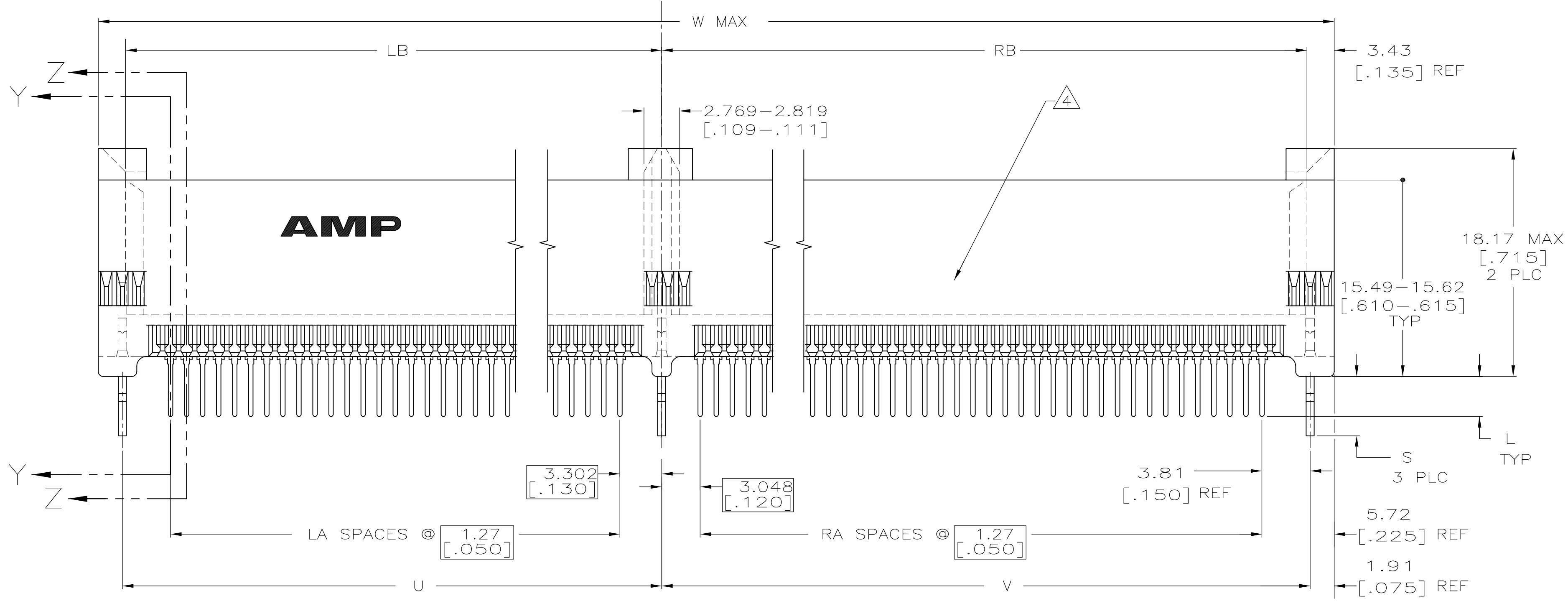
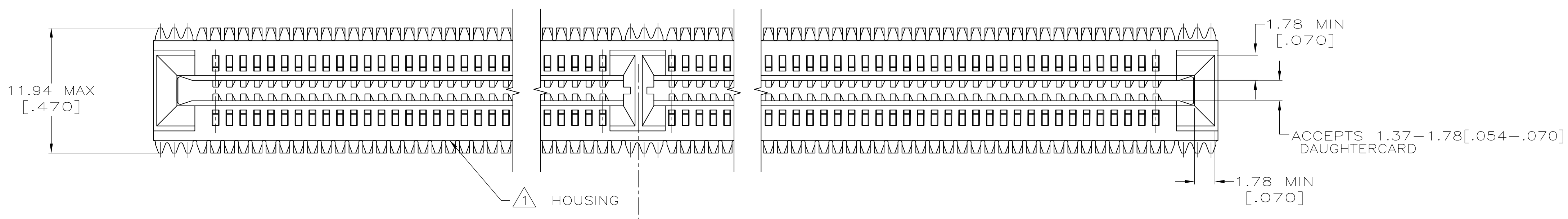
Tel: +86-755-8981 8866 Fax: +86-755-8427 6832

Email & Skype: info@chipsmall.com Web: www.chipsmall.com

Address: A1208, Overseas Decoration Building, #122 Zhenhua RD., Futian, Shenzhen, China

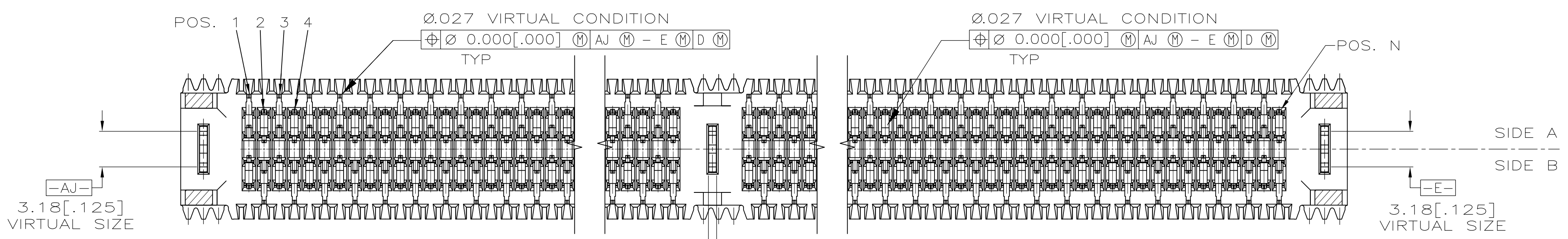


LOC		DIST		REVISIONS			
P	LTR	DESCRIPTION	DATE	DMN	APVD		
B		ECO-07-024387	19OCT07	LAM	PR		
B1		REVISED PER ECO-09-024927	07NOV09	KK	IAEG		



SECTION Y-Y  
 ONLY CONTACTS AT SECTION SHOWN FOR CLARITY TYP

SECTION Z-Z  
 ONLY CONTACTS AT SECTION SHOWN FOR CLARITY TYP



OBSELETE  
 OBSELETE  
 OBSELETE  
 SUPERCEDED WITH 6658664-2

129.41 [5.095]	129.67-129.92 [5.105-5.115]	97	103.00 [4.055]	103.25-103.51 [4.065-4.075]	76	237.90 [9.366]	129.97-130.12 [5.12-5.12]	103.56-103.71 [4.077-4.083]	103.63 [4.080]	4.44-4.95 [.175-.195]	2.29-2.79 [.090-.110]	700	175	5-5145427-3
111.63 [4.395]	111.89-112.14 [4.405-4.415]	83	89.02 [3.505]	89.28-89.54 [3.515-3.525]	65	206.15 [8.116]	112.19-112.34 [4.417-4.423]	89.59-89.74 [3.527-3.533]	89.66 [3.530]	4.44-4.95 [.175-.195]	2.29-2.79 [.090-.110]	600	150	4-5145427-1
96.39 [3.795]	96.65-96.90 [3.805-3.815]	71	78.88 [3.105]	79.12-79.38 [3.115-3.125]	57	180.75 [7.116]	96.95-97.10 [3.817-3.823]	79.43-79.58 [3.127-3.133]	79.51 [3.130]	4.44-4.95 [.175-.195]	2.29-2.79 [.090-.110]	520	130	3-5145427-3
83.69 [3.295]	83.95-84.20 [3.305-3.315]	61	66.17 [2.605]	66.42-66.68 [2.615-2.625]	47	155.35 [6.116]	84.25-84.40 [3.317-3.323]	66.73-66.88 [2.627-2.633]	66.81 [2.630]	4.44-4.95 [.175-.195]	2.29-2.79 [.090-.110]	440	110	2-5145427-5
76.07 [2.695]	68.71-68.96 [2.705-2.715]	49	56.01 [2.205]	56.26-56.52 [2.215-2.225]	39	129.95 [5.116]	69.01-69.16 [2.717-2.723]	56.57-56.72 [2.227-2.233]	56.64 [2.230]	4.44-4.95 [.175-.195]	2.29-2.79 [.090-.110]	360	90	1-5145427-7
55.75 [2.195]	56.01-56.26 [2.205-2.215]	39	43.31 [1.705]	43.56-43.82 [1.715-1.725]	29	104.55 [4.116]	56.31-56.46 [2.217-2.223]	43.87-44.02 [1.727-1.733]	43.94 [1.730]	4.44-4.95 [.175-.195]	2.29-2.79 [.090-.110]	280	70	5145427-9
48.13 [1.895]	48.39-48.64 [1.905-1.915]	33	38.23 [1.505]	38.48-38.74 [1.515-1.525]	25	91.85 [3.616]	48.69-48.84 [1.917-1.923]	38.79-38.94 [1.527-1.533]	38.86 [1.530]	4.44-4.95 [.175-.195]	2.29-2.79 [.090-.110]	240	60	5145427-5
RC	RB	RA	LC	LB	LA	W	V	U	T	S	L	NO. OF TOTAL POSN	NO. OF QUAD POSN	PART NUMBER

- MATERIAL: PCT, COLOR- BROWN.
- UPPER & LOWER CONTACT MATERIAL: PHOSPHOR BRONZE PER CDA C51100. FASTENER MATERIAL: BRASS
- CONTACT FINISH:  
 ON MATING SURFACES-  
 0.00076 [.000030] MIN GOLD PLATE OVER  
 0.00127 [.000050] MIN NICKEL.  
 ON SOLDER LEADS-  
 0.00254 [.000100] MIN TIN.
- PART NUMBER AND DATE CODE MARKED ON THIS SURFACE.
- OBSELETE PARTS: OBSELETE CIS STREAMLINING PER D.RENAUD/D.SINISI

THIS DRAWING IS A CONTROLLED DOCUMENT.

DIMENSIONS: mm

TOLERANCES UNLESS OTHERWISE SPECIFIED:  
 0 PLC ± -  
 1 PLC ± .005  
 2 PLC ± .01 [0.005]  
 3 PLC ± .015  
 4 PLC ± .025  
 ANGLES ± °

MATERIAL: SEE NOTE 1

FINISH: SEE NOTE 3

WEIGHT: -

CUSTOMER DRAWING

DIN L VARELA - DOCKS 27-01-05  
 CHK M PERCHERKE 27-01-05  
 APVD M PERCHERKE 27-01-05

Tyco Electronics Corporation  
 Harrisburg, PA 17105-3608

CONNECTOR ASSEMBLY,  
 AMP SEC-Z  
 (FOR .062 DAUGHTER BOARD)

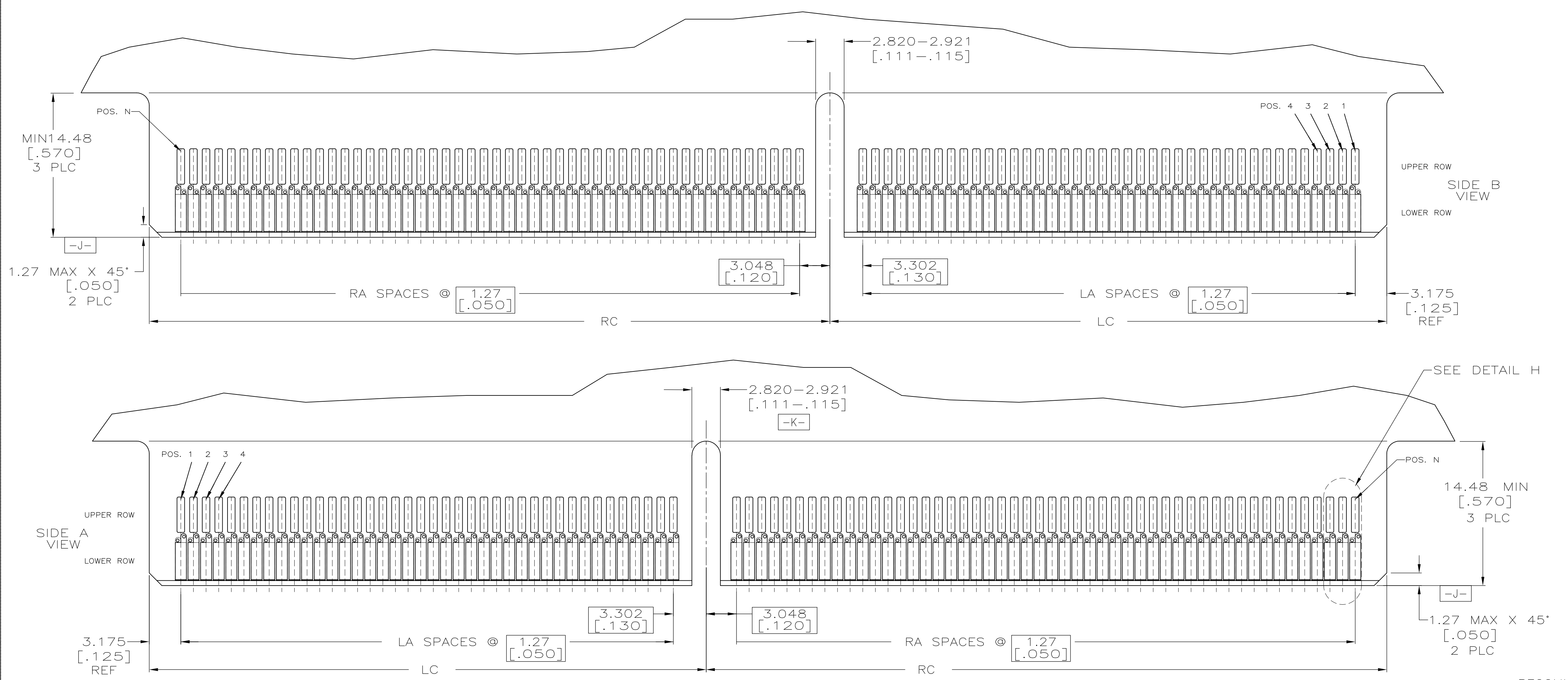
SIZE: A1  
 CASE CODE: 00779  
 DRAWING NO: 5145427

RESTRICTED TO

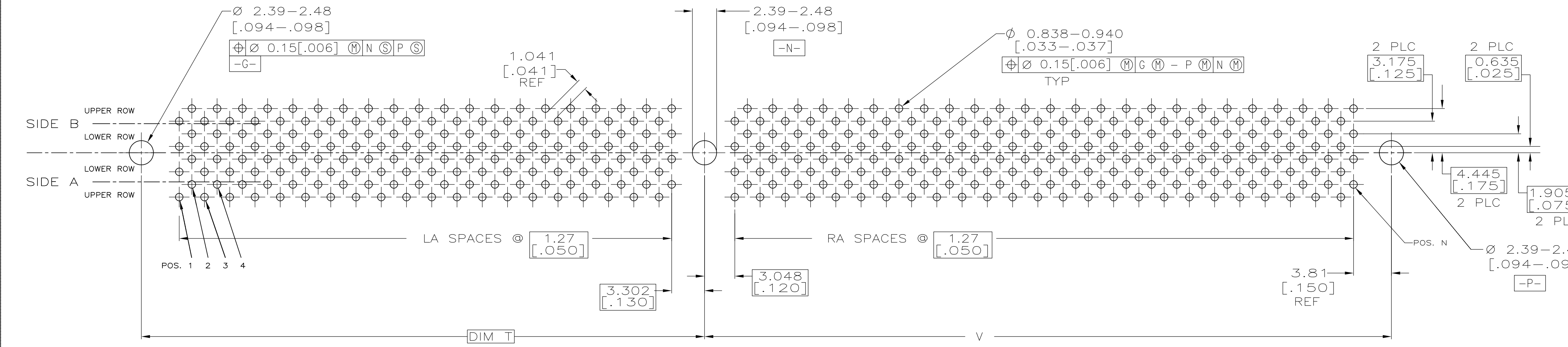
SCALE: 4:1 SHEET: 1 OF 2 REV: B1



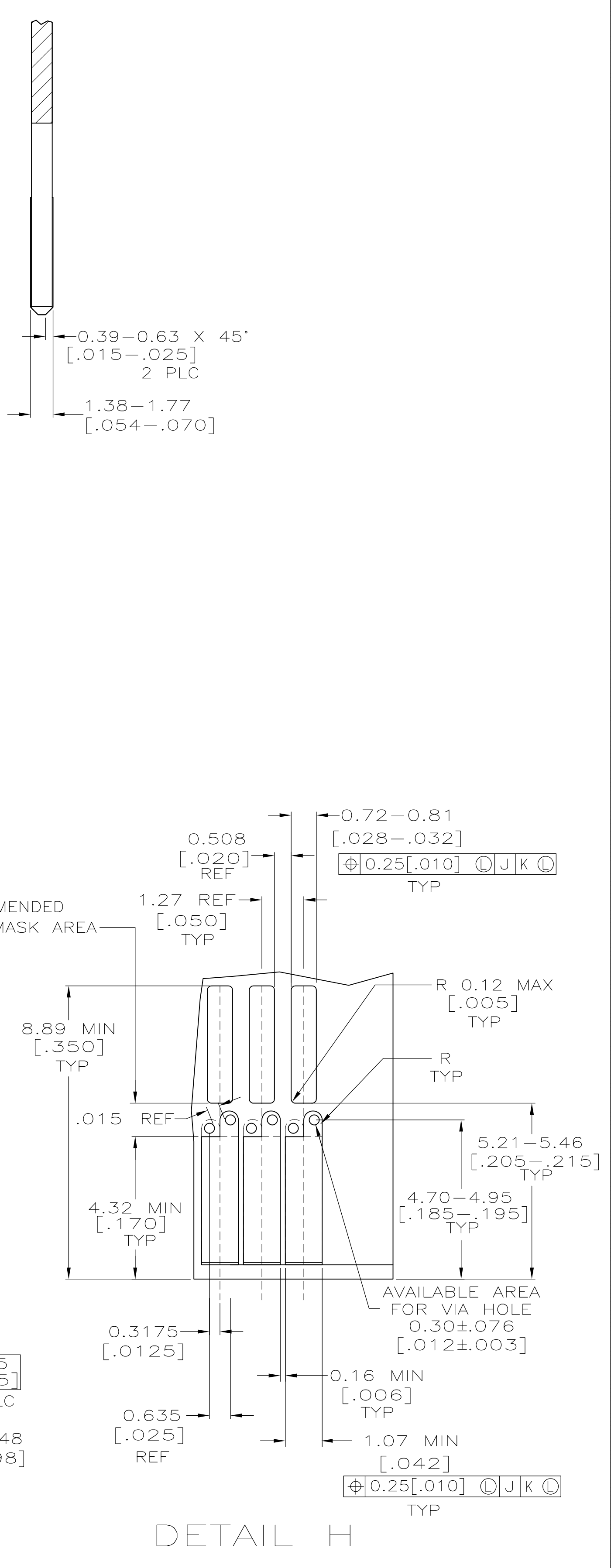
LOC		DIST		REVISIONS			
P	LTR	DESCRIPTION	DATE	DN	APVD		
AA	00	SEE SHEET 1					



RECOMMENDED FREE BOARD EDGE CONFIGURATION



RECOMMENDED FIXED BOARD CONFIGURATION  
(CONNECTOR SIDE SHOWN)



DETAIL H  
SCALE: 10 : 1

THIS DRAWING IS A CONTROLLED DOCUMENT.		DIN L VARELA - DOOKS 01-27-05	Tyco Electronics Tyco Electronics Corporation Harrisburg, PA 17105-3608
DIMENSIONS: mm		CHK: M PERCHERKE 01-27-05	
TOLERANCES UNLESS OTHERWISE SPECIFIED:		APVD: M PERCHERKE 01-27-05	NAME: CONNECTOR ASSEMBLY, AMP SEC-2 (FOR .062 DAUGHTER BOARD)
0 PLC ± -		SIZE: A1	
1 PLC ± -		CAGE CODE: 00779	RESTRICTED TO: -
2 PLC ± -		DRAWING NO: 5145427	
3 PLC ± .13 [.005]		SCALE: 4:1	SHEET 2 OF 2
4 PLC ± -		REV: B1	
ANGLES: ± 3°		CUSTOMER DRAWING	