



Chipsmall Limited consists of a professional team with an average of over 10 year of expertise in the distribution of electronic components. Based in Hongkong, we have already established firm and mutual-benefit business relationships with customers from,Europe,America and south Asia,supplying obsolete and hard-to-find components to meet their specific needs.

With the principle of “Quality Parts,Customers Priority,Honest Operation,and Considerate Service”,our business mainly focus on the distribution of electronic components. Line cards we deal with include Microchip,ALPS,ROHM,Xilinx,Pulse,ON,Everlight and Freescale. Main products comprise IC,Modules,Potentiometer,IC Socket,Relay,Connector.Our parts cover such applications as commercial,industrial, and automotives areas.

We are looking forward to setting up business relationship with you and hope to provide you with the best service and solution. Let us make a better world for our industry!



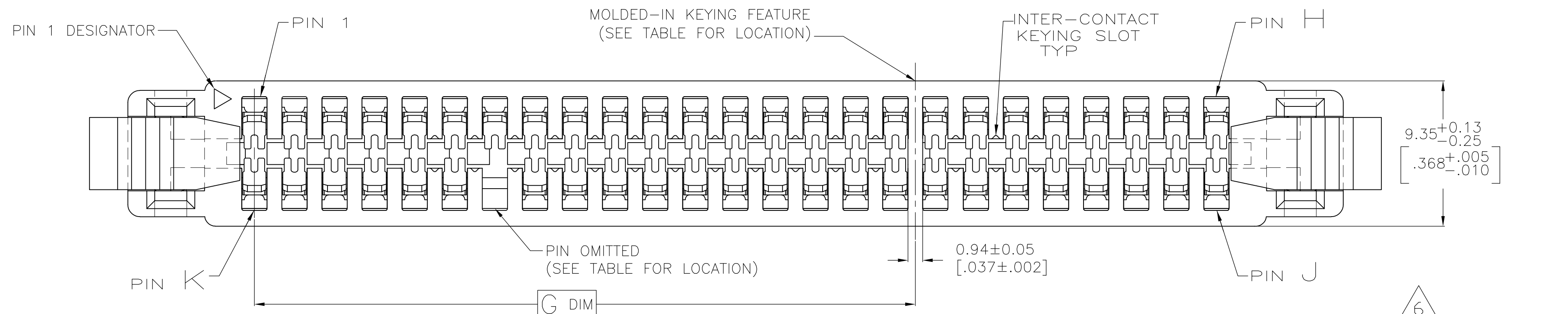
Contact us

Tel: +86-755-8981 8866 Fax: +86-755-8427 6832

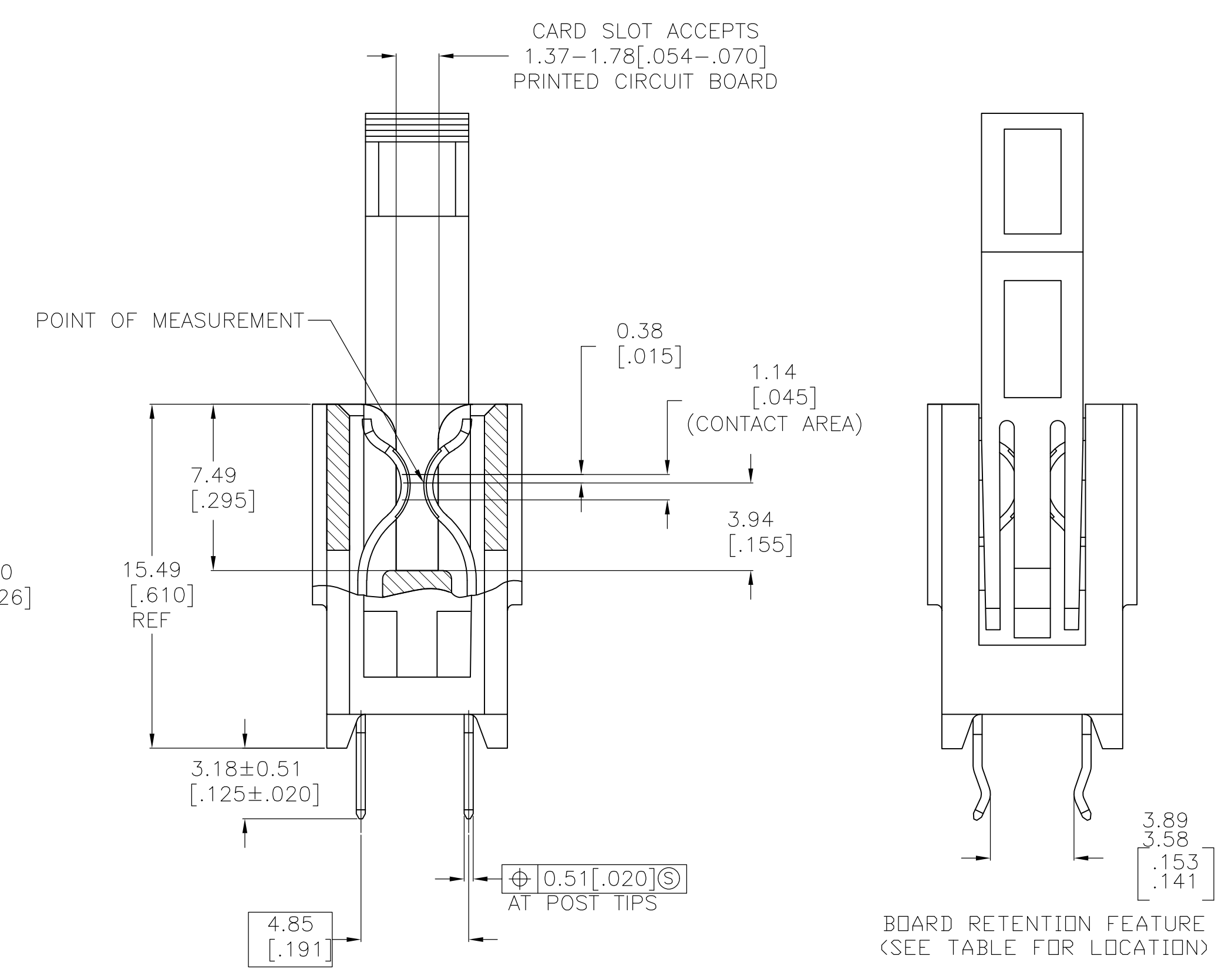
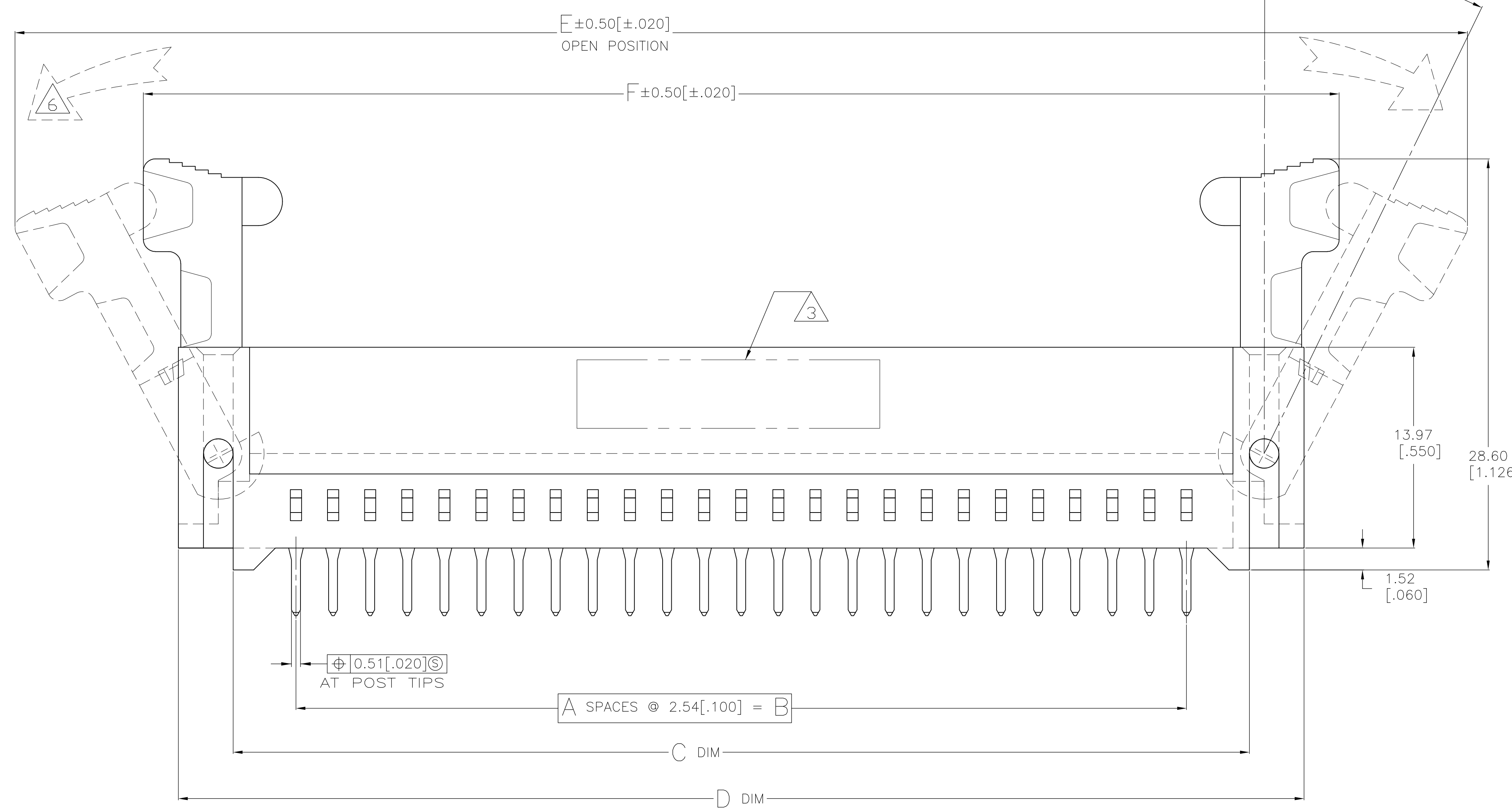
Email & Skype: info@chipsmall.com Web: www.chipsmall.com

Address: A1208, Overseas Decoration Building, #122 Zhenhua RD., Futian, Shenzhen, China





- MATERIAL:
HOUSING: GLASS FILLED POLYESTER, COLOR: BLACK.
CONTACT: PHOSPHOR BRONZE
LATCH: GLASS FILLED POLYESTER, COLOR: BLACK
- FINISH:
0.00076[.000030] MIN GOLD PLATE IN CONTACT AREA,
0.00254[.000100] MIN MATTE TIN ON SOLDER POSTS, ALL
OVER 0.00127[.000050] MIN NICKEL
- AMP LOGO, TE PART NUMBER, DATE CODE AND CSA LOGO INK
STAMPED WHITE (HOT STAMPED OR LAZER PRINTED) IN THE APPROXIMATE
AREA SHOWN, EITHER SIDE PERMISSABLE, WHEN HOUSING SIZE PERMITS
- DATUMS AND BASIC DIMENSIONS ESTABLISHED BY CUSTOMER
- CONNECTORS SHOWN ARE USED IN APPLICATIONS WITH VRM MODULES WEIGHING
3 OUNCES OR LESS. ALTERNATE CONNECTOR AND LATCH METHOD IS AVAILABLE FOR
VRM MODULES WEIGHING UP TO 6 OUNCES.
- CAUTION: LATCHES ARE INTENDED FOR RETENTION OF PC BOARD TO CONNECTOR,
DO NOT ATTEMPT TO FULLY EJECT PC BOARD FROM CONNECTOR WHILE DISENGAGING
LATCHES. DAMAGE TO LATCHES AND/OR CONNECTOR MAY OCCUR



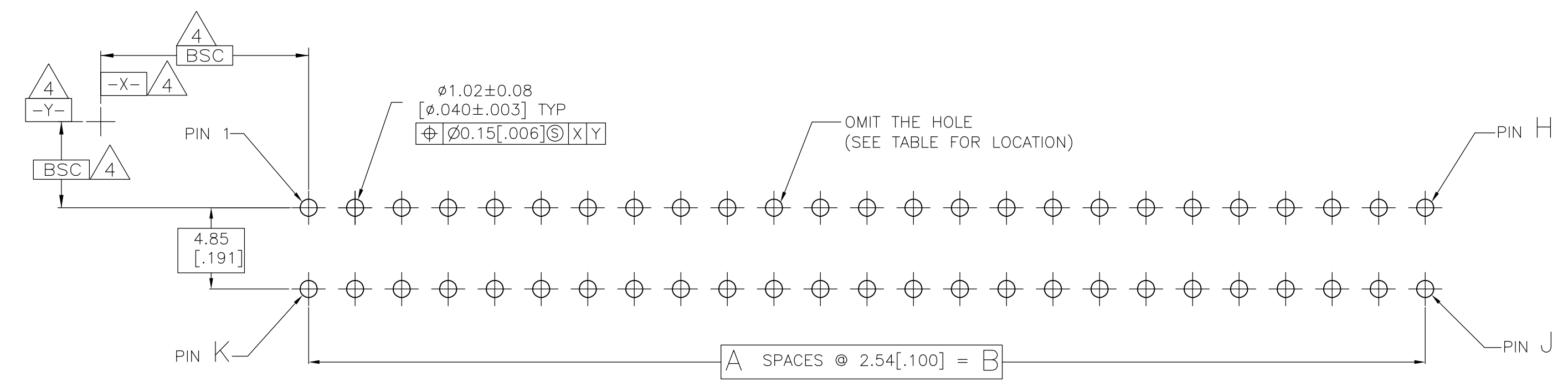
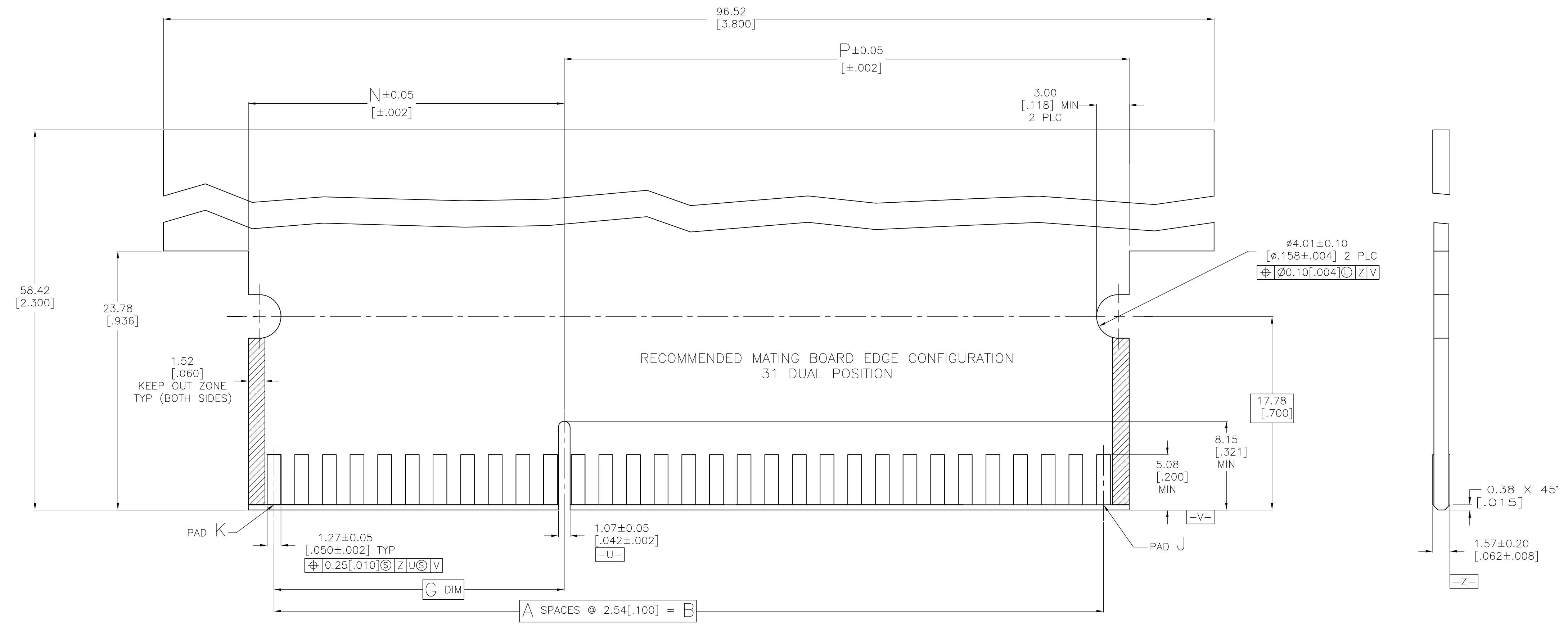
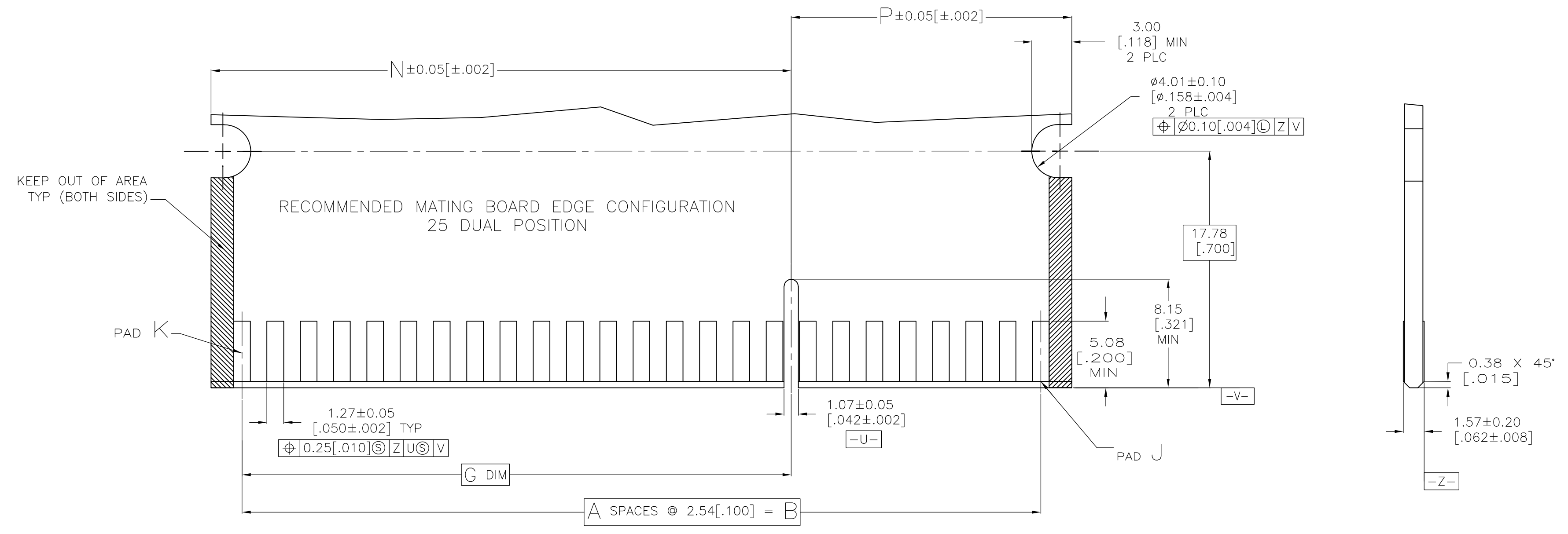
OBsolete	5145432-7
OBsolete	5145432-6
OBsolete	5145432-4
OBsolete	5145432-3
	PART NUMBER

2, 3, 23, 24, 27, 28, 48, 49	21 & 22	44	11.25 [.443]	54.43 [2.143]	50	26	25	52.07 [2.050]	79.60 [3.130]	97.10 [3.820]	74.78 [2.944]	67.28 [2.649]	60.96 [2.400]	24	25	5145432-8
2, 3, 29, 30, 33, 34, 60, 61	7 & 8	6	62.05 [2.443]	18.87 [.743]	62	32	31	16.51 [.650]	94.80 [3.730]	112.40 [4.420]	90.02 [3.544]	82.52 [3.249]	76.20 [3.000]	30	31	5145432-5
2, 3, 23, 24, 27, 28, 48, 49	17 & 18	44	21.41 [.843]	44.27 [1.743]	50	26	25	41.91 [1.650]	79.60 [3.130]	97.10 [3.820]	74.78 [2.944]	67.28 [2.649]	60.96 [2.400]	24	25	5145432-2
RETENTION FEATURE LOCATION	MOLDED-IN KEYING FEATURE BETWEEN	OMITTED PIN & HOLE	P	N	K	J	H	G	F	E	D	C	B	A	NO OF DUAL POSN	PART NUMBER

THIS DRAWING IS A CONTROLLED DOCUMENT.

DIMENSIONS: mm [INCHES]	TOLERANCES UNLESS OTHERWISE SPECIFIED:	DIN AWF/L.A.MAYER 01APR2008	AWF/L.A.MAYER 01APR2008	01APR2008	01APR2008	01APR2008	01APR2008	01APR2008	01APR2008	01APR2008	01APR2008	01APR2008	01APR2008	01APR2008	01APR2008	01APR2008	01APR2008
0 PLC ± -	1 PLC ± -	2 PLC ± -	3 PLC ± 0.13[.005]	4 PLC ± -	ANGLES ± 2°	01APR2008	01APR2008	01APR2008	01APR2008	01APR2008	01APR2008	01APR2008	01APR2008	01APR2008	01APR2008	01APR2008	01APR2008
SEE NOTE 1	SEE NOTE 2	AWF/L.A.MAYER	A.W.FRANTUM	S.FLICKINGER	NAME	CONNECTOR ASSEMBLY, STANDARD EDGE II, DUAL POSITION, 2.54[.100] CENTERLINE	108-9039	114-13018	100779	5145432	5145432	5145432	5145432	5145432	5145432	5145432	5145432

CUSTOMER DRAWING SCALE 5:1 SHEET 1 OF 2 REV C



RECOMMENDED PC BOARD HOLE LAYOUT

THIS DRAWING IS A CONTROLLED DOCUMENT.		DIN AWF/L.A.MAYER 01APR2008	Tyco Electronics Tyco Electronics Corporation Harrisburg, PA 17105-3608
DIMENSIONS: mm [INCHES]		CHK A.W.FRANTUM 01APR2008	
TOLERANCES UNLESS OTHERWISE SPECIFIED:		APVD S.FLICKINGER 01APR2008	NAME
0 PLC ± -	1 PLC ± -	2 PLC ± -	108-9039
3 PLC ± 0.13[.005]	4 PLC ± ± 2°	ANGLES	APPLICATION SPEC
MATERIAL SEE NOTE 1	FINISH SEE NOTE 2	WEIGHT	114-13018
CUSTOMER DRAWING		SCALE 4:1	SHEET 2 OF 2