



Chipsmall Limited consists of a professional team with an average of over 10 year of expertise in the distribution of electronic components. Based in Hongkong, we have already established firm and mutual-benefit business relationships with customers from,Europe,America and south Asia,supplying obsolete and hard-to-find components to meet their specific needs.

With the principle of "Quality Parts,Customers Priority,Honest Operation,and Considerate Service",our business mainly focus on the distribution of electronic components. Line cards we deal with include Microchip,ALPS,ROHM,Xilinx,Pulse,ON,Everlight and Freescale. Main products comprise IC,Modules,Potentiometer,IC Socket,Relay,Connector.Our parts cover such applications as commercial,industrial, and automotives areas.

We are looking forward to setting up business relationship with you and hope to provide you with the best service and solution. Let us make a better world for our industry!



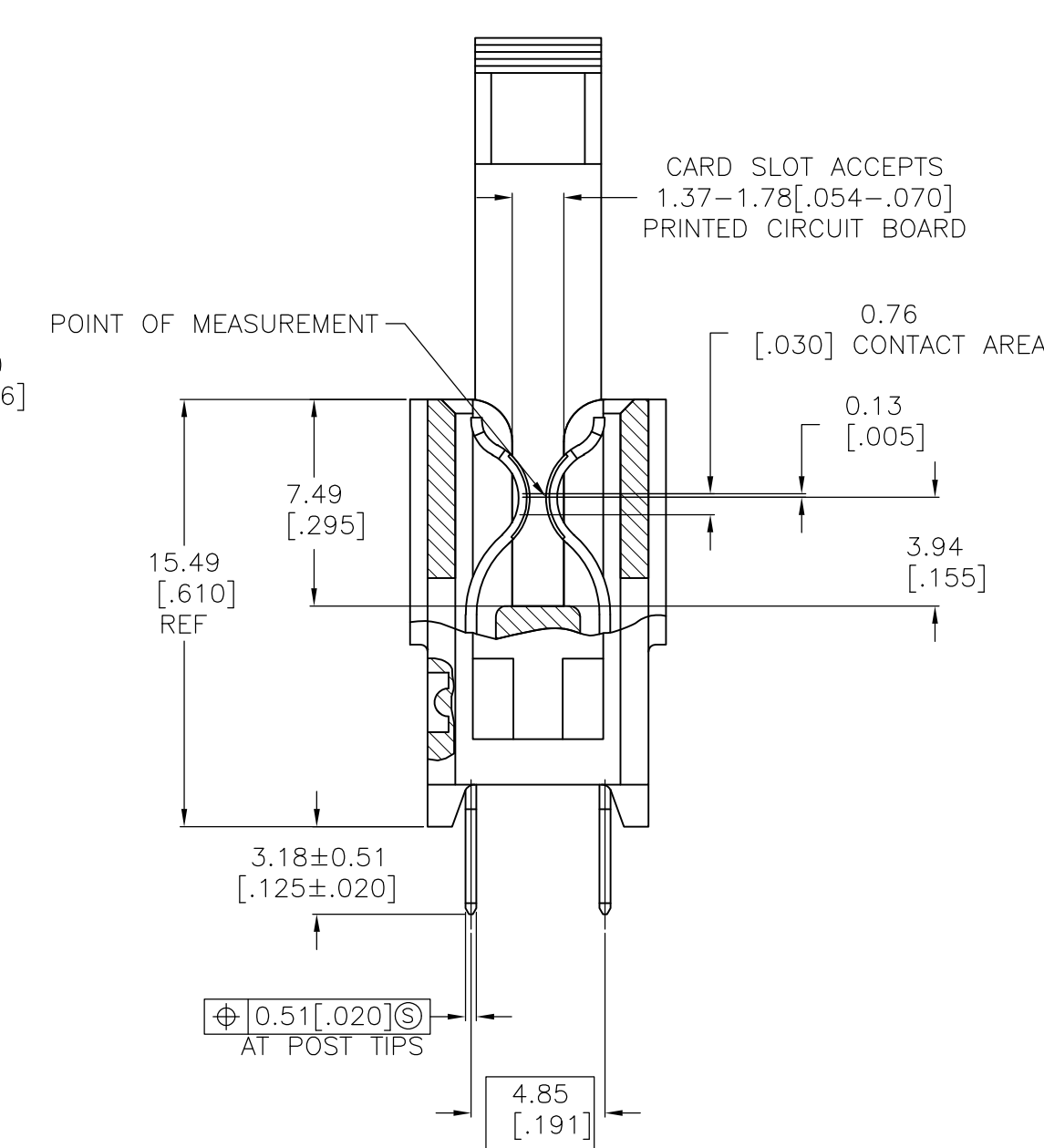
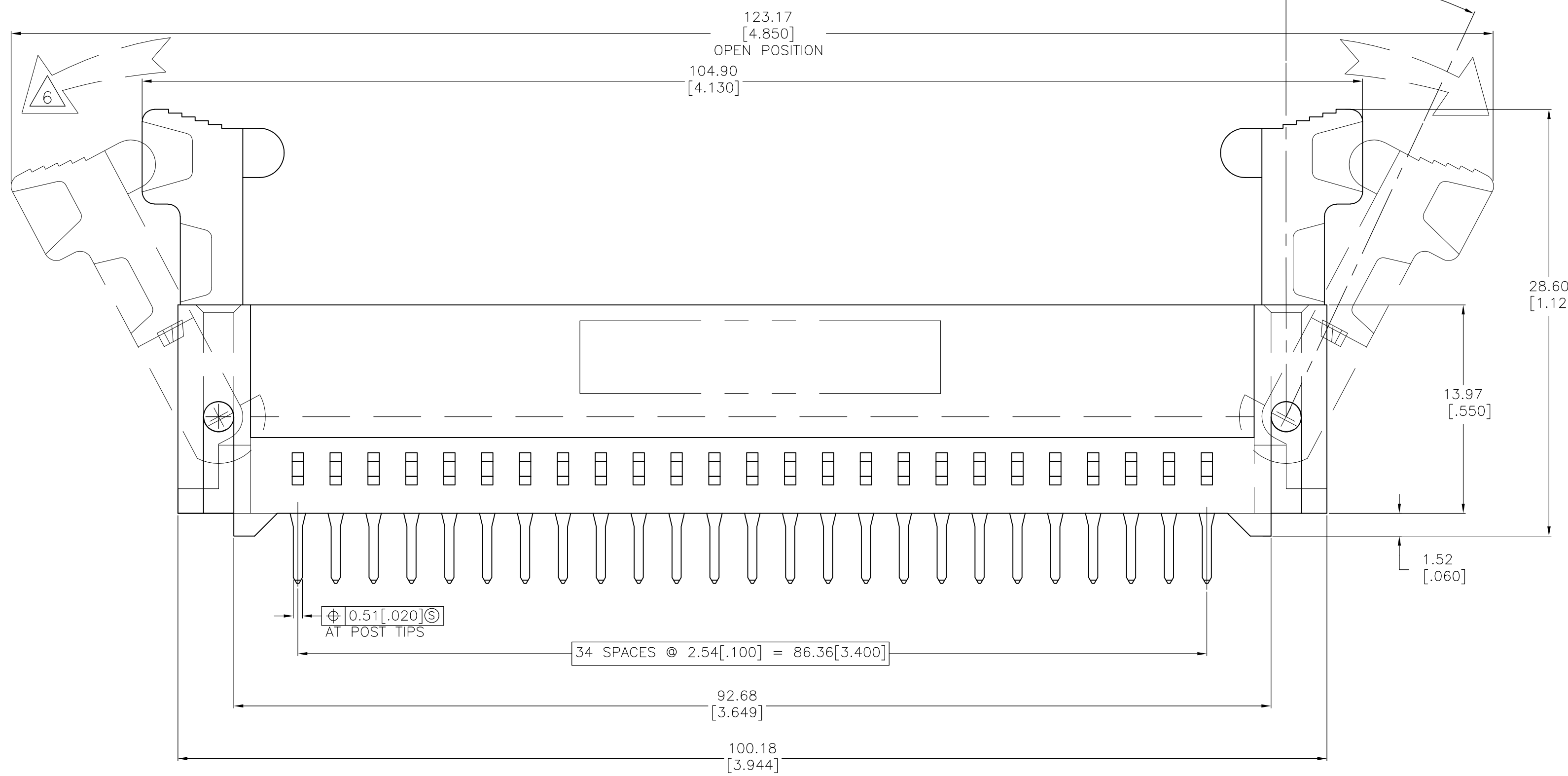
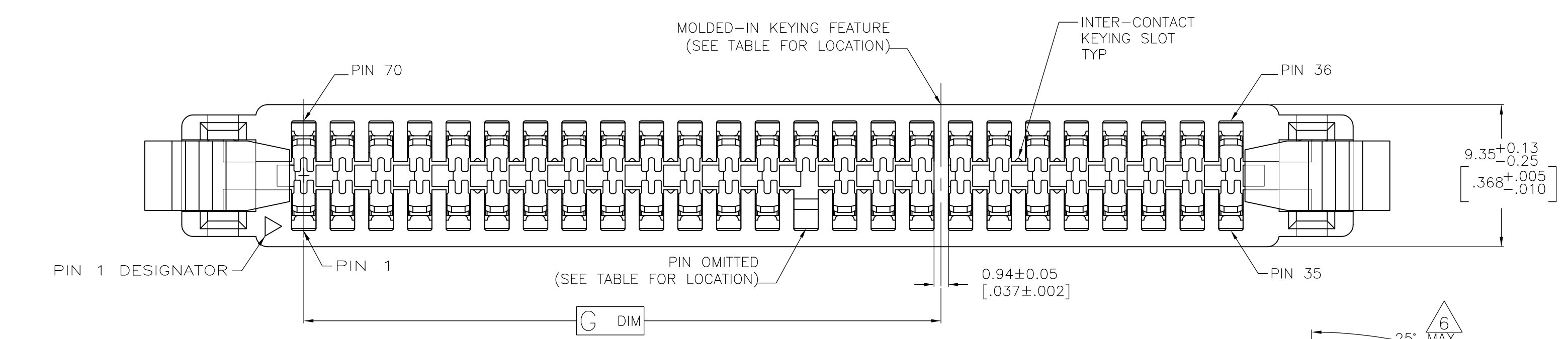
Contact us

Tel: +86-755-8981 8866 Fax: +86-755-8427 6832

Email & Skype: info@chipsmall.com Web: www.chipsmall.com

Address: A1208, Overseas Decoration Building, #122 Zhenhua RD., Futian, Shenzhen, China





- MATERIAL:
HOUSING: GLASS FILLED POLYESTER, COLOR: BLACK.
CONTACT: PHOS BRONZE
LATCH: GLASS FILLED POLYESTER, COLOR: BLACK
- FINISH:
0.00076[.000030] MIN GOLD PLATE IN CONTACT AREA,
0.00254[.000100] MIN MATTE TIN ON SOLDER POSTS, ALL
OVER 0.00127[.000050] MIN NICKEL
- AMP LOGO, TE PART NUMBER, DATE CODE AND CSA LOGO INK
STAMPED WHITE (HOT STAMPED OR LAZER PRINTED) IN THE APPROXIMATE
AREA SHOWN, EITHER SIDE PERMISSABLE, WHEN HOUSING SIZE PERMITS
- DATUMS AND BASIC DIMENSIONS ESTABLISHED BY CUSTOMER
- CONNECTORS SHOWN ARE USED IN APPLICATIONS WITH VRM MODULES WEIGHING
3 OUNCES OR LESS. ALTERNATE CONNECTOR AND LATCH METHOD IS AVAILABLE FOR
VRM MODULES WEIGHING UP TO 6 OUNCES.
- CAUTION: LATCHES ARE INTENDED FOR RETENTION OF PC BOARD TO CONNECTOR,
DO NOT ATTEMPT TO FULLY EJECT PC BOARD FROM CONNECTOR WHILE DISENGAGING
LATCHES. DAMAGE TO LATCHES AND OR CONNECTOR MAY OCCUR
- CONNECTORS WITHOUT MOLDED-IN KEYING FEATURE REQUIRE THE USE OF INTERCONTACT
KEY PLUG 650025-2. KEY PLACEMENT WITHIN CONNECTOR AT DISCRETION OF END USER
- KEY SLOT REQUIRED WITH USE OF INTERCONTACT KEY PLUG, LOCATION TO CORRESPOND

OBBOLETE	3-5145459-1
OBBOLETE	3-5145459-0
OBBOLETE	2-5145459-5
OBBOLETE	2-5145459-2
OBBOLETE	2-5145459-1
OBBOLETE	2-5145459-0
OBBOLETE	1-5145459-5
OBBOLETE	1-5145459-4
OBBOLETE	1-5145459-3
OBBOLETE	1-5145459-0
OBBOLETE	5145459-9
OBBOLETE	5145459-7
OBBOLETE	5145459-6
OBBOLETE	5145459-4

PART NUMBER

23 & 24	31.57 [1.243]	59.51 [2.343]	57.15 [2.250]	35	5145459-5
				35	5145459-2
MOLDED-IN KEYING FEATURE LOCATED BETWEEN PINS	P	N	G	NO OF DUAL POSITIONS	PART NUMBER

THIS DRAWING IS A CONTROLLED DOCUMENT.		DIN	31MAR2008	Tyco Electronics Corporation Harrisburg, PA 17105-3608	
DIMENSIONS: mm [INCHES]		MM/LA.MAYER	31MAR2008	Tyco Electronics	
TOLERANCES UNLESS OTHERWISE SPECIFIED:		AW.FRANTUM	31MAR2008	CONNECTOR ASSEMBLY, STANDARD EDGE II, 2.54[.100] CENTERLINE	
0 PLC ± -	1 PLC ± -	S.FLICKINGER	31MAR2008	NAME	CONNECTOR ASSEMBLY, STANDARD EDGE II, 2.54[.100] CENTERLINE
2 PLC ± 0.13 [.005]	3 PLC ± -	PRODUCT SPEC	108-9039	APPLICATION SPEC	114-13018
4 PLC ± -	ANGLES ± ±	SIZE	114-13018	CAGE CODE	DRAWING NO
MATERIAL SEE NOTE 1	FINISH SEE NOTE 2	WEIGHT	—	A1 00779	5145459
CUSTOMER DRAWING		SCALE	4:1	SHEET	1 OF 2

