



Chipsmall Limited consists of a professional team with an average of over 10 year of expertise in the distribution of electronic components. Based in Hongkong, we have already established firm and mutual-benefit business relationships with customers from,Europe,America and south Asia,supplying obsolete and hard-to-find components to meet their specific needs.

With the principle of “Quality Parts,Customers Priority,Honest Operation,and Considerate Service”,our business mainly focus on the distribution of electronic components. Line cards we deal with include Microchip,ALPS,ROHM,Xilinx,Pulse,ON,Everlight and Freescale. Main products comprise IC,Modules,Potentiometer,IC Socket,Relay,Connector.Our parts cover such applications as commercial,industrial, and automotives areas.

We are looking forward to setting up business relationship with you and hope to provide you with the best service and solution. Let us make a better world for our industry!



Contact us

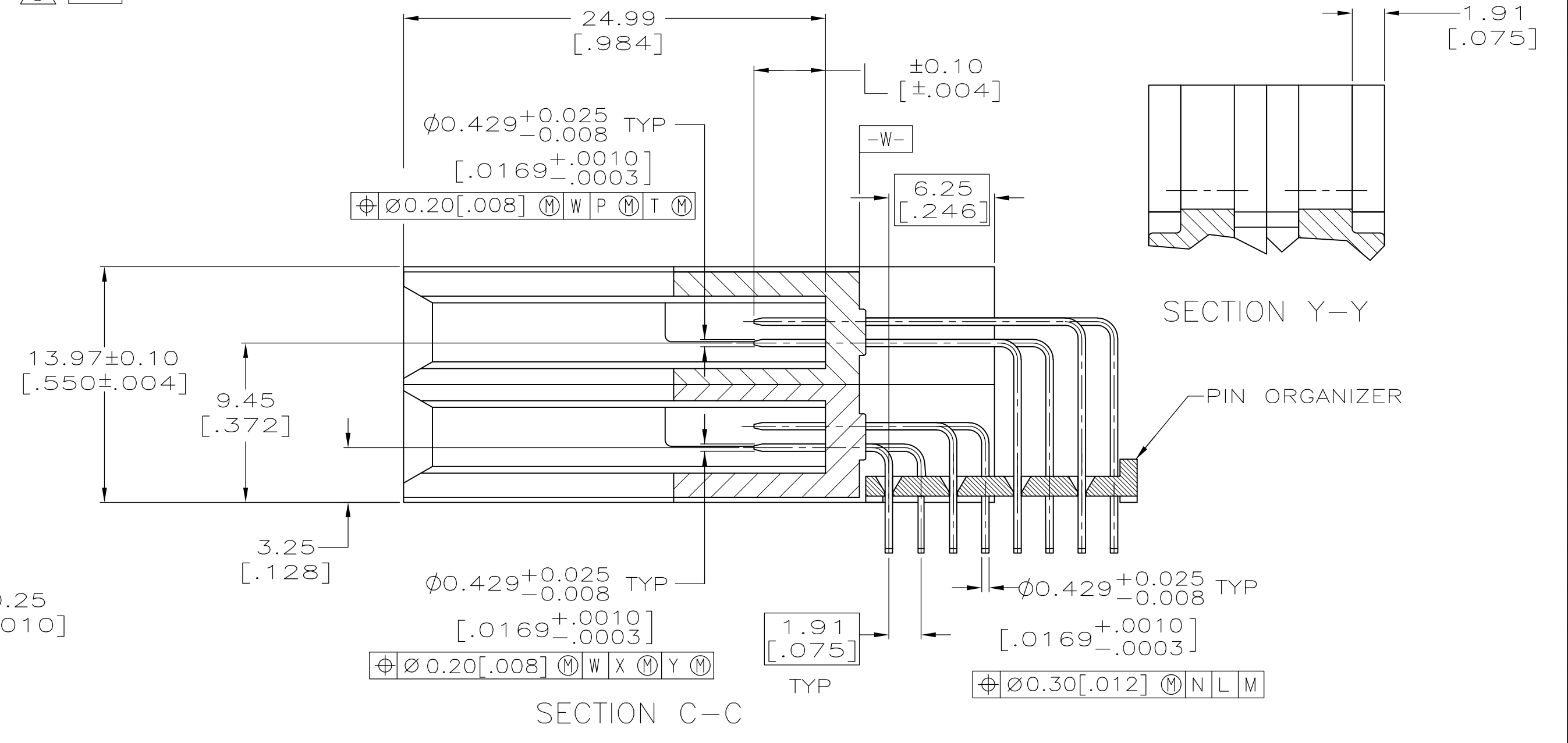
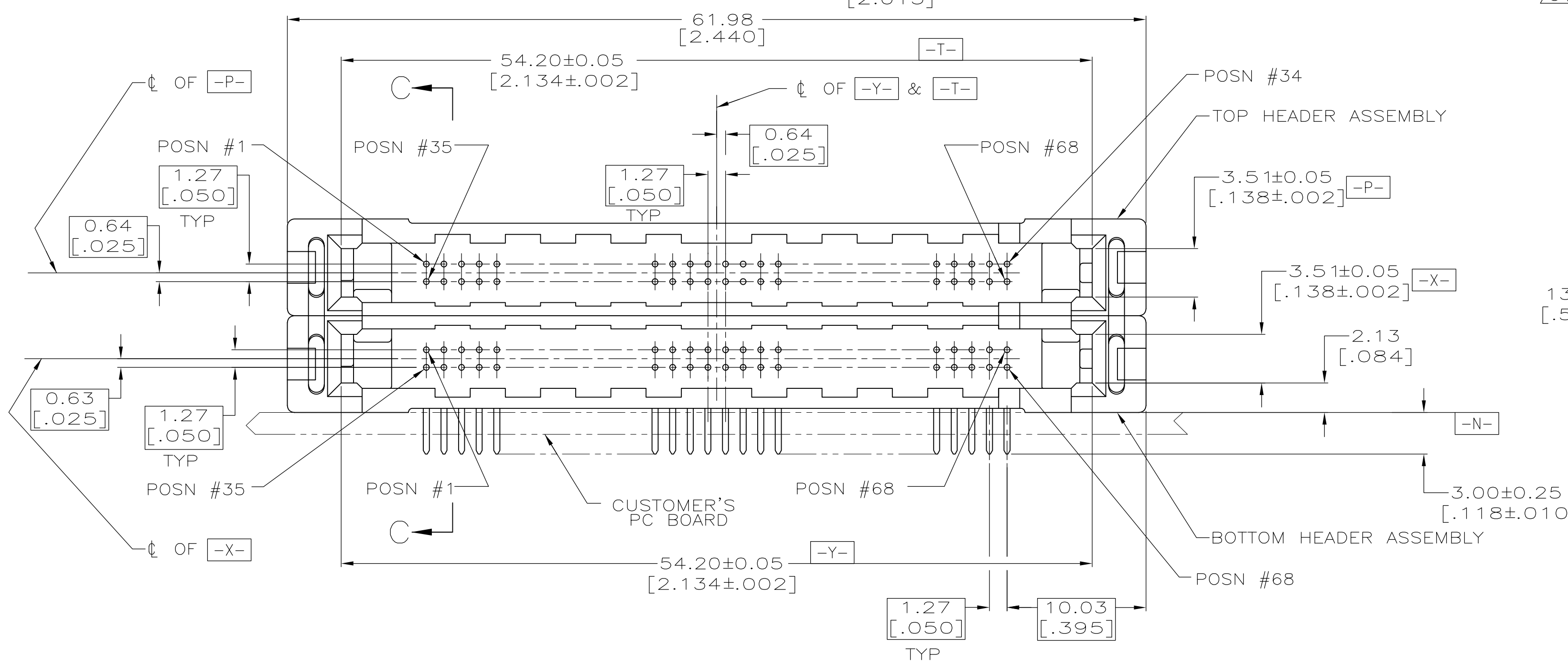
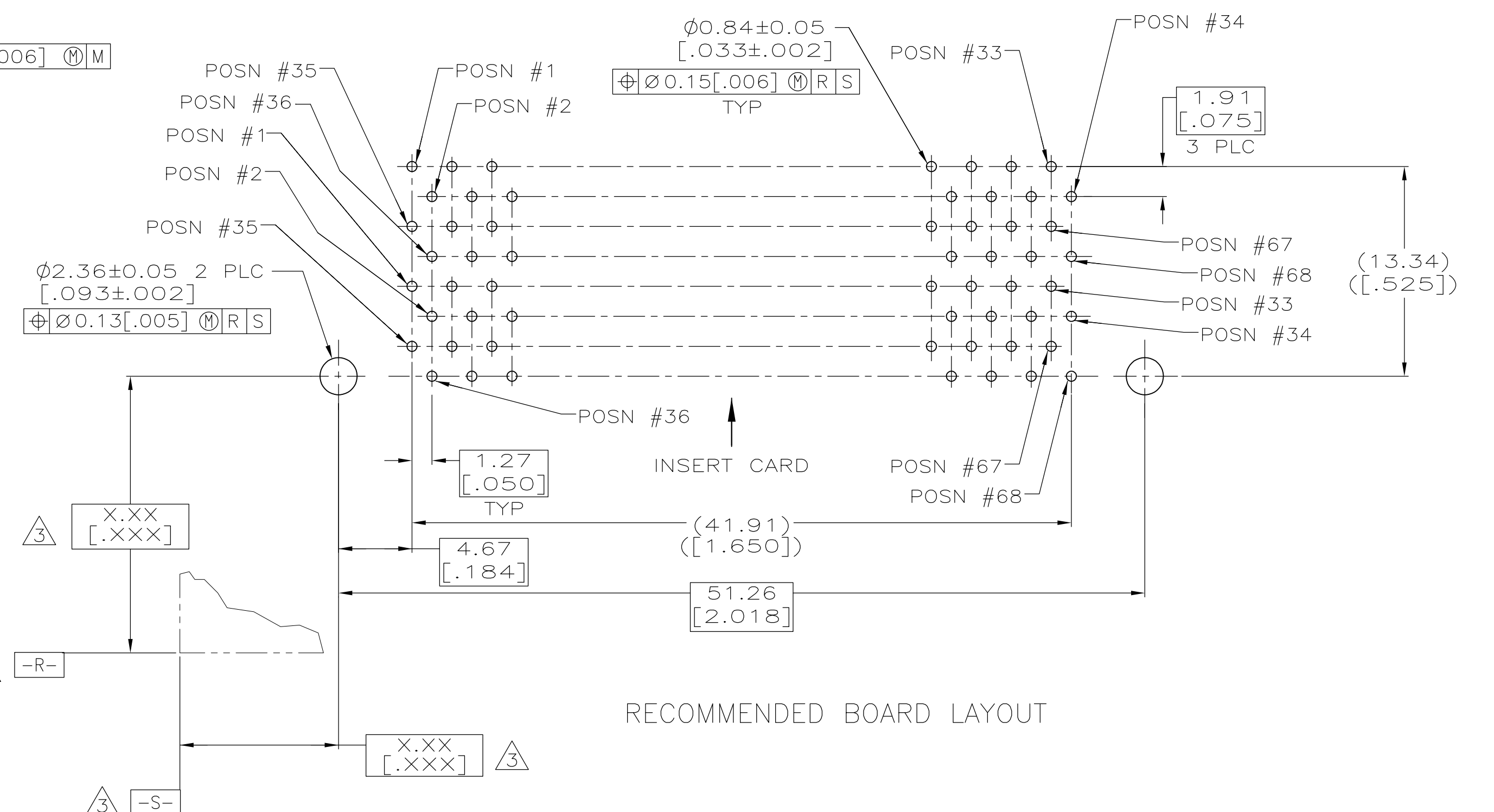
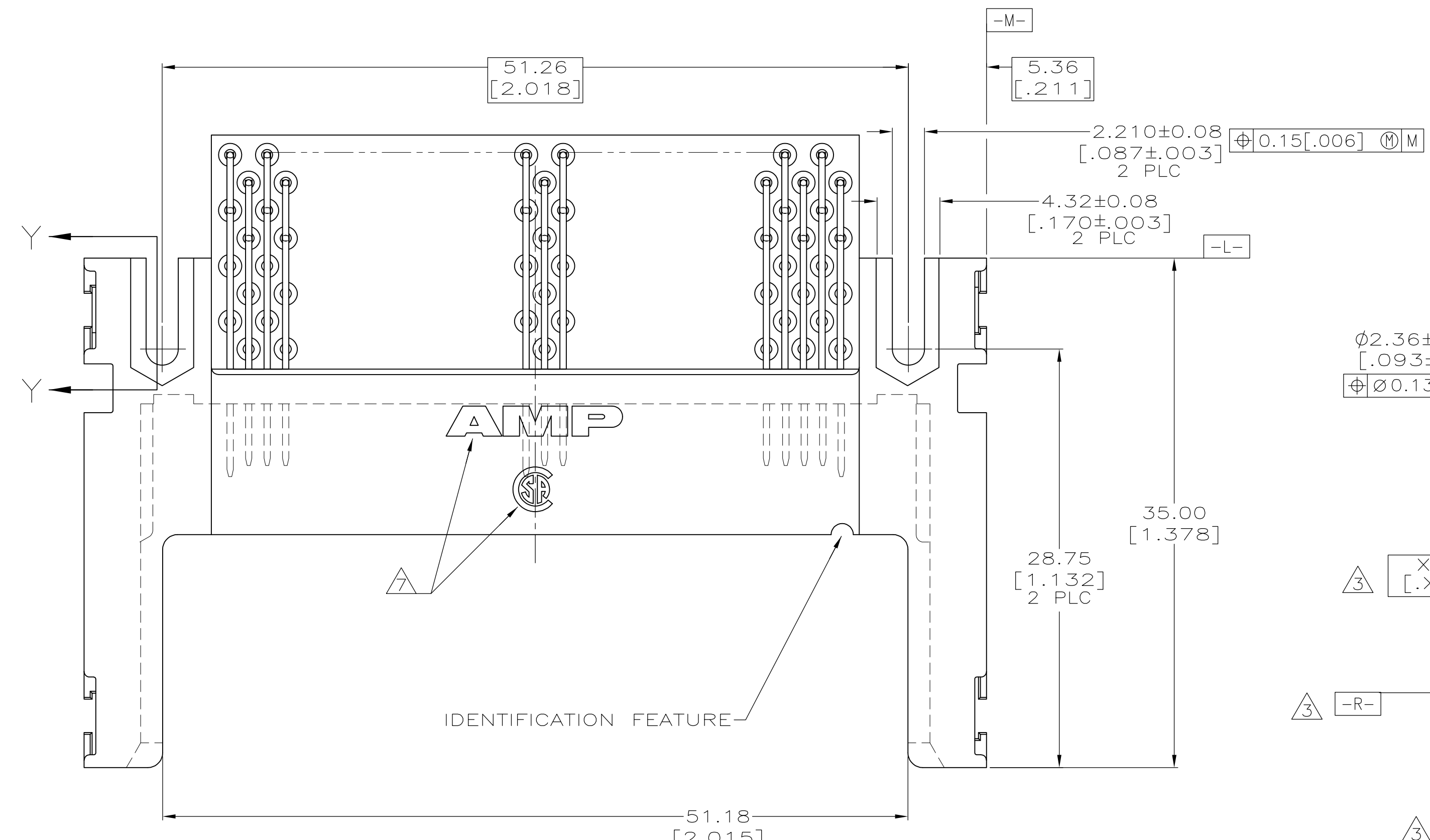
Tel: +86-755-8981 8866 Fax: +86-755-8427 6832

Email & Skype: info@chipsmall.com Web: www.chipsmall.com

Address: A1208, Overseas Decoration Building, #122 Zhenhua RD., Futian, Shenzhen, China



LOC		DIST		REVISONS			
CP	00	P	LTR	DESCRIPTION	DATE	DWN	APVD
		0		REL PER EC 0513-0031-05	03-24-05	AF	JG
		01		REVISED PER ECO-09-024927	07NOV09	KK	AEG



- ① PIN: 0.00076[.000030] MINIMUM GOLD IN CONTACT AREA, 0.00381[.000150] MIN TIN ON SOLDER TAILS, ALL OVER 0.00127[.000050] MINIMUM NICKEL
- 2 CUSTOMER TO PROVIDE CARD GUIDANCE SYSTEM
- ③ DATUMS AND BASIC DIMENSIONS ESTABLISHED BY CUSTOMER
- 4 CONNECTOR REQUIRES USE OF 2 - SIZE 2M SCREWS FOR FASTENING TO PRINTED CIRCUIT BOARD
- ⑤ ASSEMBLY KEYED FOR 5 VOLT CARDS
- ⑥ ASSEMBLY KEYED FOR LOW VOLT CARDS (3.3V)
- ⑦ RECESSED AMP AND CSA LOGOS LOCATED ON BOTH SIDES OF HOUSINGS.
- ⑧ MATERIAL: HOUSING & ORGANIZER: LCP, COLOR; BLACK
PIN: BRASS & PHOSPHOR BRONZE

⑨ OBSOLETE PARTS: OBSOLETE CIS STREAMLINING PER D.RENAUD/D.SINISI

⑨ OBSOLETE	⑥	1,17,34	ALL OTHER PINS	36,67	-5146027-2-
		35,51,68	ALL OTHER PINS	36,67	5146027-1
VOLTAGE KEYING	⑤	5.0	4.25	3.5	PART NUMBER
		[.197]	[.167]	[.138]	
"L" (PIN LENGTH) AND LOCATION					

DIMENSIONS: mm [INCHES]		TOLERANCES UNLESS OTHERWISE SPECIFIED:		MATERIAL	
0 PLC	± .005	1 PLC	± .005	⑧	①
2 PLC	± .010	3 PLC	± .013 [005]		
4 PLC	± .015	ANGLES	± .010		
MATERIAL		FINISH		WEIGHT	
				16.1 GRAMS	
THIS DRAWING IS A CONTROLLED DOCUMENT.		DWN A. FERNANDEZ-DOCK5 03-24-05		Tyco Electronics Corporation Harrisburg, PA 17105-3608	
CHK D.L. GORENC 03-24-05		APVD M. WALMSLEY 03-24-05		NAME	
PRODUCT SPEC		APPLICATION SPEC		SIZE CAGE CODE DRAWING NO	
				A1 00779 C=5146027	
CUSTOMER DRAWING		SCALE 4:1		SHEET 1 OF 1 REV 01	

COPYRIGHT 2005 TYCO ELECTRONICS CORP ALL RIGHTS RESERVED