



Chipsmall Limited consists of a professional team with an average of over 10 year of expertise in the distribution of electronic components. Based in Hongkong, we have already established firm and mutual-benefit business relationships with customers from,Europe,America and south Asia,supplying obsolete and hard-to-find components to meet their specific needs.

With the principle of "Quality Parts,Customers Priority,Honest Operation,and Considerate Service",our business mainly focus on the distribution of electronic components. Line cards we deal with include Microchip,ALPS,ROHM,Xilinx,Pulse,ON,Everlight and Freescale. Main products comprise IC,Modules,Potentiometer,IC Socket,Relay,Connector.Our parts cover such applications as commercial,industrial, and automotives areas.

We are looking forward to setting up business relationship with you and hope to provide you with the best service and solution. Let us make a better world for our industry!



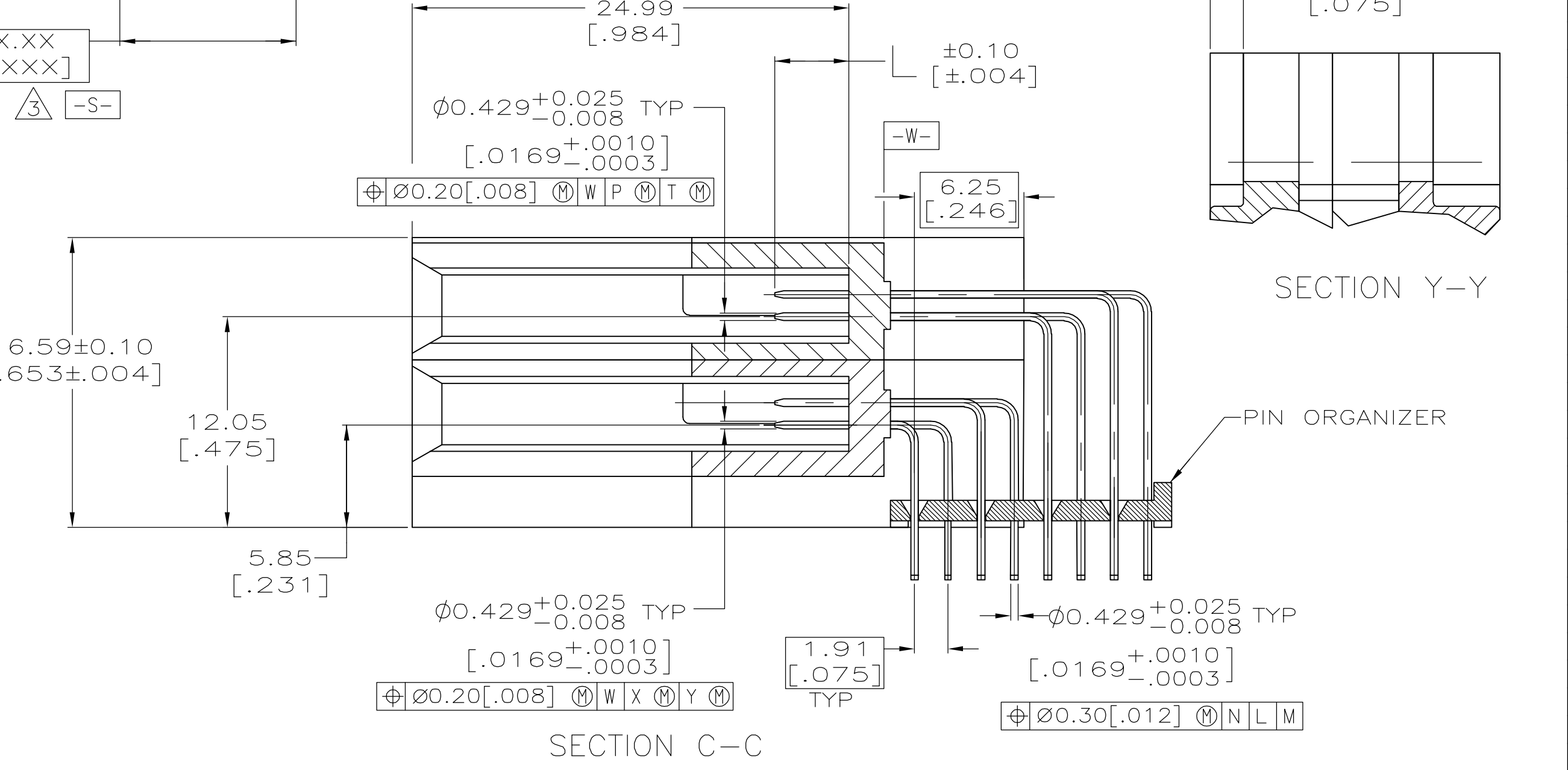
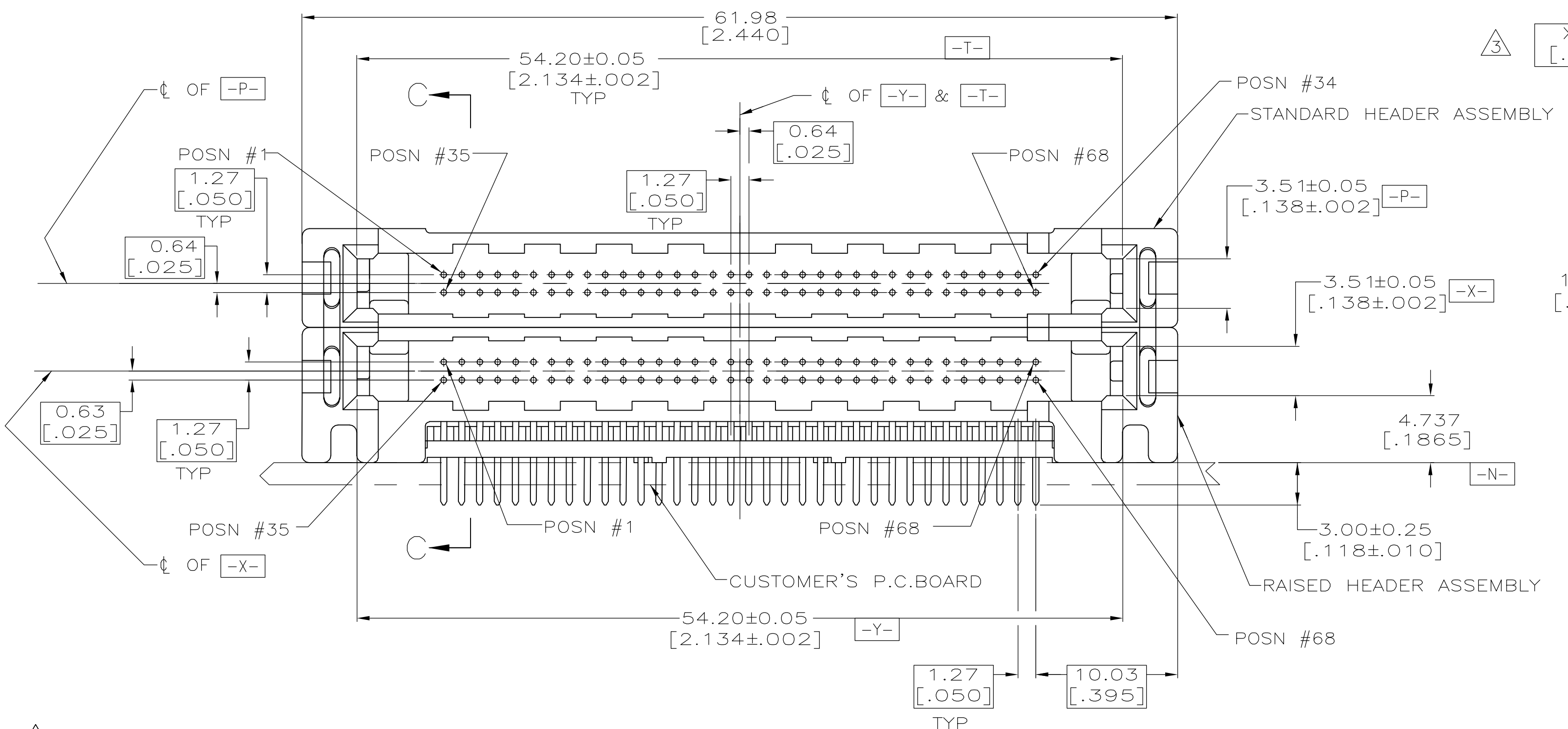
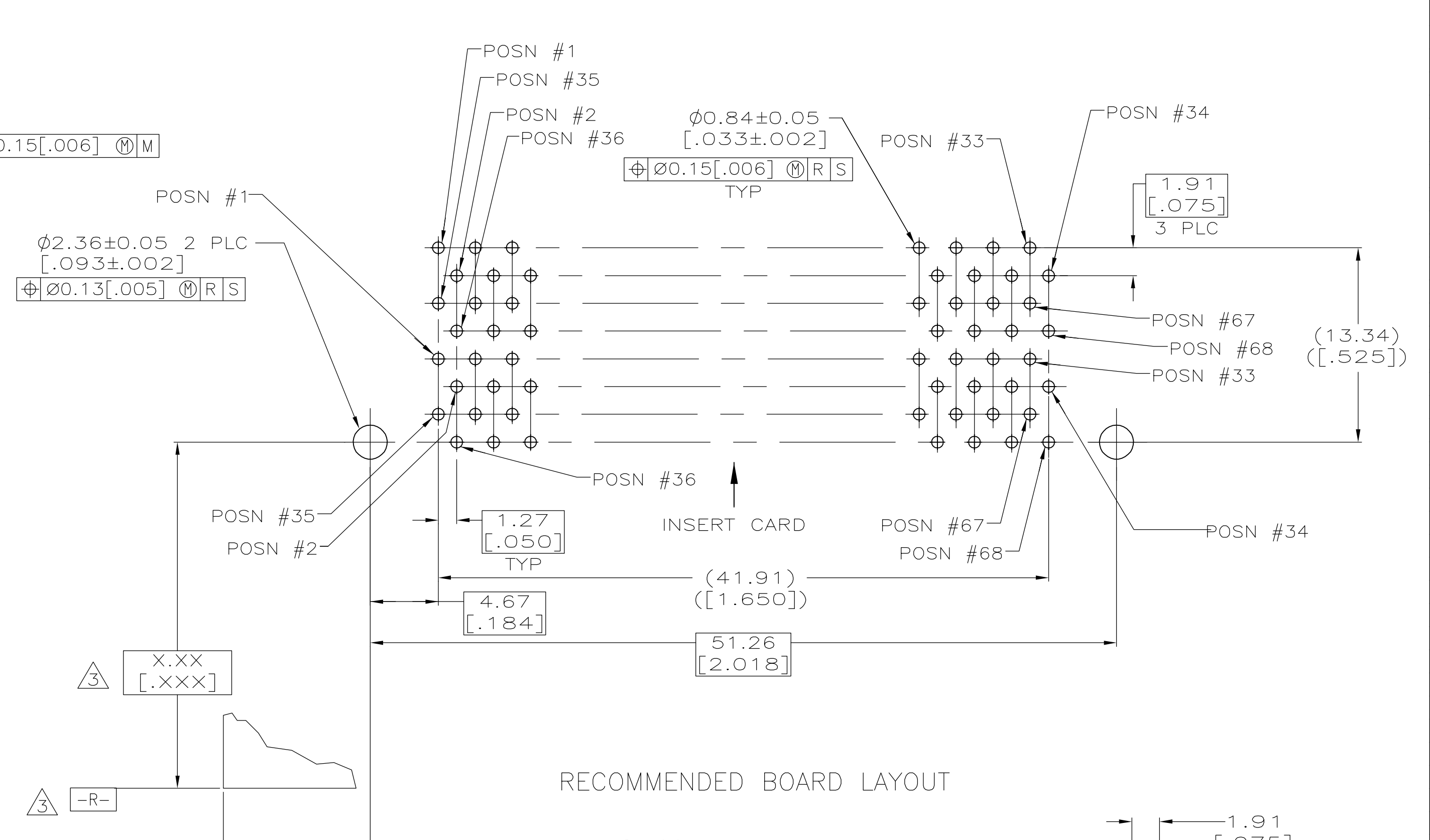
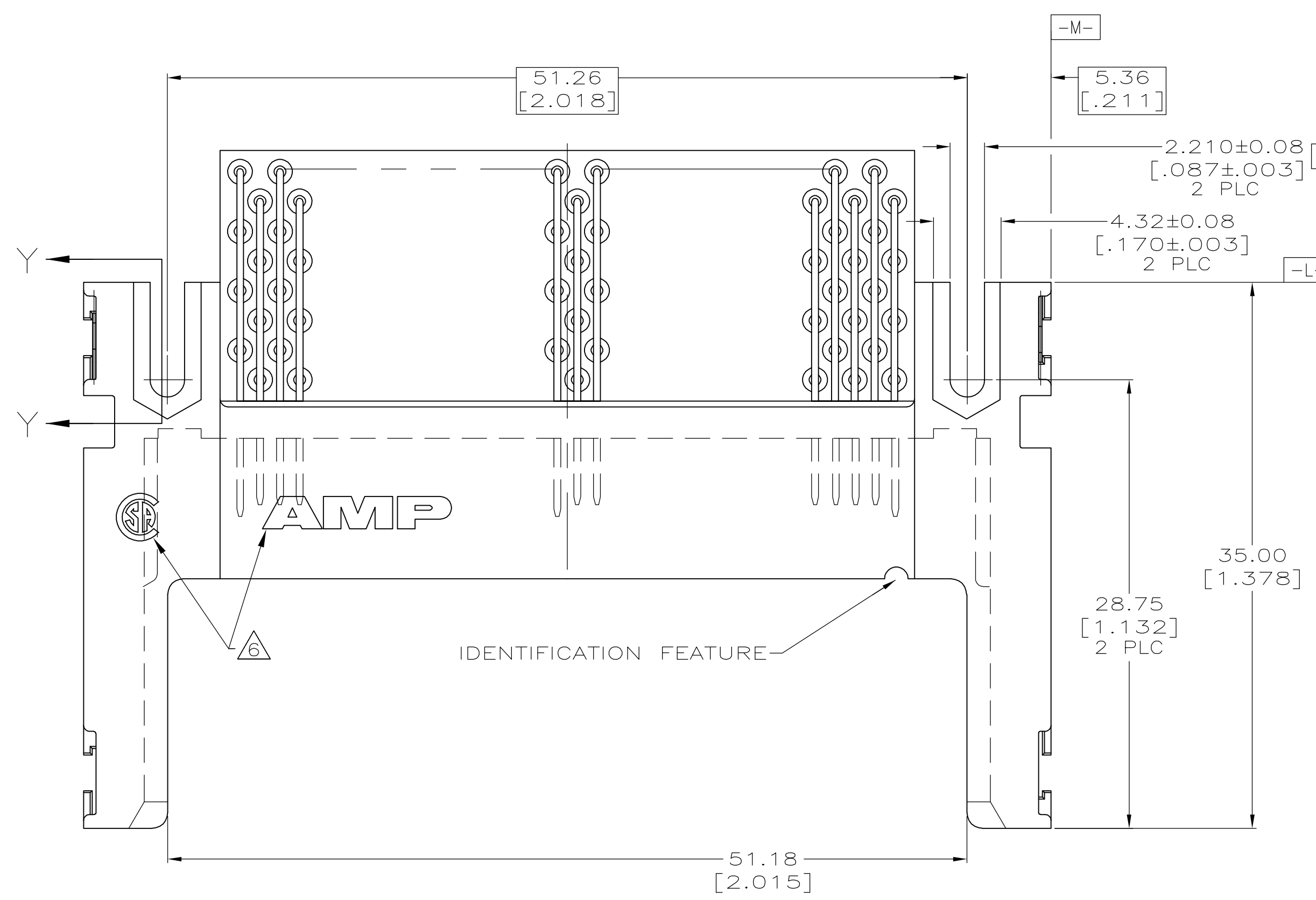
Contact us

Tel: +86-755-8981 8866 Fax: +86-755-8427 6832

Email & Skype: info@chipsmall.com Web: www.chipsmall.com

Address: A1208, Overseas Decoration Building, #122 Zhenhua RD., Futian, Shenzhen, China





- 1 PINS: 0.00076[.000030] MINIMUM GOLD IN CONTACT AREA, 0.00381[.000150] MIN TIN ON SOLDER TAILS, ALL OVER 0.00127[.000050] MINIMUM NICKEL. STACKING CLIPS; NICKEL PLATED ONLY.
- 2. CUSTOMER TO PROVIDE CARD GUIDANCE SYSTEM
- 3 DATUMS AND BASIC DIMENSIONS ESTABLISHED BY CUSTOMER
- 4. CONNECTOR REQUIRES USE OF 2 - SIZE 2M SCREWS FOR FASTENING TO PRINTED CIRCUIT BOARD
- 5 ASSEMBLY KEYED FOR 5 VOLT CARDS
- 6 RECESSED AMP AND CSA LOGOS LOCATED ON BOTH SIDES OF THE HOUSING
- 7 MATERIAL: HOUSING & ORGANIZER; LCP; COLOR, BLACK
PIN; BRASS & PHOSPHOR BRONZE
STACKING CLIP; PHOSPHOR BRONZE

**COPYRIGHT 2005
 TYCO ELECTRONICS CORP
 ALL RIGHTS RESERVED**

5	1,17,34	ALL	36,67	5146046-1
	35,51,68	OTHER PINS		
VOLTAGE KEYING	5.0 [0.197]	4.25 [0.167]	3.5 [0.138]	PART NUMBER
"L" (PIN LENGTH) AND LOCATION				
THIS DRAWING IS A CONTROLLED DOCUMENT.				
DIMENSIONS:		TOLERANCES UNLESS OTHERWISE SPECIFIED:		DWN G. ATTADIA - DOCK5 03-23-05 CHK D.L. GORENC 03-23-05 APVD M. WALSMLEY 03-23-05 NAME PRODUCT SPEC APPLICATION SPEC SIZE CAE CODE DRAWING NO WEIGHT 18.5 GRAMS CUSTOMER DRAWING
MATERIAL		FINISH		Tyco Electronics Corporation Harrisburg, PA 17105-3608 STACKED PIN HEADER ASSEMBLY, 136 POSN, TOP BD MTG, THRU-HOLE, WITH 2 STACKING CLIPS, RAISED & STANDARD HEIGHT, AMP MEMORY CARD SCALE 4:1 SHEET 1 OF 1 REV 0