



Chipsmall Limited consists of a professional team with an average of over 10 year of expertise in the distribution of electronic components. Based in Hongkong, we have already established firm and mutual-benefit business relationships with customers from,Europe,America and south Asia,supplying obsolete and hard-to-find components to meet their specific needs.

With the principle of “Quality Parts,Customers Priority,Honest Operation,and Considerate Service”,our business mainly focus on the distribution of electronic components. Line cards we deal with include Microchip,ALPS,ROHM,Xilinx,Pulse,ON,Everlight and Freescale. Main products comprise IC,Modules,Potentiometer,IC Socket,Relay,Connector.Our parts cover such applications as commercial,industrial, and automotives areas.

We are looking forward to setting up business relationship with you and hope to provide you with the best service and solution. Let us make a better world for our industry!



## Contact us

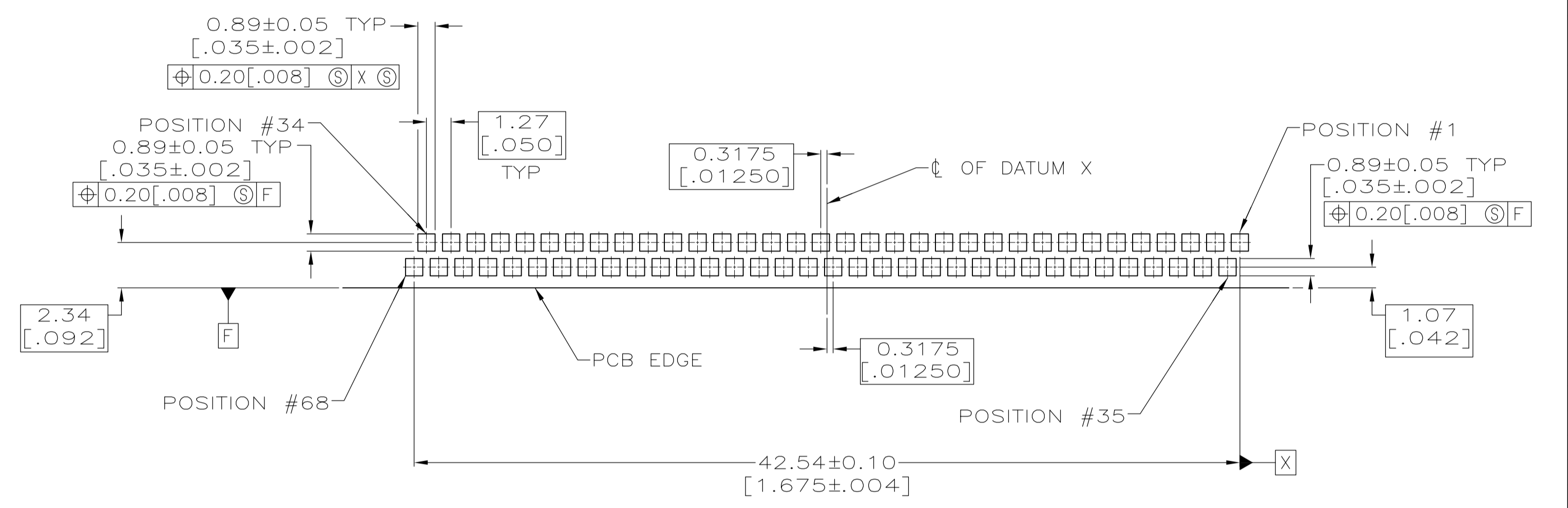
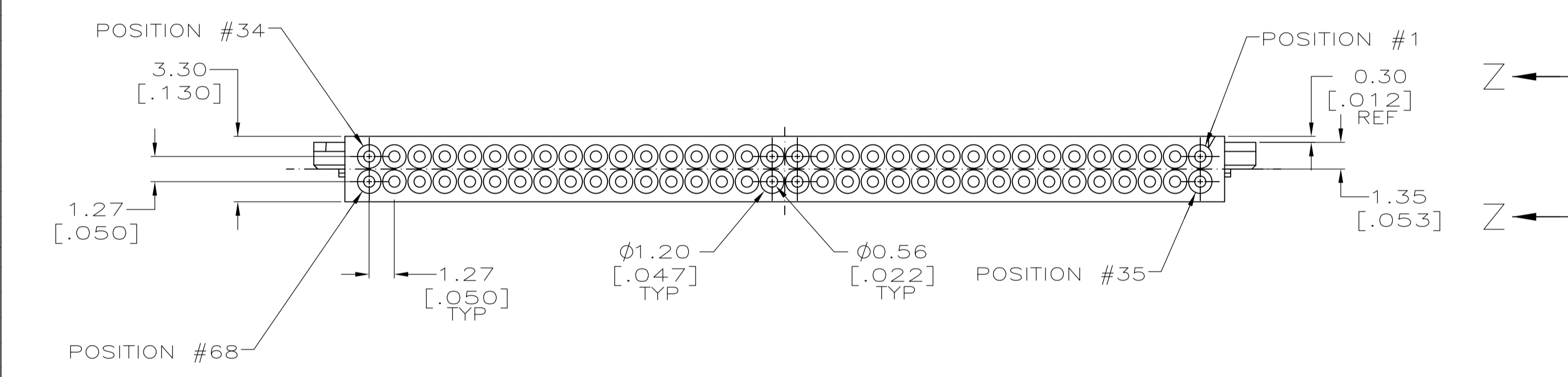
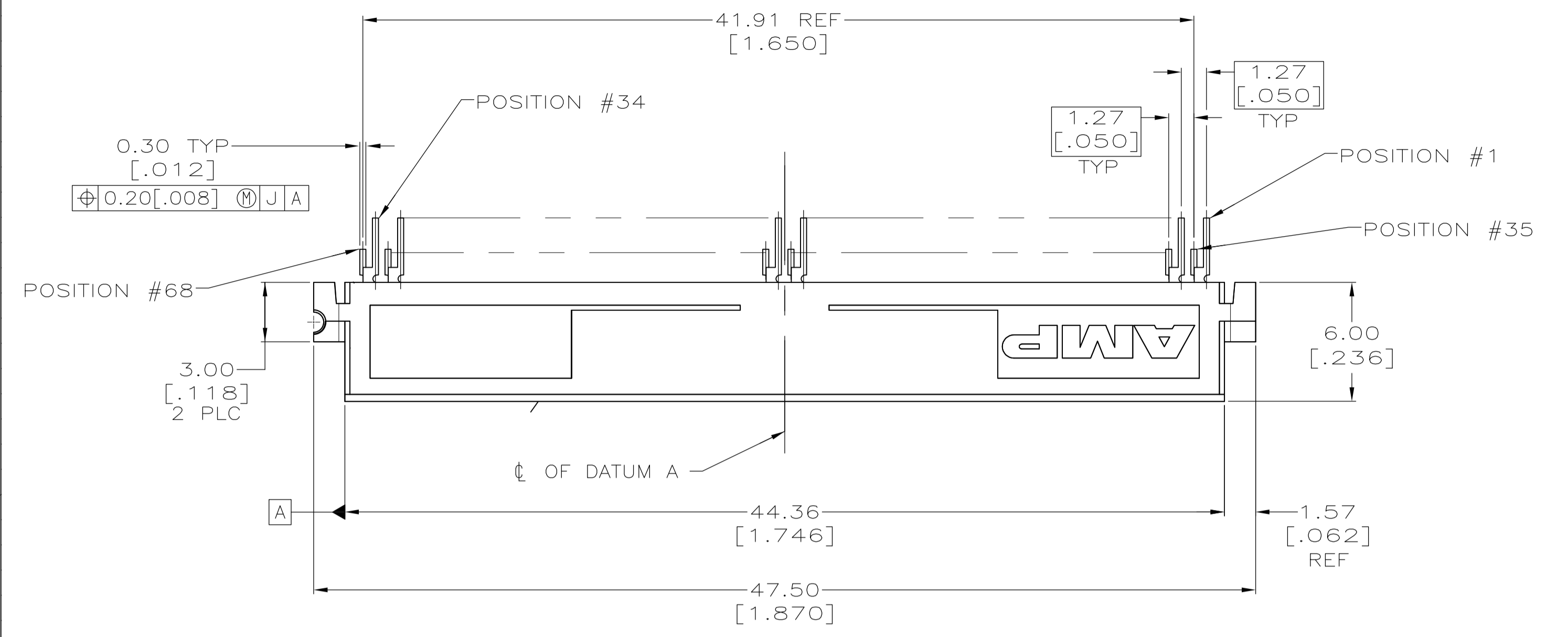
Tel: +86-755-8981 8866 Fax: +86-755-8427 6832

Email & Skype: info@chipsmall.com Web: www.chipsmall.com

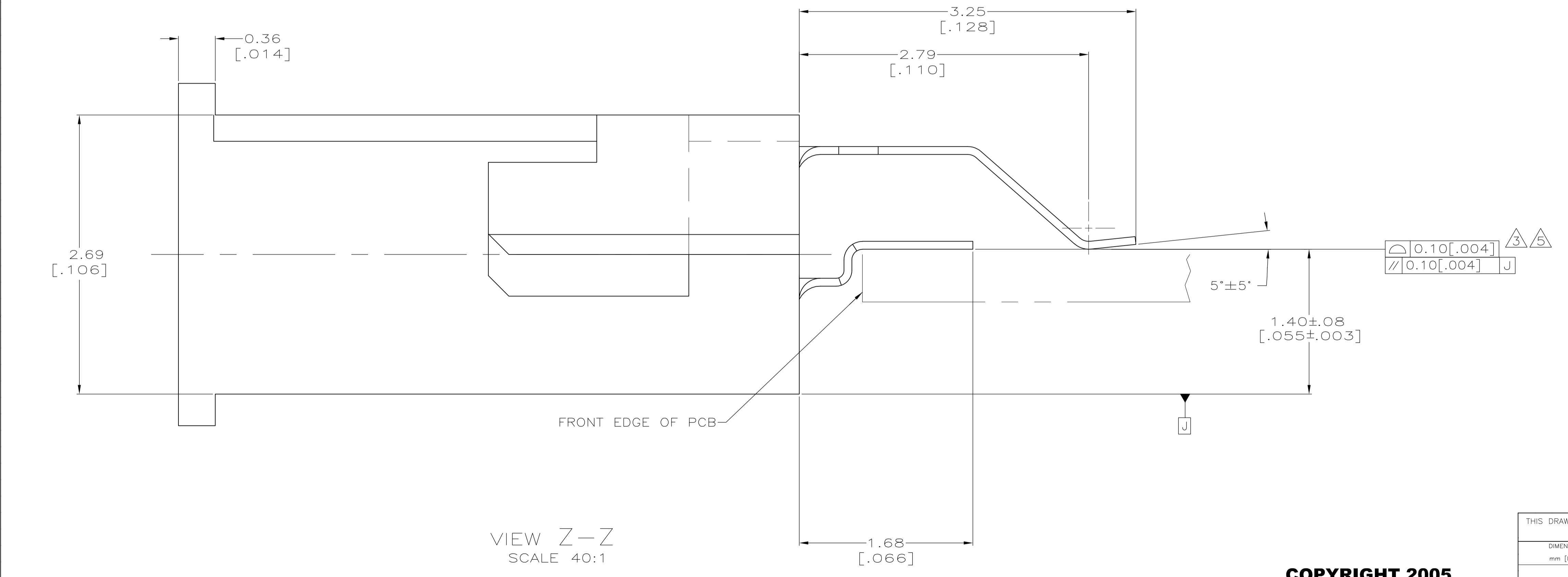
Address: A1208, Overseas Decoration Building, #122 Zhenhua RD., Futian, Shenzhen, China



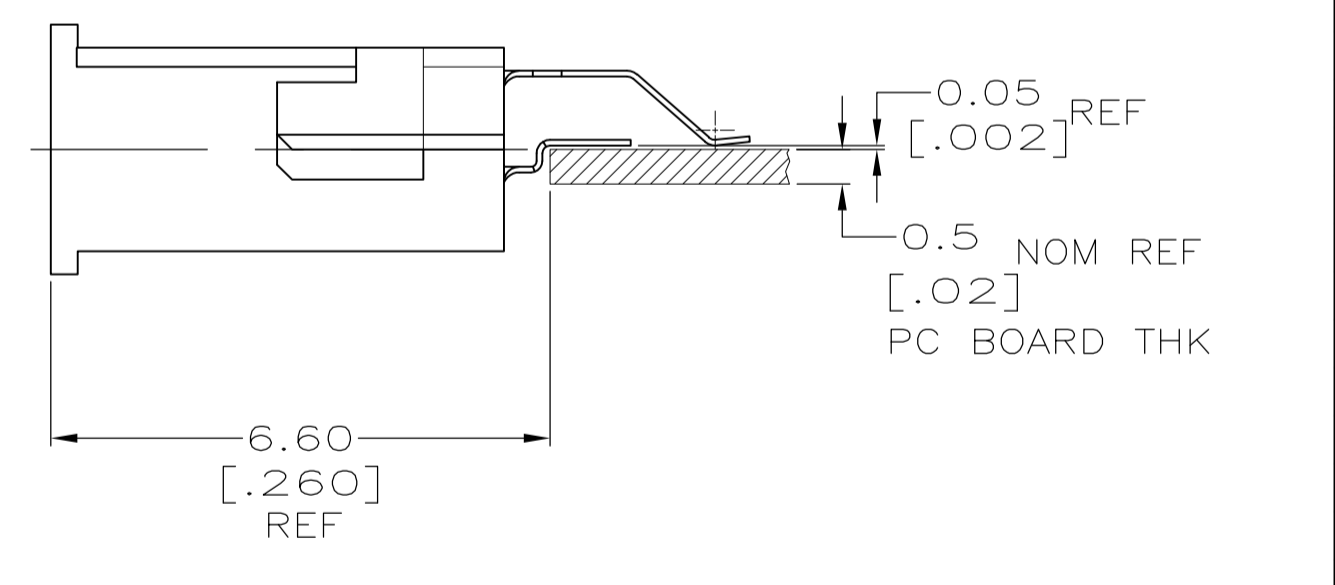
LOC		DIST		REVISIONS			
GP	00	P	LTR	DESCRIPTION	DATE	DMN	APVD
A1				REVISED PER ECO-13-020110	03JAN2014	CJV	EDB



RECOMMENDED PC BOARD LAYOUT



VIEW Z-Z  
SCALE 40:1



PC BOARD LOCATION  
SCALE 10:1

- ① HOUSING: LCP, GLASS FILLED, COLOR: BLACK.
- ② CONTACT: BERYLLIUM COPPER.
- ③ DIMENSION IN REFERENCE TO LOWEST POINT OF EACH LEAD.
- ④ POINT OF CONTACT 2.3[.091] REF FROM MATING FACE.
- ⑤ APPLIES TO ALL SOLDER TAILS.
- ⑥ PACKAGED IN 56mm WIDE TAPE AND REEL.
- ⑦ PACKAGED IN 72mm WIDE TAPE AND PLASTIC REEL.
- ⑧ CONTACTS: 0.00076[.000030] MINIMUM GOLD ON MATING AREA 0.00064[.000025] MINIMUM SEMI-BRIGHT NICKEL ON MATING AREA 0.00254[.000100] MINIMUM MATTE TIN ON SOLDER TAIL, ALL OVER 0.00127 [0.000050] MATTE NICKEL.

**COPYRIGHT 2005  
TYCO ELECTRONICS CORP  
ALL RIGHTS RESERVED**

THIS DRAWING IS A CONTROLLED DOCUMENT.		DIN A FERNANDEZ-DOCKS 02-21-05		5146228-4	
DIMENSIONS: mm [INCHES]		TOLERANCES UNLESS OTHERWISE SPECIFIED:		5146228-3	
0 PLC ± -		1 PLC ± -		PART NUMBER	
1 PLC ± -		2 PLC ± -		OBSOLETE	
2 PLC ± -		3 PLC ± 0.13[.005]		PACKAGING	
3 PLC ± -		4 PLC ± -		TE Connectivity	
4 PLC ± -		ANGLES ± 0° 30'		APVD M WALMSLEY 02-21-05	
MATERIAL		FINISH		NAME RECEPTACLE ASSEMBLY, SURFACE MOUNT, 68 POSITION, ZERO OFFSET, AMP MEMORY CARD	
① ②		⑧		APPLICATION SPEC	
③ ④		⑤ ⑥		SIZE CAGE CODE DRAWING NO RESTRICTED TO	
⑦		⑨		WEIGHT A1 00779 C=5146228	
⑩		⑪		CUSTOMER DRAWING SCALE 5:1 SHEET 1 OF 1 REV A1	