



Chipsmall Limited consists of a professional team with an average of over 10 year of expertise in the distribution of electronic components. Based in Hongkong, we have already established firm and mutual-benefit business relationships with customers from,Europe,America and south Asia,supplying obsolete and hard-to-find components to meet their specific needs.

With the principle of “Quality Parts,Customers Priority,Honest Operation,and Considerate Service”,our business mainly focus on the distribution of electronic components. Line cards we deal with include Microchip,ALPS,ROHM,Xilinx,Pulse,ON,Everlight and Freescale. Main products comprise IC,Modules,Potentiometer,IC Socket,Relay,Connector.Our parts cover such applications as commercial,industrial, and automotives areas.

We are looking forward to setting up business relationship with you and hope to provide you with the best service and solution. Let us make a better world for our industry!



Contact us

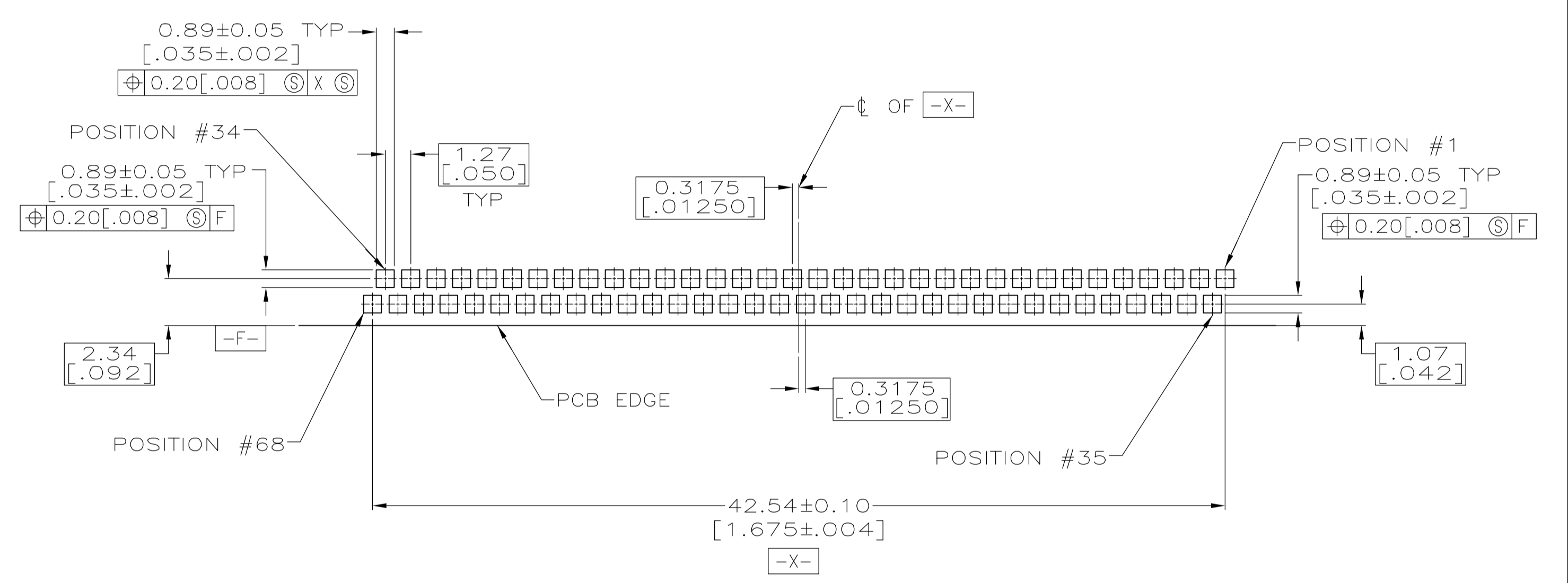
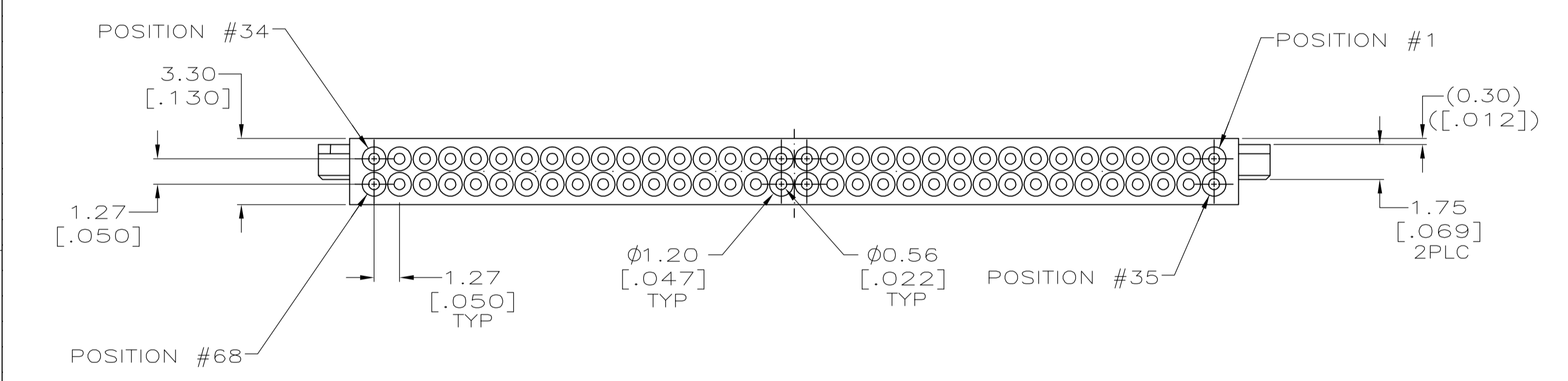
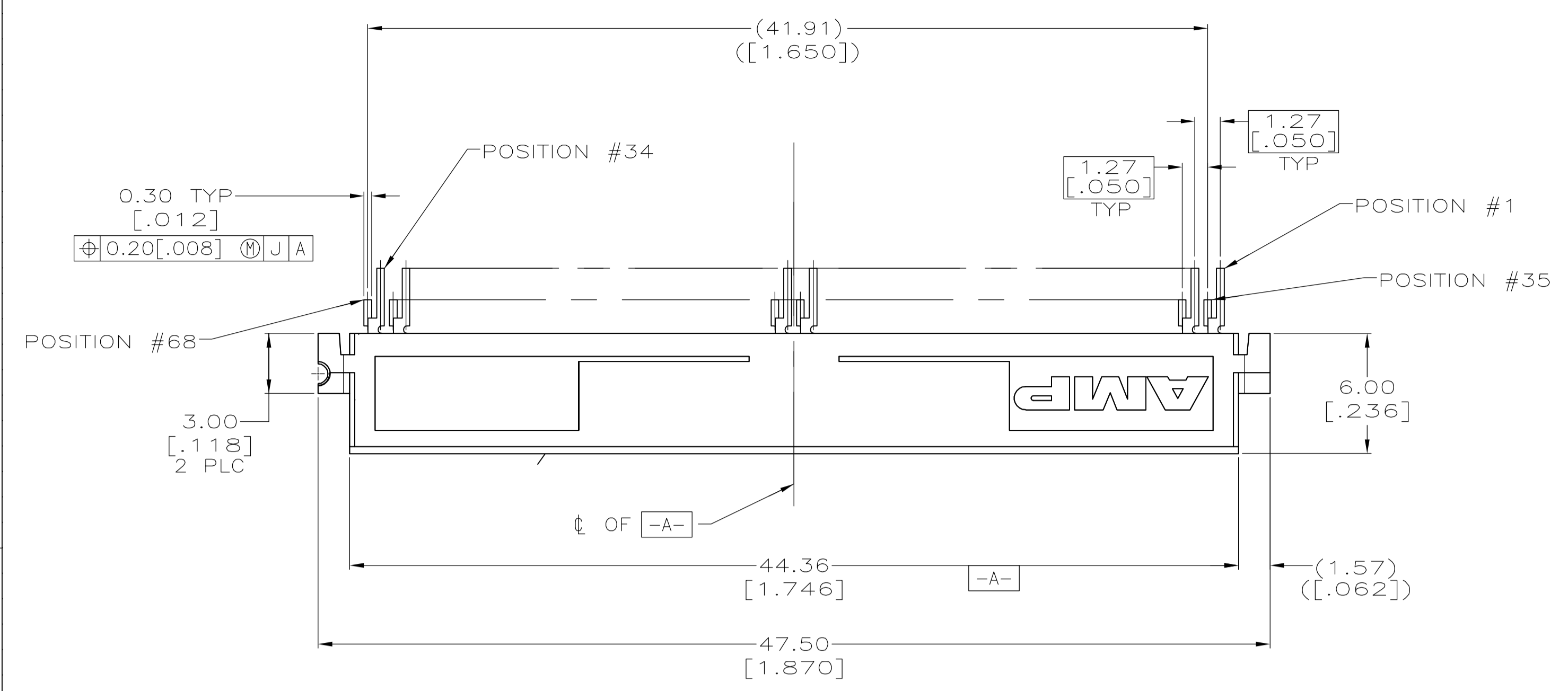
Tel: +86-755-8981 8866 Fax: +86-755-8427 6832

Email & Skype: info@chipsmall.com Web: www.chipsmall.com

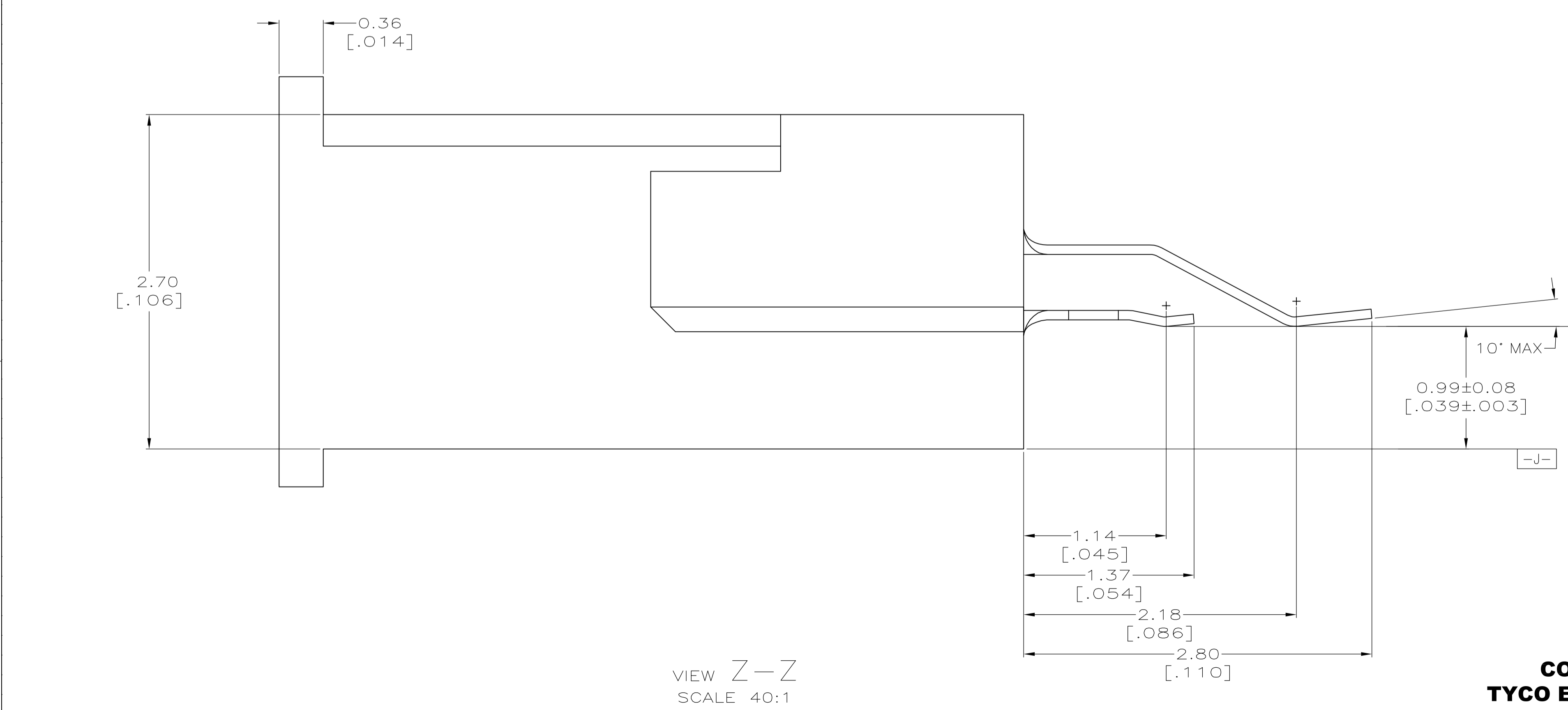
Address: A1208, Overseas Decoration Building, #122 Zhenhua RD., Futian, Shenzhen, China



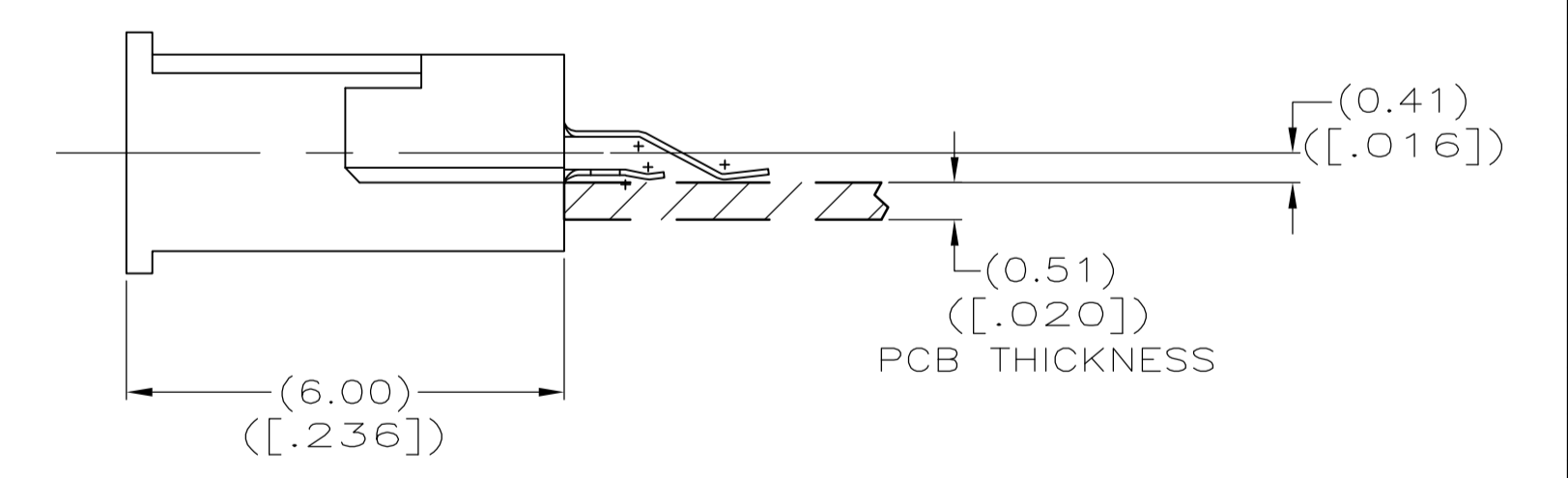
LOC		DIST		REVISIONS			
GP	00	REV	DATE	BY	APPV	DATE	BY
		0	02-18-05	GA	JG	02-18-05	GA



RECOMMENDED PC BOARD LAYOUT



VIEW Z-Z
SCALE 40:1



PC BOARD LOCATION (REF)
SCALE: 10:1

- 1 HOUSING: LCP, GLASS FILLED, COLOR: BLACK.
- 2 CONTACT: BERYLLIUM COPPER.
- 3 DIMENSION IN REFERENCE TO LOWEST POINT OF EACH LEAD.
- 4 POINT OF CONTACT 2.3[.091] REF FROM MATING FACE.
- 5 APPLIES TO ALL SOLDER TAILS.
- 6 PACKAGED IN 56mm WIDE TAPE AND REEL.
- 7 CONTACT: 0.00076[.000030] MINIMUM GOLD ON MATING AREA, 0.00064[.000025] MINIMUM SEMI-BRIGHT NICKEL ON MATING AREA, 0.00254[.000100] MINIMUM MATTE TIN ON SOLDER TAIL, ALL OVER 0.00127[.000050] MINIMUM MATTE NICKEL.

**COPYRIGHT 2005
 TYCO ELECTRONICS CORP
 ALL RIGHTS RESERVED**

THIS DRAWING IS A CONTROLLED DOCUMENT.		DWG G. ATTADIA - 02-18-05	Tyco Electronics Corporation	
DIMENSIONS: mm[INCHES]		CHK D. GORENC	Harrisburg, Pa 17105-3608	
TOLERANCES UNLESS OTHERWISE SPECIFIED:		APPV M. WALMSLEY	RCPT ASSEMBLY, SURFACE MOUNT, 68 POS. 0.41mm/.016in OFFSET, AMP MEMORY CARD	
0 PLC ± -	1 PLC ± -	PRODUCT SPEC	SIZE	CAGE CODE
2 PLC ± 0.13[.005]	3 PLC ± -	APPLICATION SPEC	A1	00779
4 PLC ± -	ANGLES ± ± 30°	WEIGHT	5146322	RESTRICTED TO
MATERIAL	FINISH	CUSTOMER DRAWING	SCALE 1:1	SHEET 1 of 1