



Chipsmall Limited consists of a professional team with an average of over 10 year of expertise in the distribution of electronic components. Based in Hongkong, we have already established firm and mutual-benefit business relationships with customers from,Europe,America and south Asia,supplying obsolete and hard-to-find components to meet their specific needs.

With the principle of “Quality Parts,Customers Priority,Honest Operation,and Considerate Service”,our business mainly focus on the distribution of electronic components. Line cards we deal with include Microchip,ALPS,ROHM,Xilinx,Pulse,ON,Everlight and Freescale. Main products comprise IC,Modules,Potentiometer,IC Socket,Relay,Connector.Our parts cover such applications as commercial,industrial, and automotives areas.

We are looking forward to setting up business relationship with you and hope to provide you with the best service and solution. Let us make a better world for our industry!



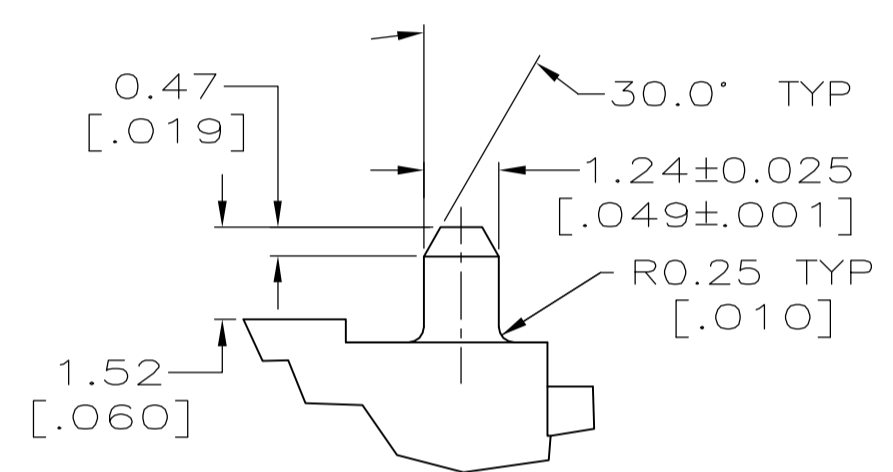
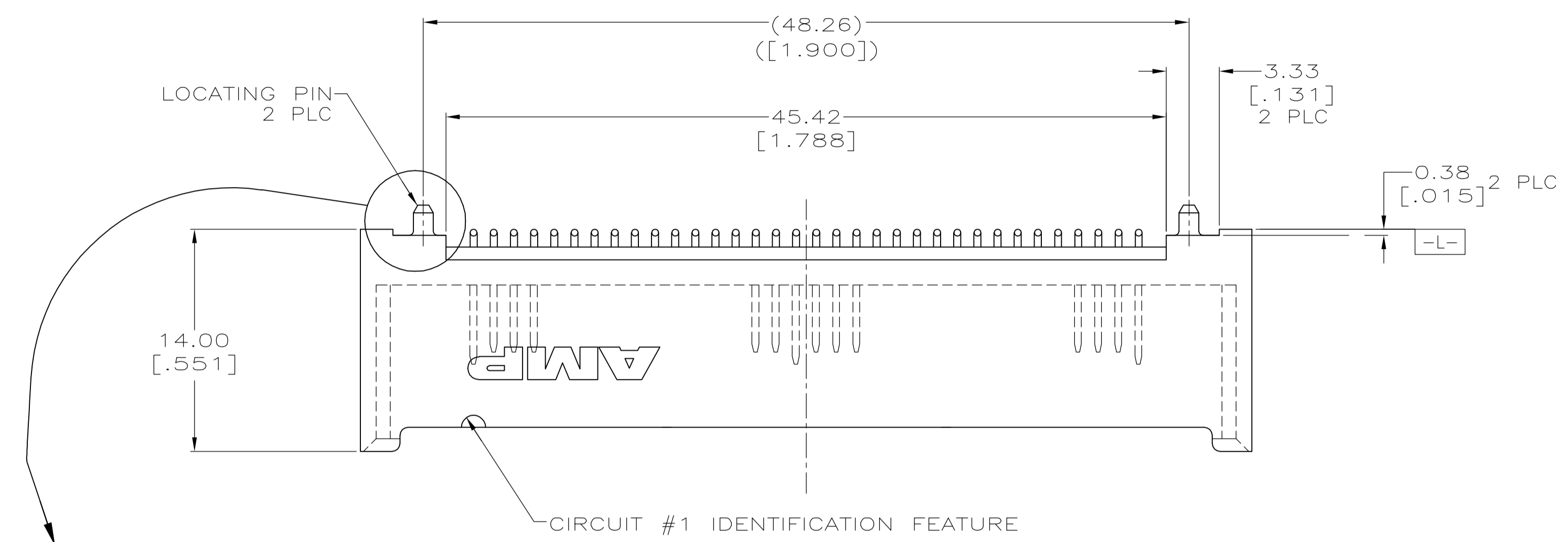
Contact us

Tel: +86-755-8981 8866 Fax: +86-755-8427 6832

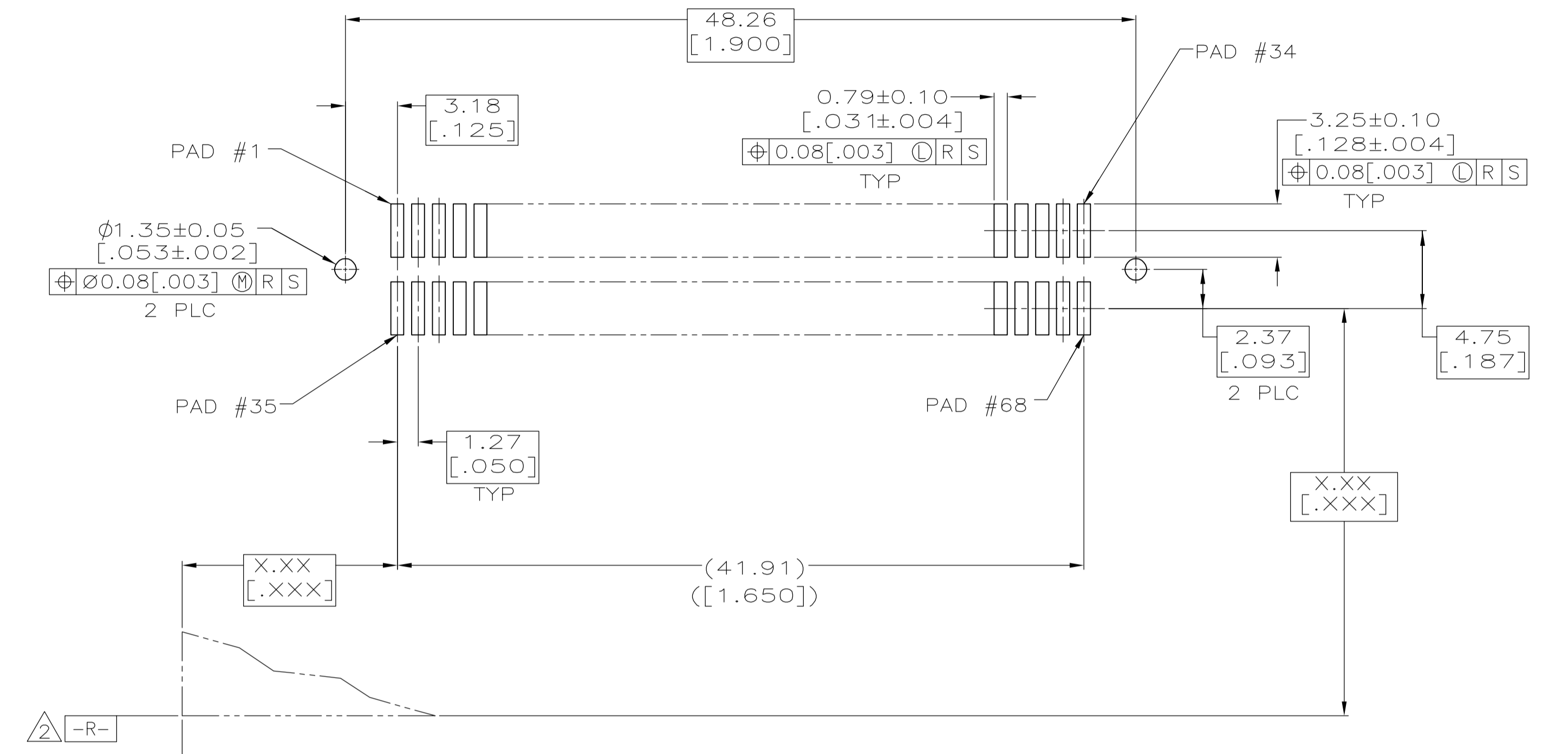
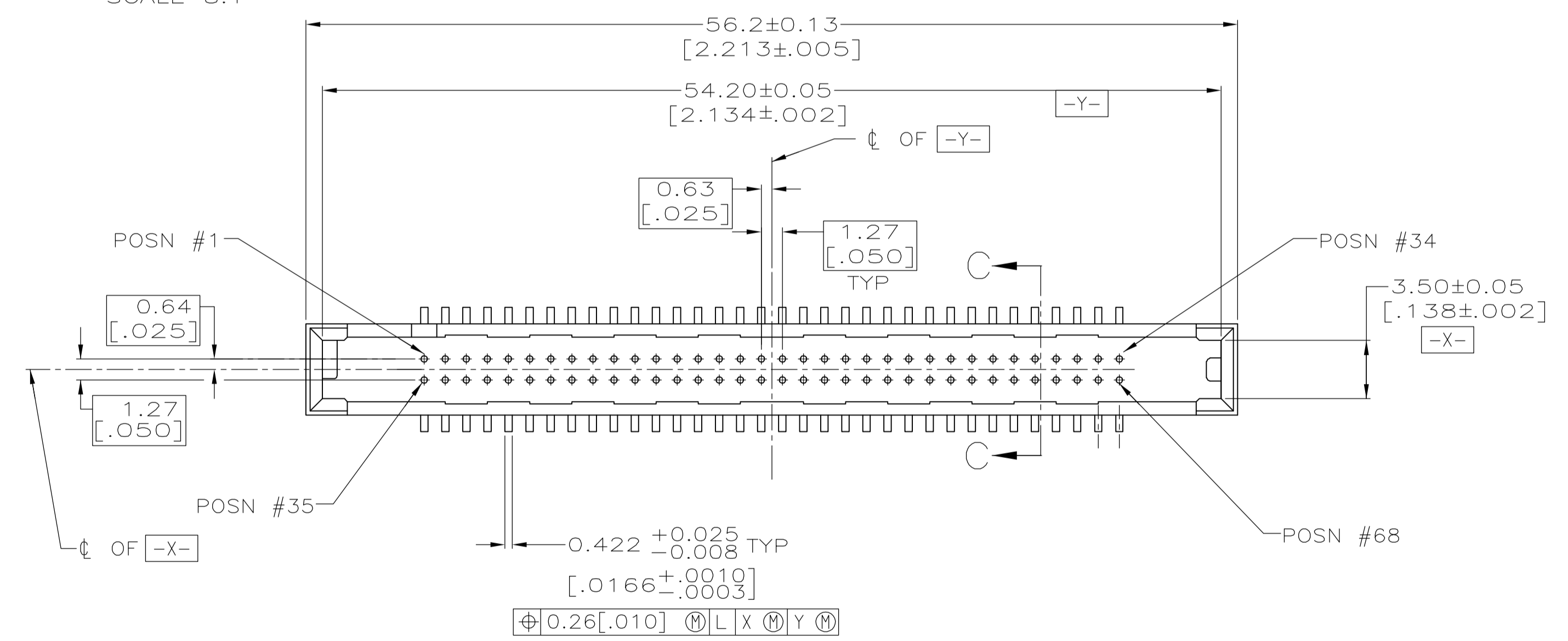
Email & Skype: info@chipsmall.com Web: www.chipsmall.com

Address: A1208, Overseas Decoration Building, #122 Zhenhua RD., Futian, Shenzhen, China

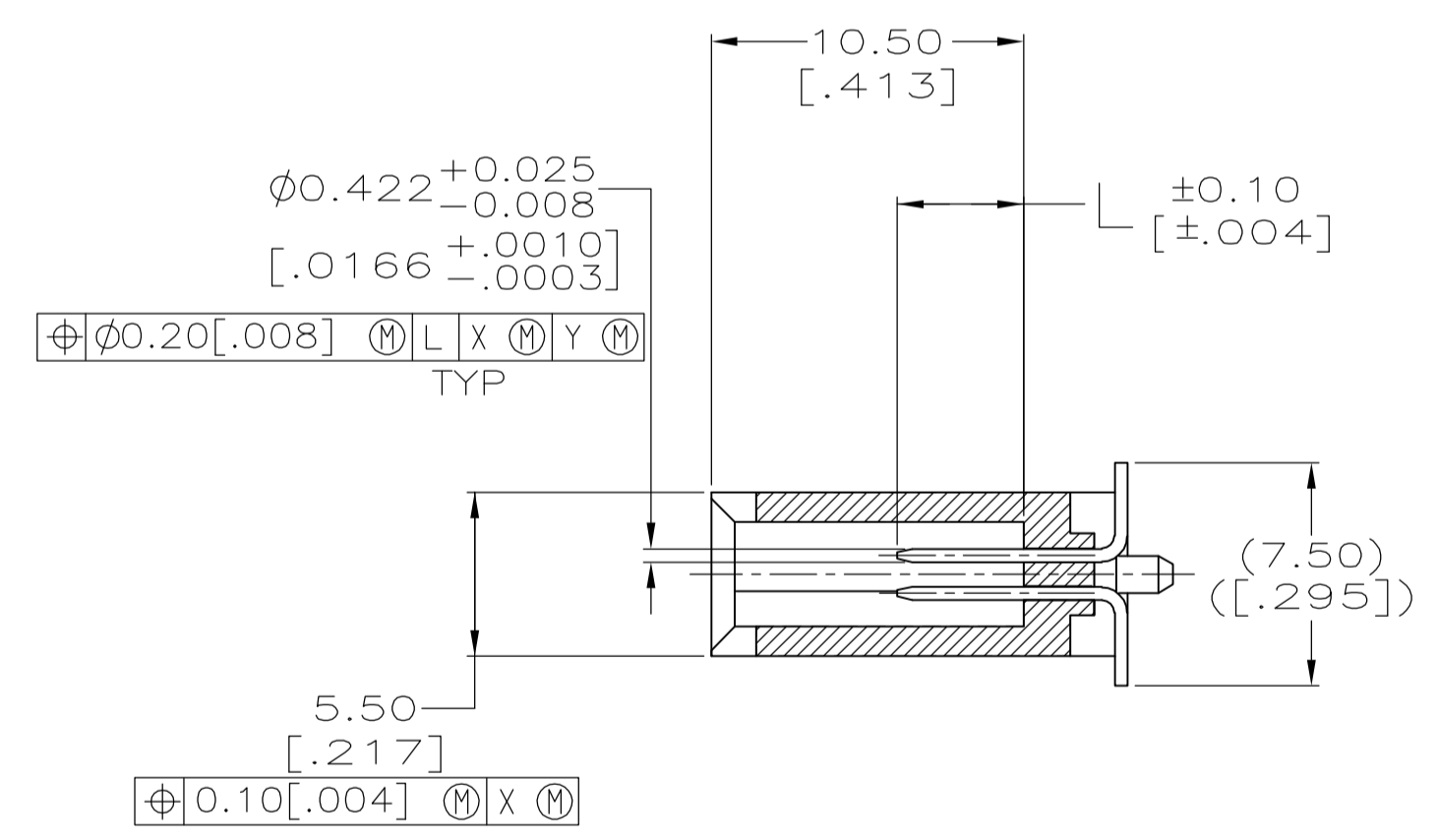




SCALE 8:1



RECOMMENDED BOARD LAYOUT



- 1 CONTACTS: 0.00076[.000030] MINIMUM GOLD IN CONTACT AREA, 0.00381[.000150] MIN TIN ON SOLDER TAILS, ALL OVER 0.00127[.000050] MINIMUM NICKEL
- 2 DATUMS AND BASIC DIMENSIONS ESTABLISHED BY CUSTOMER
- 3. PRODUCT PACKAGED IN TUBES.
- 4 MATERIAL:
HOUSING: LCP, COLOR BLACK
CONTACTS: BRASS

AS SHOWN	1,17,34 35,51,68	ALL OTHER PINS	36,67	5146733-1
DESCRIPTION	5.0[.197]	4.25[.167]	3.5[.138]	PART NUMBER
" L " PIN LENGTH AND LOCATION				

**COPYRIGHT 2005
 TYCO ELECTRONICS CORP
 ALL RIGHTS RESERVED**

THIS DRAWING IS A CONTROLLED DOCUMENT.		DWG NO A. FERNANDEZ-DUCKS 03-29-05	NAME Tyco Electronics Corporation Harrisburg, PA 17105-3608
DIMENSIONS: mm[inches]	TOLERANCES UNLESS OTHERWISE SPECIFIED:	CHK D.L. GORENC 03-29-05	APPROV M. WALMSLEY 03-29-05
0 PLC ± -	1 PLC ± -	PRODUCT SPEC	NAME PIN HEADER ASSEMBLY, VERTICAL, 68 POSITION, SURFACE MOUNT, AMP PC CARD
2 PLC ± -	3 PLC ± 0.13[.005]	APPLICATION SPEC	SIZE A1
4 PLC ± -	ANGLES ± -	WEIGHT	CAGE CODE 00779
MATERIAL	FINISH	DRAWING NO 5146733	RESTRICTED TO
4	1	CUSTOMER DRAWING	SCALE 4:1 SHEET 1 OF 1 REV 0