



Chipsmall Limited consists of a professional team with an average of over 10 year of expertise in the distribution of electronic components. Based in Hongkong, we have already established firm and mutual-benefit business relationships with customers from,Europe,America and south Asia,supplying obsolete and hard-to-find components to meet their specific needs.

With the principle of "Quality Parts,Customers Priority,Honest Operation,and Considerate Service",our business mainly focus on the distribution of electronic components. Line cards we deal with include Microchip,ALPS,ROHM,Xilinx,Pulse,ON,Everlight and Freescale. Main products comprise IC,Modules,Potentiometer,IC Socket,Relay,Connector.Our parts cover such applications as commercial,industrial, and automotives areas.

We are looking forward to setting up business relationship with you and hope to provide you with the best service and solution. Let us make a better world for our industry!



Contact us

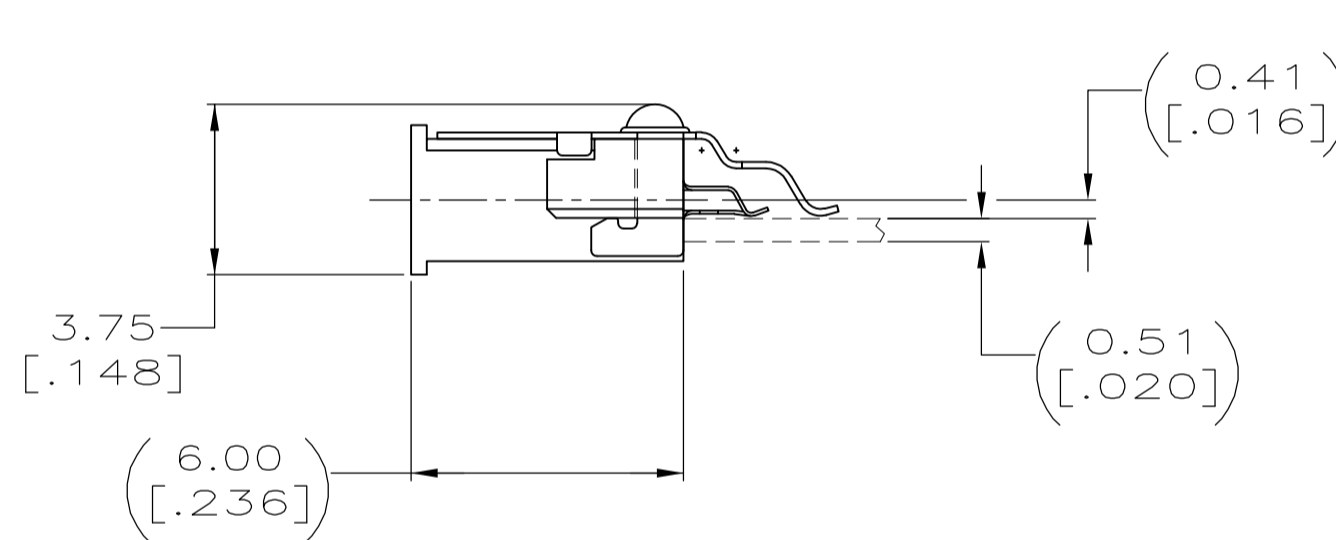
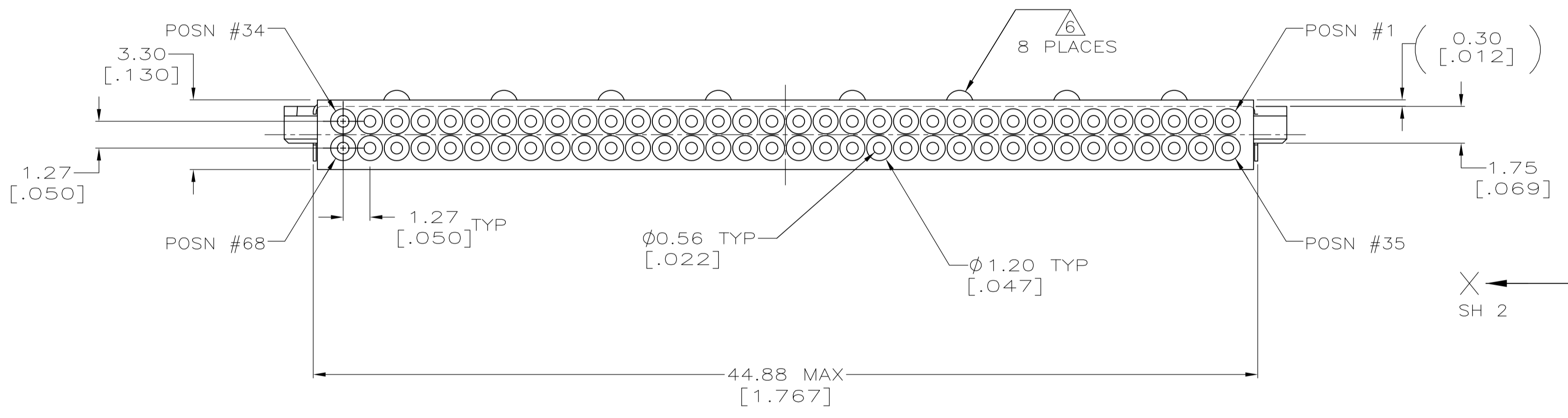
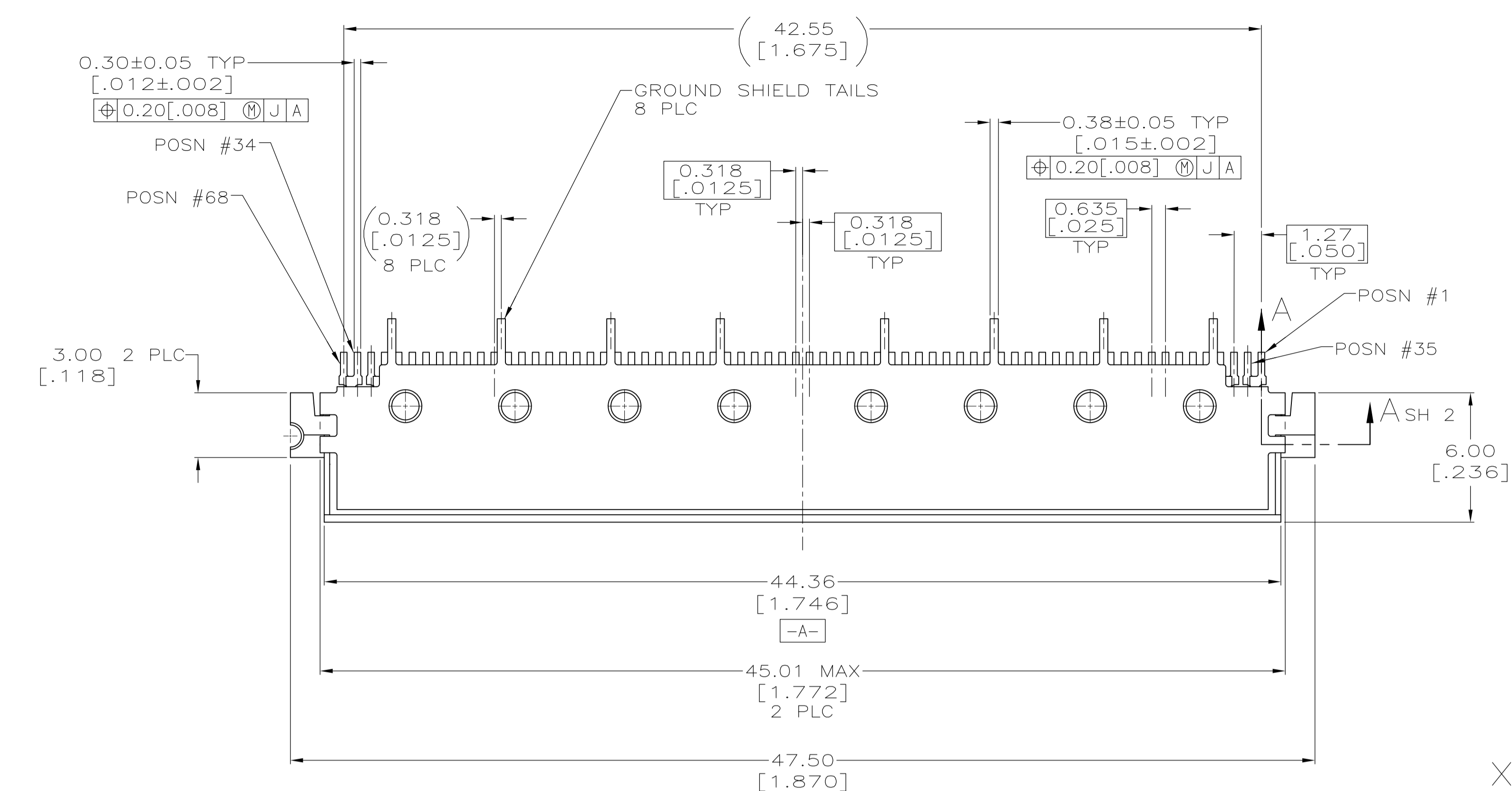
Tel: +86-755-8981 8866 Fax: +86-755-8427 6832

Email & Skype: info@chipsmall.com Web: www.chipsmall.com

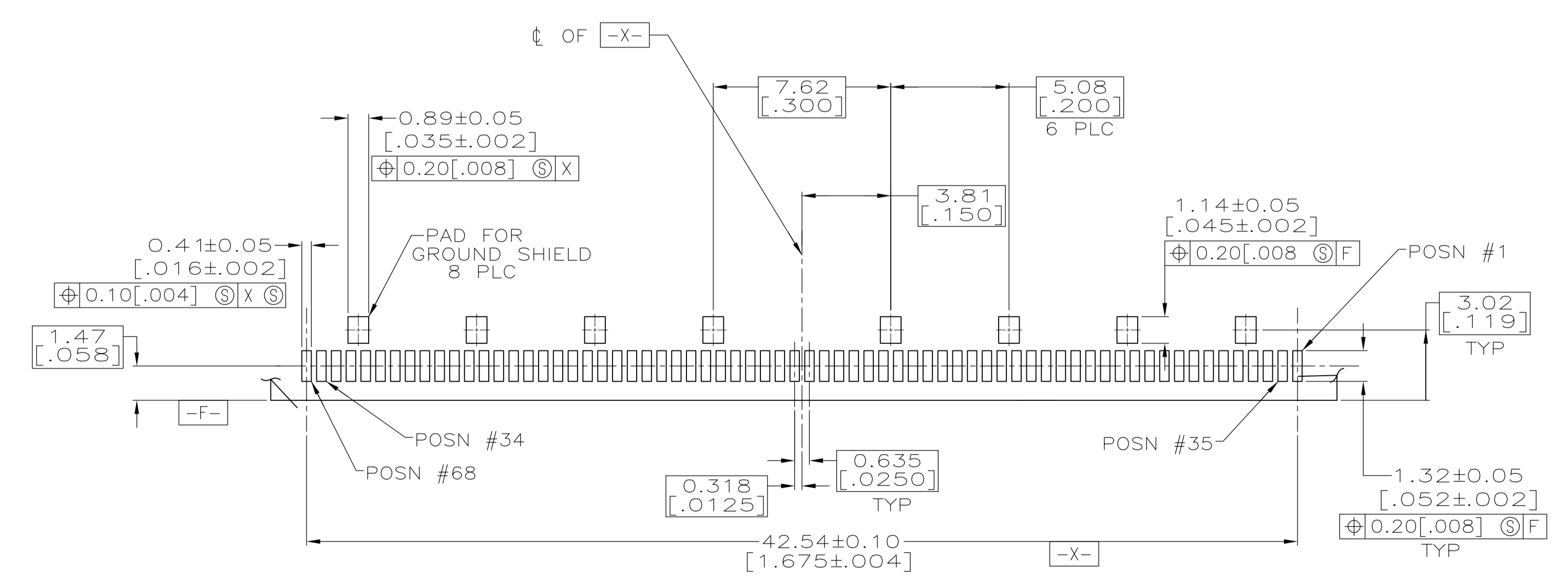
Address: A1208, Overseas Decoration Building, #122 Zhenhua RD., Futian, Shenzhen, China



LOC		DIST		REVISIONS			
F	LTR	DESCRIPTION	DATE	DMN	APVD		
A		REV PER ECO-09-006436	15APR09	CR	EB		



- ① HOUSING: LCP, GLASS FILLED, COLOR: BLACK.
- ② CONTACTS: BERYLLIUM COPPER; SHIELD: BRASS.
- ③ DIMENSION IN REFERENCE TO LOWEST POINT OF EACH LEAD.
- 4. POINT OF CONTACT 2.3[.091] REF FROM MATING FACE.
- ⑤ APPLIES TO 68 SIGNAL TAILS ONLY.
- ⑥ LOCALIZED PLATING AREA "A".
- ⑦ LOCALIZED PLATING AREA "B".
- ⑧ PACKAGED IN TUBES.
- ⑨ PACKAGED IN 56mm WIDE TAPE AND PLASTIC REEL.
- ⑩ PACKAGED IN 72mm WIDE TAPE AND PLASTIC REEL.
- ⑪ CONTACTS: 0.00076[.000030] MINIMUM GOLD ON MATING AREA, 0.00064[.000025] MINIMUM SEMI-BRIGHT NICKEL ON MATING AREA, 0.00254[.000100] MINIMUM MATTE TIN ON SOLDER TAIL, ALL OVER 0.00127 [0.000050] MINIMUM MATTE NICKEL.
- ⑫ SHIELD: 0.00076[.000030] MINIMUM GOLD IN LOCALIZED PLATING AREA "A", 0.00013[.000005] MINIMUM GOLD IN LOCALIZED PLATING AREA "B", ALL OVER 0.00127 [0.000050] MINIMUM MATTE NICKEL.



SUGGESTED PC BOARD LAYOUT

**COPYRIGHT 2005
 TYCO ELECTRONICS CORP
 ALL RIGHTS RESERVED**

SUPERSEDED BY 5146777-5	⑩	5146777-5
	⑨	5146777-4
	PACKAGING	PART NUMBER

THIS DRAWING IS A CONTROLLED DOCUMENT.		DIN G. ATTADIA - 02-21-05		Tyco Electronics Corporation	
DIMENSIONS: mm[inches]		CHK D. GORENC 02-21-05		Tyco Electronics Corporation	
TOLERANCES UNLESS OTHERWISE SPECIFIED:		APVD M. WALMSLEY 02-21-05		Harrisburg, PA 17105-3608	
0 PLC ± -	1 PLC ± -	NAME RECEPTACLE ASSEMBLY, SMT, 68 POSN, 6mm/.236 IN, 0.41mm/.016 INCH OFFSET, AMP PC CARDBUS		RESTRICTED TO	
2 PLC ± ± 0.13[.005]	3 PLC ± -	APPLICATION SPEC		SIZE CAGE CODE DRAWING NO	
4 PLC ± -	ANGLES ± °	WEIGHT		A1 00779 C=5146777	
MATERIAL	FINISH	CUSTOMER DRAWING		SCALE 6:1 SHEET 1 OF 2 REV A	

