



Chipsmall Limited consists of a professional team with an average of over 10 year of expertise in the distribution of electronic components. Based in Hongkong, we have already established firm and mutual-benefit business relationships with customers from,Europe,America and south Asia,supplying obsolete and hard-to-find components to meet their specific needs.

With the principle of “Quality Parts,Customers Priority,Honest Operation,and Considerate Service”,our business mainly focus on the distribution of electronic components. Line cards we deal with include Microchip,ALPS,ROHM,Xilinx,Pulse,ON,Everlight and Freescale. Main products comprise IC,Modules,Potentiometer,IC Socket,Relay,Connector.Our parts cover such applications as commercial,industrial, and automotives areas.

We are looking forward to setting up business relationship with you and hope to provide you with the best service and solution. Let us make a better world for our industry!



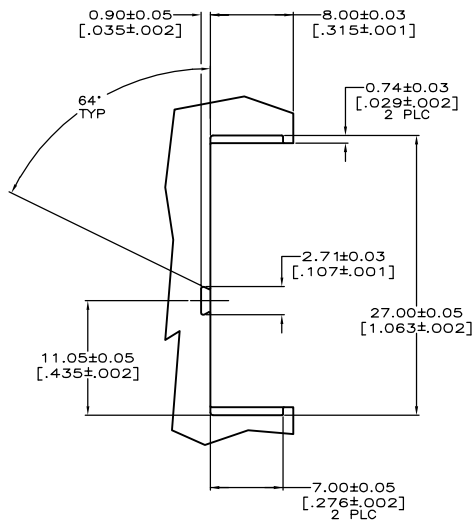
## Contact us

Tel: +86-755-8981 8866 Fax: +86-755-8427 6832

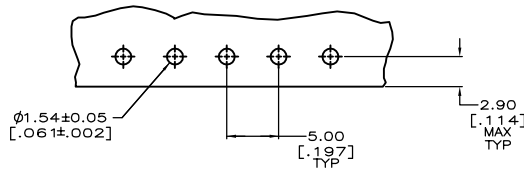
Email & Skype: info@chipsmall.com Web: www.chipsmall.com

Address: A1208, Overseas Decoration Building, #122 Zhenhua RD., Futian, Shenzhen, China

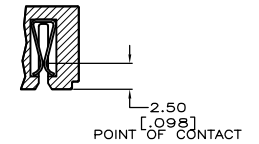
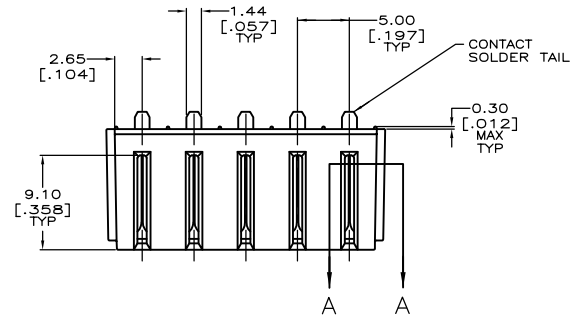
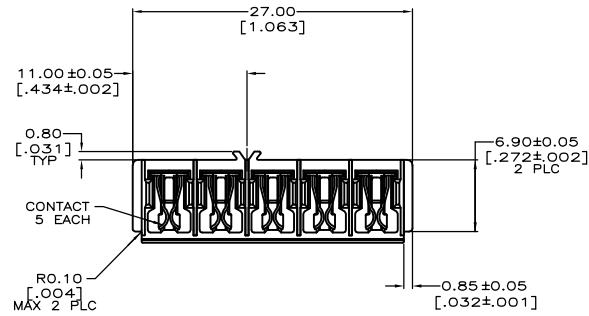
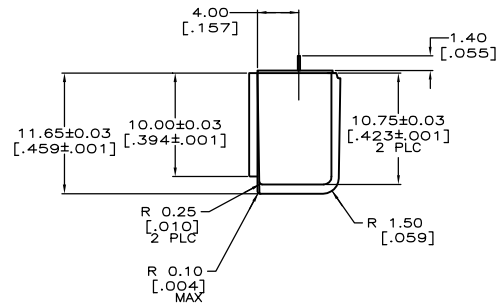




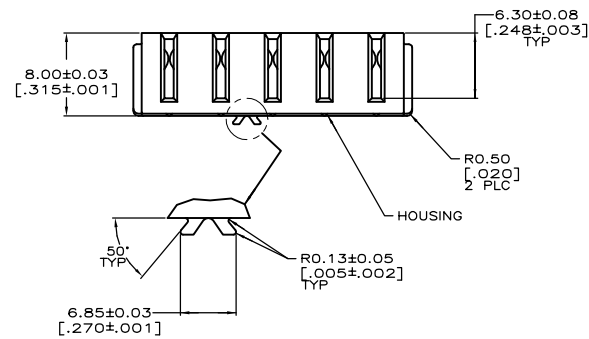
SUGGESTED CAVITY



RECOMMENDED PC BOARD LAYOUT



SECTION A-A



- ▲ HOUSING: POLYPHTHALAMIDE, BLACK.  
CONTACTS: PHOSPHOR BRONZE.
- ▲ CONTACT: 1.30µm[.000051] MIN TIN ON SOLDER TAIL  
OVER 1.90µm[.000075] MIN NICKEL ON ENTIRE CONTACT.

5146800-1  
PART NUMBER

THIS DRAWING IS A CONTROLLED DOCUMENT.		DATE: 21 OCT 84	Tyco Electronics Corporation Shanghai PRC	
DESIGNER: C. BAKER	DATE: 04 NOV 84	DATE: 08 NOV 84	NAME: INSERT ASSEMBLY, 5 POSITION, KEYLESS, DOVETAIL LOCATOR, 5mm Ø, 7.2 VOLT, BATTERY INTERCONNECT	
DIMENSIONS: mm	CONVERSION: 1 INCH = 25.4 mm	PRODUCT SPEC: 108-1501	SIZE: CASE CODE: DRAWING NO: A1 00779	
MATERIAL: PHOSPHOR BRONZE	FINISH: POLISHED	APPLICATION SPEC: 108-1501	RESTRICTED TO: 5146800	
CUSTOMER DRAWING		SCALE: 4:1	SHEET 1 OF 1	