



Chipsmall Limited consists of a professional team with an average of over 10 year of expertise in the distribution of electronic components. Based in Hongkong, we have already established firm and mutual-benefit business relationships with customers from,Europe,America and south Asia,supplying obsolete and hard-to-find components to meet their specific needs.

With the principle of “Quality Parts,Customers Priority,Honest Operation,and Considerate Service”,our business mainly focus on the distribution of electronic components. Line cards we deal with include Microchip,ALPS,ROHM,Xilinx,Pulse,ON,Everlight and Freescale. Main products comprise IC,Modules,Potentiometer,IC Socket,Relay,Connector.Our parts cover such applications as commercial,industrial, and automotives areas.

We are looking forward to setting up business relationship with you and hope to provide you with the best service and solution. Let us make a better world for our industry!



## Contact us

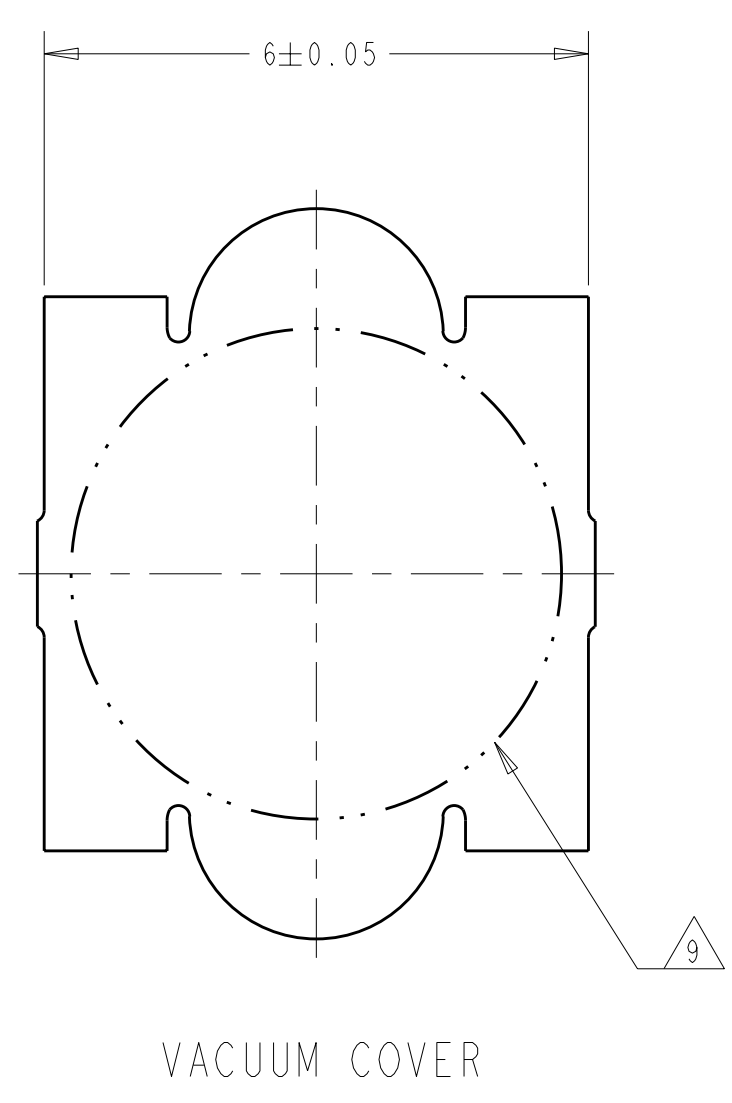
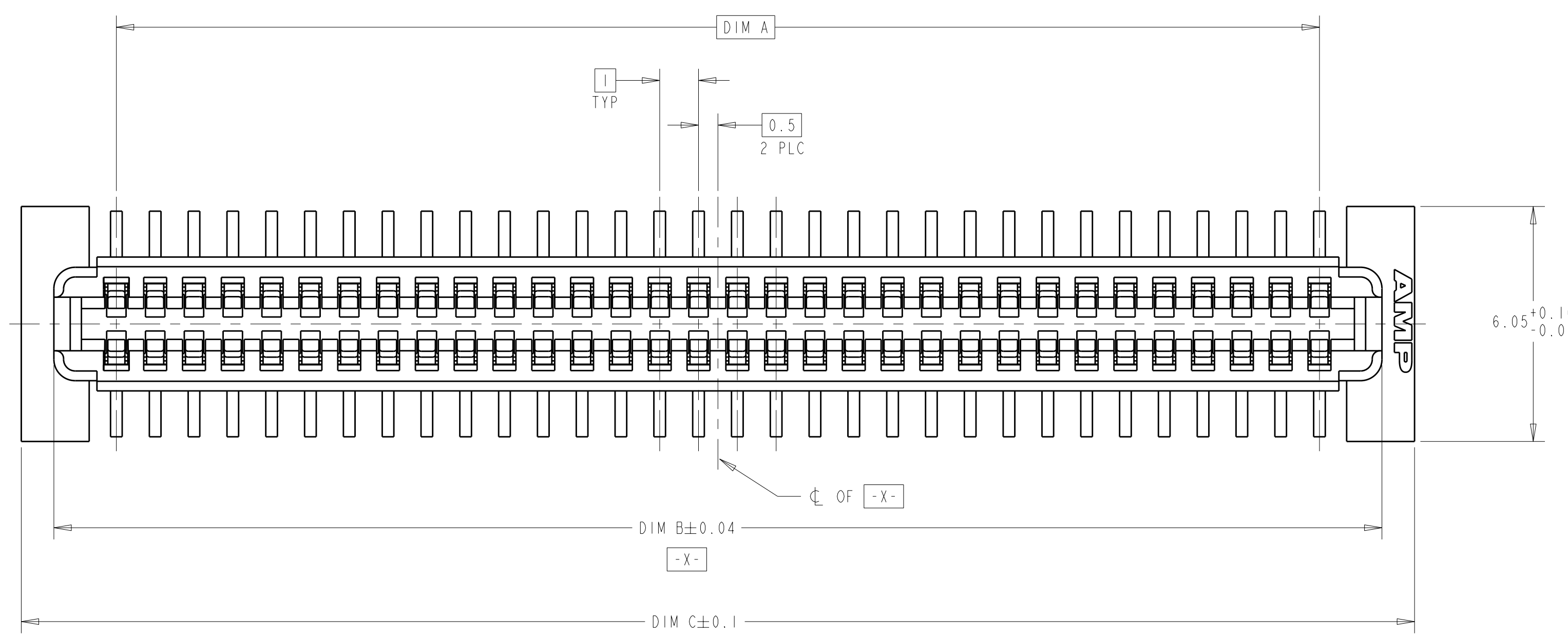
Tel: +86-755-8981 8866 Fax: +86-755-8427 6832

Email & Skype: info@chipsmall.com Web: www.chipsmall.com

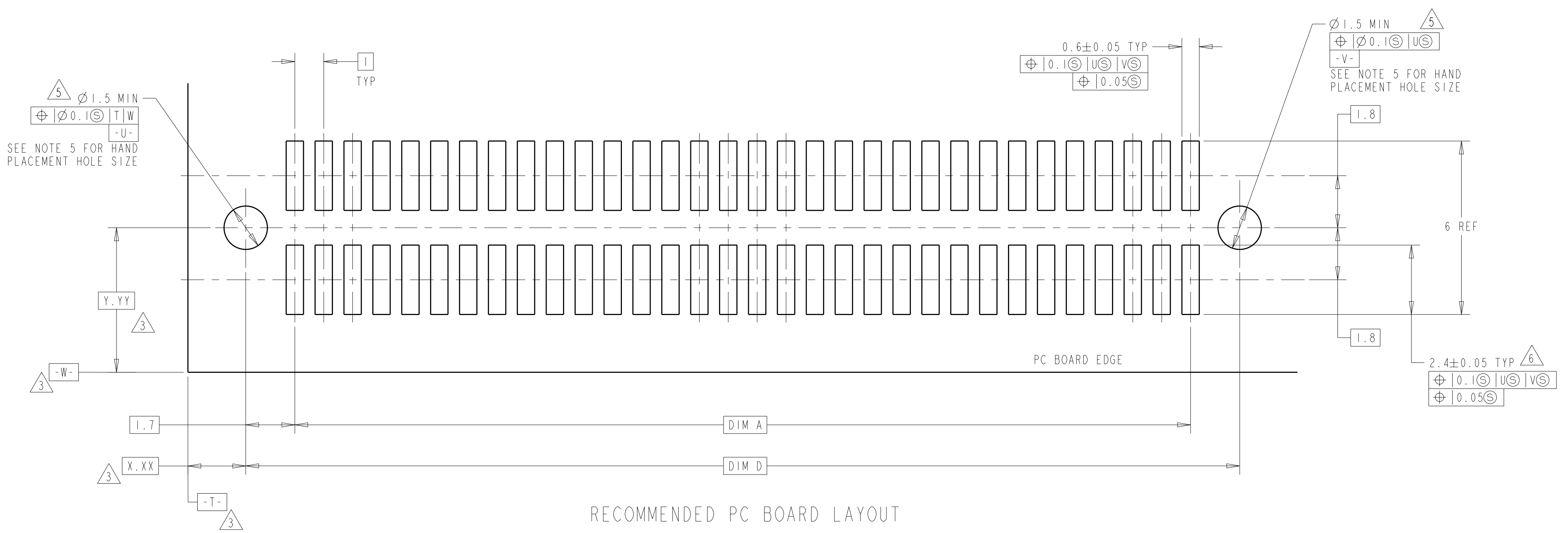
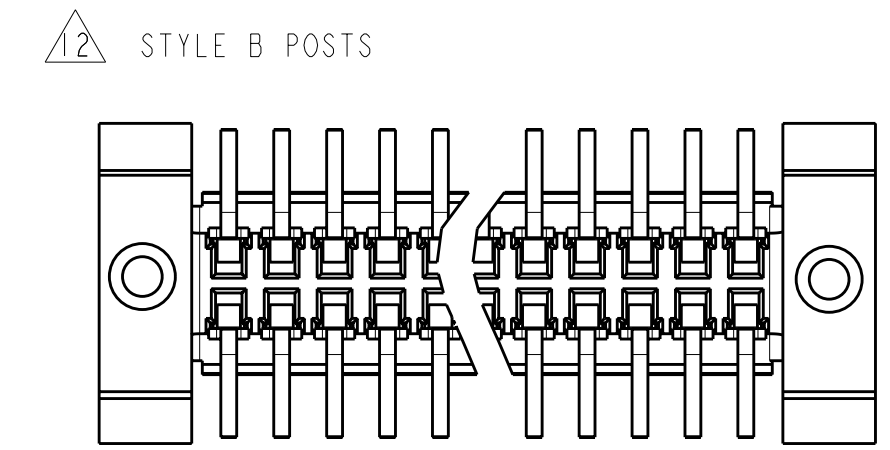
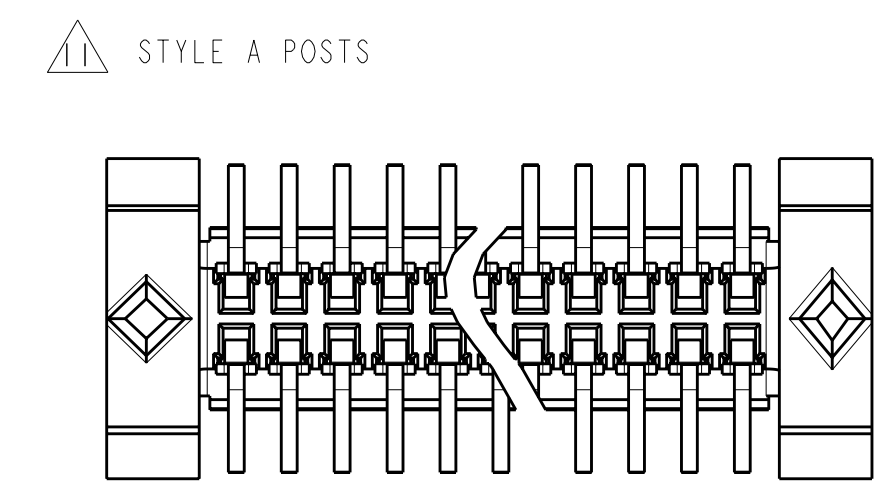
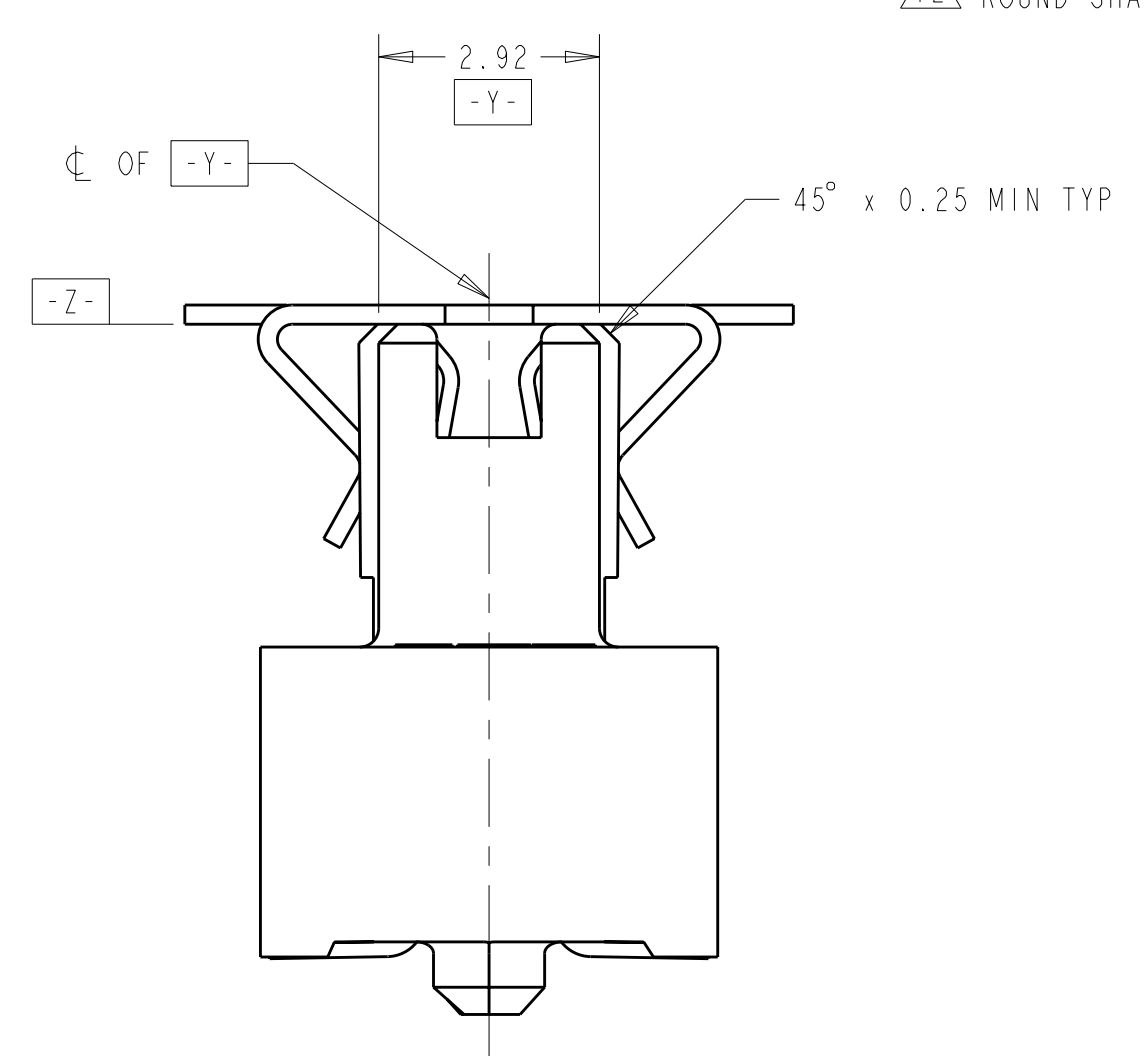
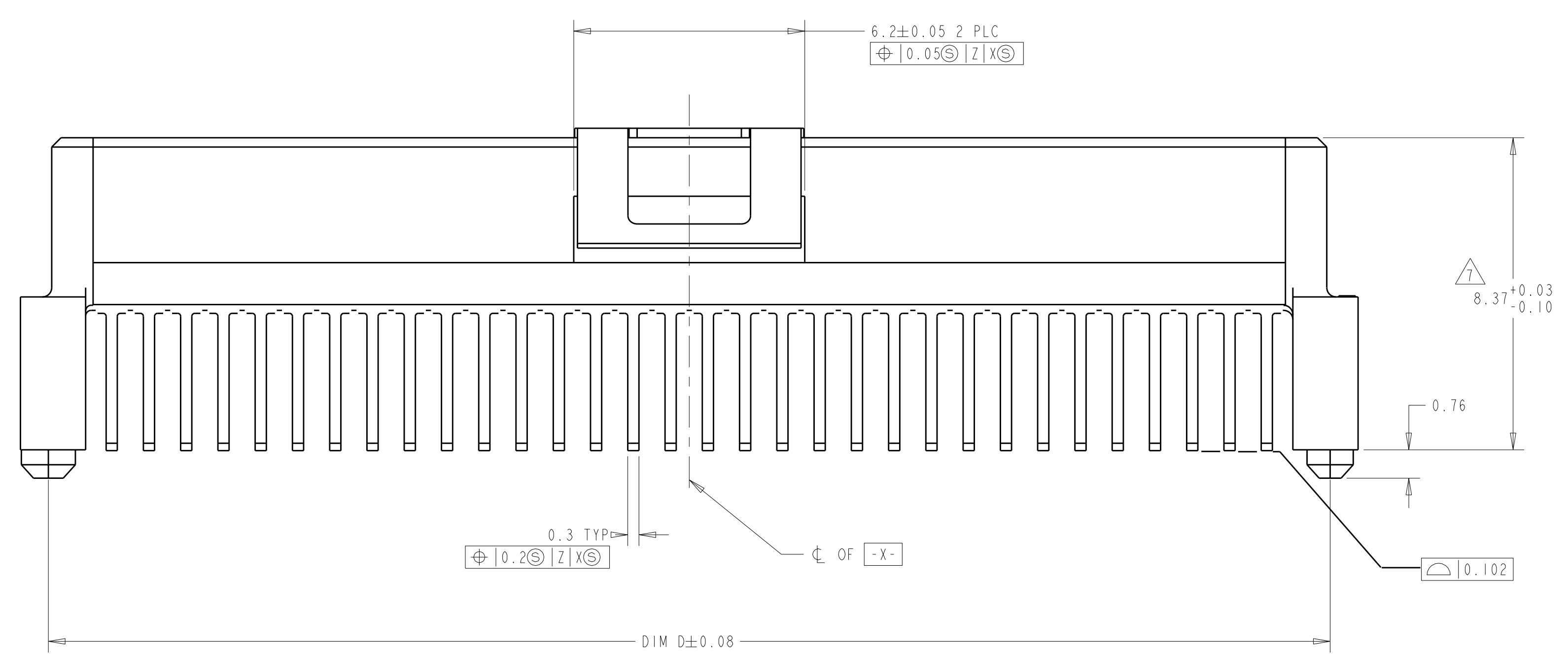
Address: A1208, Overseas Decoration Building, #122 Zhenhua RD., Futian, Shenzhen, China



LOC	DIST	REV	DATE	BY	APP'D
AD	00	0	01OCT2004	BC	RW
		A	22JAN2007	BC	DB
		B	10JUL2008	DH	DB
		B1	25AUG2009	AEG	DD



- 1 HOUSING MATERIAL: HIGH TEMPERATURE THERMOPLASTIC, COLOR: BLACK.1  
CONTACT MATERIAL: PHOSPHOR BRONZE.
  - 2 CONTACT FINISH: NICKEL UNDERPLATE ALL OVER, MATING SURFACES PLATED TO MEET PLI PERFORMANCE REQUIREMENTS OF INDUSTRY SPECIFICATION EIA-700AAAB, SOLDER TAILS PLATED TIN.
  - 3 DATUM LOCATIONS AND BASIC DIMENSIONS TO BE ESTABLISHED BY THE CUSTOMER. CONSULT AMP ENGINEERING WHEN PLACING MULTIPLE CONNECTORS ON A PC BOARD.
  - 4 PACKAGED IN TAPE ON REEL PER EIA-481.
  - 5 1.4±0.05 DIAMETER HOLE WHEN PLACING BY HAND.
  - 6 SHORTER SOLDER LANDS MAY BE USED PER EIA 700AAAB, HOWEVER 2.4 LENGTH ASSURES OPTIMUM SOLDER FILLET REGARDLESS OF MANUFACTURER OF CONNECTOR.
  - 7 REFERRED TO AS DIM H = 8.3±0.1 IN EIA 700AAAB SPECIFICATION.
  - 8 VACUUM COVER NOT SHOWN IN SOME VIEWS FOR CLARITY.
  - 9 5.5 MIN DIAMETER TARGET AREA FOR VACUUM PICK-UP.
  - 10 CONTACT FINISH: 0.00381 MINIMUM MATTE TIN PER ASTM B 545 ON SOLDER AREA. 0.00127 MINIMUM GOLD PER ASTM B 488 ON MATING AREA. BOTH OVER 0.00127 MINIMUM NICKEL PER SAE-AMS-00-N-290 ON ENTIRE CONTACT.
- ▲1 SQUARE AND DIAMOND SHAPED POSTS  
 ▲2 ROUND SHAPED POSTS



POST STYLE	FINISH	DIM D	DIM C	DIM B	DIM A	STACK HEIGHTS	POS	PART NUMBER
▲10	▲10	44.4	45.9	44.22	41	13	84	3-5146895-2
▲12	▲10	34.4	35.9	34.22	31	13	64	3-5146895-1
▲12	▲2	44.4	45.9	44.22	41	13	84	2-5146895-2
▲12	▲2	34.4	35.9	34.22	31	13	64	2-5146895-1
▲11	▲10	44.4	45.9	44.22	41	13	84	1-5146895-2
▲11	▲10	34.4	35.9	34.22	31	13	64	1-5146895-1
▲11	▲2	44.4	45.9	44.22	41	13	84	5146895-2
▲11	▲2	34.4	35.9	34.22	31	13	64	5146895-1

THIS DRAWING IS UNPUBLISHED. RELEASED FOR PUBLICATION BY TYCO ELECTRONICS CORPORATION, ALL RIGHTS RESERVED.

DIMENSIONS:	TOLERANCES UNLESS OTHERWISE SPECIFIED:	DWG: B. CARBO	DATE: 01OCT04
mm	9 PLC ±	CHK: R. WERTZ	DATE: 01OCT04
	1 PLC ±0.03	APP'D: R. WERTZ	DATE: 01OCT04
	5 PLC ±0.003	PRODUCT SPEC	NAME: RECEPTACLE ASSY, W/ VACUUM COVER, 1.0mm FH(IEEE 1386) CONNECTOR
	4 PLC ±	APPLICATION SPEC	SIZE: CAGE CODE DRAWING NO. RESTRICTED TO
	ANGLES ±	114-25045	A1 00779 C=5146895
MATERIAL:	FINISH: ±0°30'	WEIGHT:	CUSTOMER DRAWING
	SEE TABLE	SCALE: 10:1	SHEET 1 OF 1 REV: B1

Tyco Electronics Corporation  
 Harrisburg, PA 17105-3608