



Chipsmall Limited consists of a professional team with an average of over 10 year of expertise in the distribution of electronic components. Based in Hongkong, we have already established firm and mutual-benefit business relationships with customers from,Europe,America and south Asia,supplying obsolete and hard-to-find components to meet their specific needs.

With the principle of "Quality Parts,Customers Priority,Honest Operation,and Considerate Service",our business mainly focus on the distribution of electronic components. Line cards we deal with include Microchip,ALPS,ROHM,Xilinx,Pulse,ON,Everlight and Freescale. Main products comprise IC,Modules,Potentiometer,IC Socket,Relay,Connector.Our parts cover such applications as commercial,industrial, and automotives areas.

We are looking forward to setting up business relationship with you and hope to provide you with the best service and solution. Let us make a better world for our industry!



## Contact us

Tel: +86-755-8981 8866 Fax: +86-755-8427 6832

Email & Skype: info@chipsmall.com Web: www.chipsmall.com

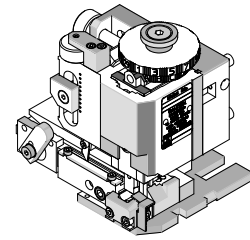
Address: A1208, Overseas Decoration Building, #122 Zhenhua RD., Futian, Shenzhen, China



**FineAdjust  
Applicator**



**Application Tooling  
Specification Sheet**



**Order No. 63901-8600**

**FEATURES**

- Quick punch removal with the push of a button for fast and easy tooling change
- Applicator designed to industry standard mounting and shut height 135.80mm (5.346")
- Quick set-up time; plus the crimp height, track and feed adjustments can be set without removing the applicator from the press
- Fine adjustment allows users to achieve target with little effort by adjusting in increments of .015mm (.0006") for conductor crimp height and .063mm (.0025") for insulation height
- Independent adjustment rings allow users to quickly adjust the conductor or insulation crimp height without affecting each other
- Directly adapts to most automatic wire processing machines

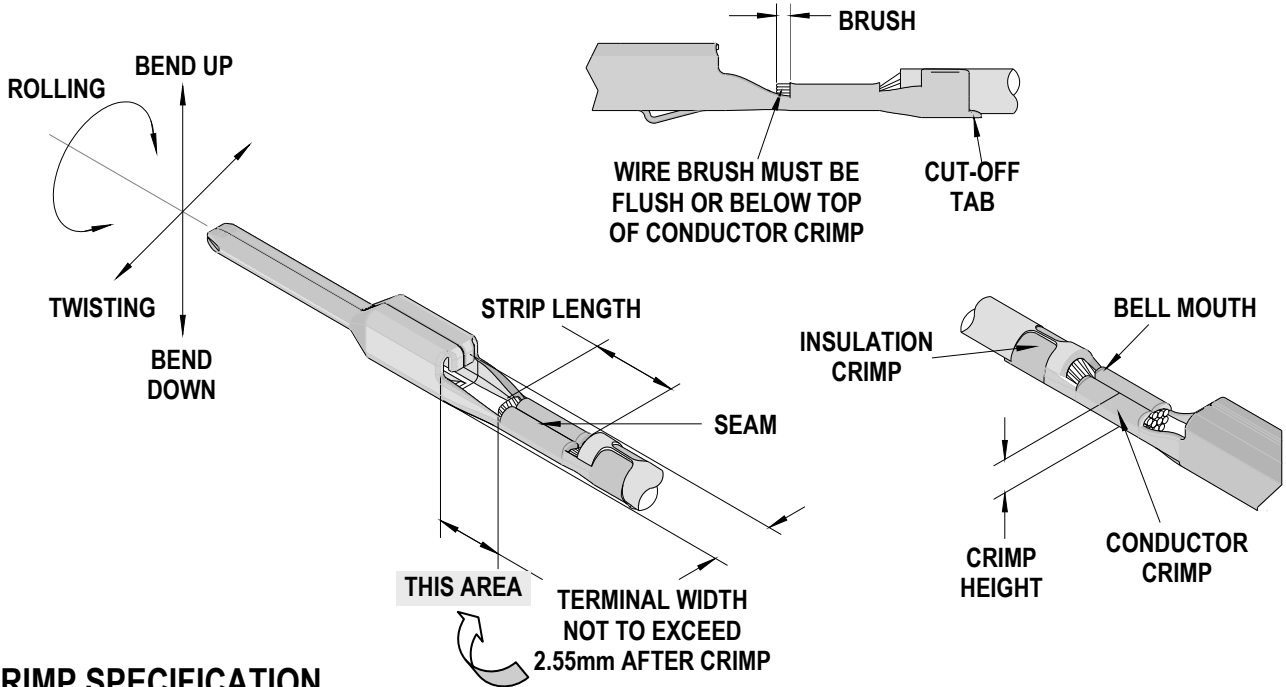
**SCOPE**

Products: MX150 ISO (M3) Blade Terminals: 0.35, 0.50 metric, type ISO wire.

Terminal Series No.	Terminal Order No.		Wire Size and Type		Insulation Diameter		Strip Length	
			mm <sup>2</sup>	Type	mm	In.	mm	In.
33000	33000-1004		0.35	ISO	1.20-1.40	.047-.055	4.70-5.60	.185-.220
			0.50	ISO	1.40-1.70	.055-.067	4.70-5.60	.185-.220
33011	33011-0008	33011-3004	0.35	ISO	1.20-1.40	.047-.055	4.70-5.60	.185-.220
			0.50	ISO	1.40-1.70	.055-.067	4.70-5.60	.185-.220
34781	34781-1004		0.35	ISO	1.20-1.40	.047-.055	4.70-5.60	.185-.220
			0.50	ISO	1.40-1.70	.055-.067	4.70-5.60	.185-.220

Terminals were validated per USCAR-21 using the ISO 6722 wire specifications.  
Customers are required to complete validation testing if tooling purchased outside Molex Inc.  
And/or wire specifications are different than above.

### DEFINITION OF TERMS



### CRIMP SPECIFICATION

Terminal Series No.	Bell mouth		Cut-off Tab Maximum		* Conductor Brush (Maximum)	
	mm	In.	mm	In.	mm	In.
33000	0.30-0.70	.012-.028	0.50	.020	0.40	.016
33011	0.30-0.70	.012-.028	0.50	.020	0.40	.016
34781	0.30-0.70	.012-.028	0.50	.020	0.40	.016

\* Wire brush must be flush or below top of Conductor Crimp.

Terminal Series No.	Bend up Bend down		Twist Roll		Punch Width mm (Ref)				Seam
	Degree		Degree		Conductor		Insulation		
	mm	In	mm	In	mm	In	mm	In	
33000	1.5	1.5	3	3	1.56	.061	2.00	.079	Seam shall not be open and no wire allowed out of the crimping area
33011	1.5	1.5	3	3	1.56	.061	2.00	.079	
34781	1.5	1.5	3	3	1.56	.061	2.00	.079	

After crimping, the conductor profile should measure the following.

Terminal Series No.	Wire Size mm <sup>2</sup>	Conductor				Insulation				Pull Force Minimum	
		Crimp Height		Crimp Width		Crimp Height		Crimp Width		N	Lb.
		mm	In.	mm	In.	mm	In.	mm	In.		
33000	0.35	1.02-1.08	.040-.042	1.50-1.70	.059-.067	1.65-1.85	.065-.073	1.90-2.10	.075-.083	50	11.3
	0.50	1.05-1.15	.041-.045	1.50-1.70	.059-.067	1.80-2.00	.071-.079	1.90-2.10	.075-.083	75	16.9
33011	0.35	1.02-1.08	.040-.042	1.50-1.70	.059-.067	1.65-1.85	.065-.073	1.90-2.10	.075-.083	50	11.3
	0.50	1.05-1.15	.041-.045	1.50-1.70	.059-.067	1.80-2.00	.071-.079	1.90-2.10	.075-.083	75	16.9
34781	0.35	1.02-1.08	.040-.042	1.50-1.70	.059-.067	1.65-1.85	.065-.073	1.90-2.10	.075-.083	50	11.3
	0.50	1.05-1.15	.041-.045	1.50-1.70	.059-.067	1.80-2.00	.071-.079	1.90-2.10	.075-.083	75	16.9

#### Tool Qualification Notes:

1. Pull Force should be measured with no influence from the insulation crimp.
2. The above specifications are guidelines to an optimum crimp.

**PARTS LIST**

<b>FineAdjust Applicator 63901-8600</b>				
<b>Item</b>	<b>Order No</b>	<b>Engineering No.</b>	<b>Description</b>	<b>Quantity</b>
<b>Perishable Tooling</b>				
	63901-8670	63901-8670	Tool Kit (All "Y" Items)	REF
1	63457-0070	63457-0070	Conductor Punch	1 Y
2	63455-0096	63455-0096	Conductor Anvil	1 Y
3	63454-0114	63454-0114	Insulation Punch	1 Y
4	63456-0078	63456-0078	Insulation Anvil	1 Y
5	63443-0037	63443-0037	Cut-Off Plunger	1 Y
6	63443-0038	63443-0038	Front Plunger Retainer	1 Y
<b>Other Components</b>				
7	11-18-4094	60709A111	Feed Guide	1
8	63443-0009	63443-0009	Scrap Chute	1
9	63443-0024	63443-0024	Key	1
10	63443-0090	63443-0090	Wire Stop	1
11	63443-1716	63443-1716	18.60mm Height Spacer	1
12	63443-2202	63443-2202	2.00mm Coarse Spacer	1
13	63443-2209	63443-2209	9.00mm Coarse Spacer	1
14	63443-2301	63443-2301	3.05mm Fine Spacer	1
15	63443-2804	63443-2804	Front Plunger Striker	1
16	63443-2915	63443-2915	Striker Plunger	1
17	63443-6115	63443-6115	Rear Cover	1
18	63600-1057	63600-1057	Striker Plunger Spring	1
19	63700-0539	63700-0539	Cut-off Plunger Spring	1
20	63867-3007	63867-3007	Bottom Cap	1
<b>Frame</b>				
21	63800-4901	63800-4901	Top	1
22	63801-3281	63801-3281	Base	1
23	63801-4650	63801-4650	Track	1
24	63459-0001	63459-0001	Terminal Track	1
<b>Hardware</b>				
25	N/A	N/A	M3 by 6 Long SHCS	2**
26	N/A	N/A	M3 by 6 Long FHCS	1**
27	N/A	N/A	M4 by 6 Long SHCS	2**
28	N/A	N/A	M4 by 8 Long Flat Point SSS	1**
29	N/A	N/A	M4 by 12 Long SHCS	2**
30	N/A	N/A	M4 by 12 Long BHCS	2**
31	N/A	N/A	M4 by 16 Long SHCS	1**
32	N/A	N/A	M4 by 50 Long SHCS	2**
33	N/A	N/A	M5 by 12 Long SHCS	1**
34	N/A	N/A	#10-32 by 3/8" Long Flat Point SSS	1**
35	N/A	N/A	#10-32 Hex Jam Nut	1**
** Available from an industrial supply company such as MSC (1-800-645-7270).				

### Assembly Drawing

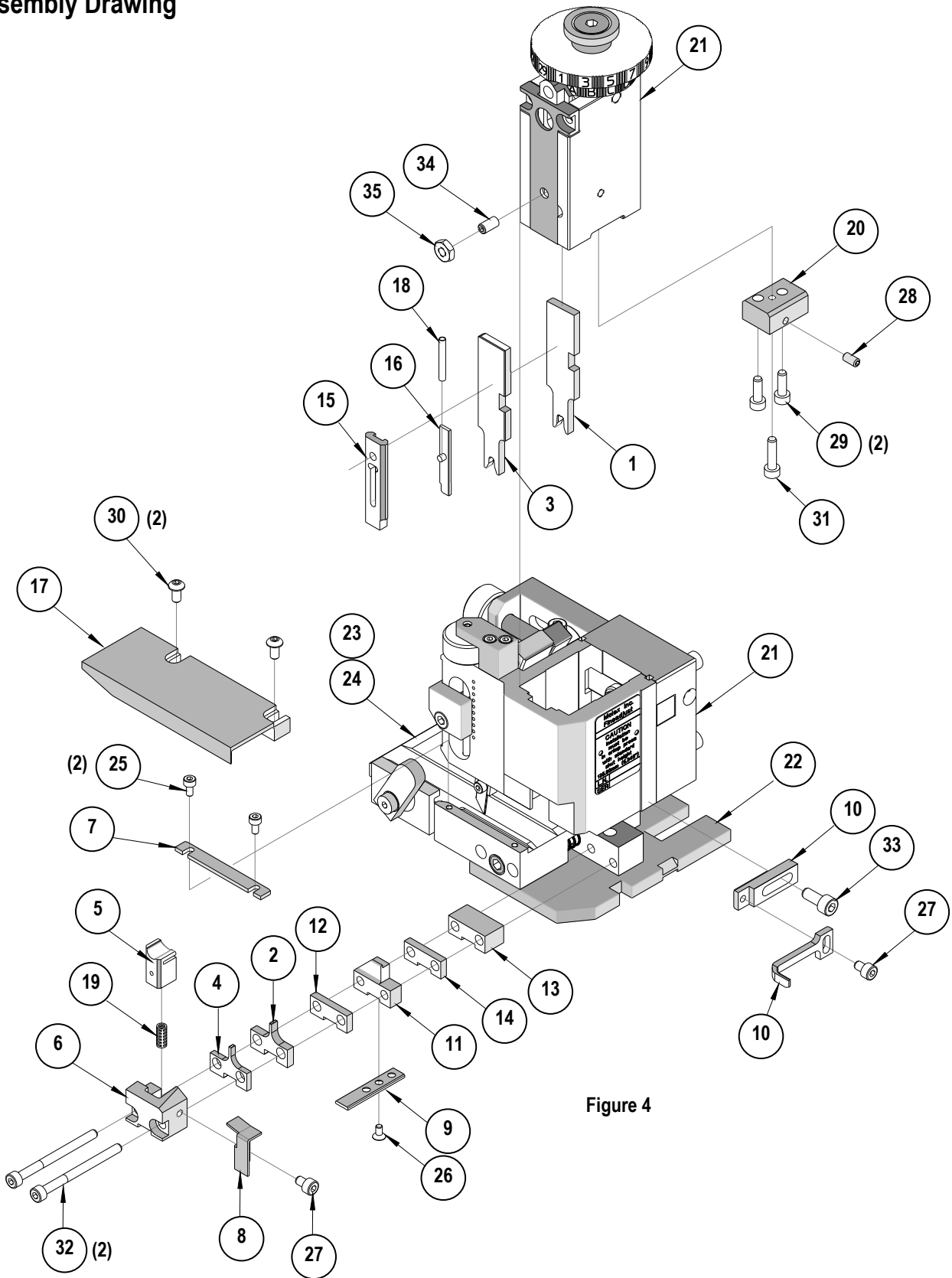


Figure 4

## NOTES

1. Molex recommends an extra perishable tooling kit be maintained at your facility.
2. Verify tooling alignment by manually cycling the press and Applicator before crimping under power. Check that all screws are tight.
3. Slugs, Terminals, Dirt and Oil should be kept clear of work area.
4. Wear safety glasses at all times.
5. For recommended maintenance refer to the FineAdjust Manual.

**CAUTION:** This applicator should only be used in a press with a shut height of 135.80 mm (5.346"). Tooling damage could result at a lower setting.

**CAUTION:** To prevent injury never operate this Applicator without the guards supplied with the press or wire-processing machine in place. Reference the press or wire processing manufacturer's instruction manual.

**CAUTION:** Molex crimp specifications are valid only when used with Molex terminals, applicators and tooling.

<http://www.molex.com>