



Chipsmall Limited consists of a professional team with an average of over 10 year of expertise in the distribution of electronic components. Based in Hongkong, we have already established firm and mutual-benefit business relationships with customers from,Europe,America and south Asia,supplying obsolete and hard-to-find components to meet their specific needs.

With the principle of “Quality Parts,Customers Priority,Honest Operation,and Considerate Service”,our business mainly focus on the distribution of electronic components. Line cards we deal with include Microchip,ALPS,ROHM,Xilinx,Pulse,ON,Everlight and Freescale. Main products comprise IC,Modules,Potentiometer,IC Socket,Relay,Connector.Our parts cover such applications as commercial,industrial, and automotives areas.

We are looking forward to setting up business relationship with you and hope to provide you with the best service and solution. Let us make a better world for our industry!



Contact us

Tel: +86-755-8981 8866 Fax: +86-755-8427 6832

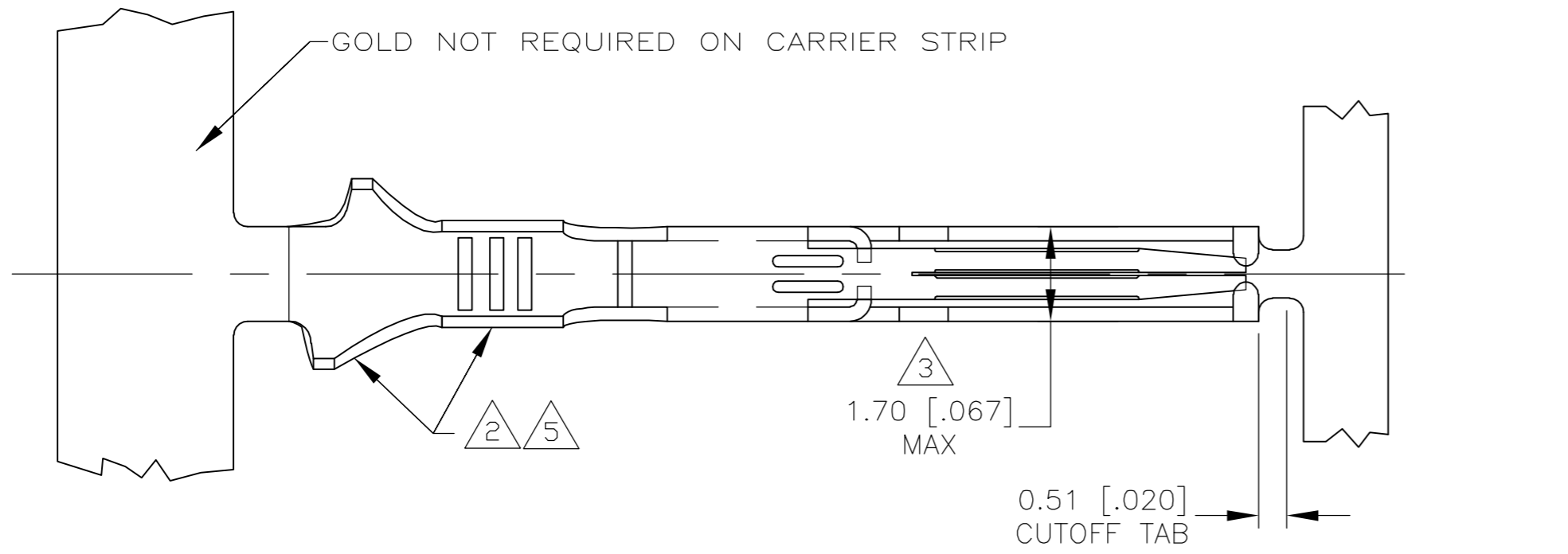
Email & Skype: info@chipsmall.com Web: www.chipsmall.com

Address: A1208, Overseas Decoration Building, #122 Zhenhua RD., Futian, Shenzhen, China

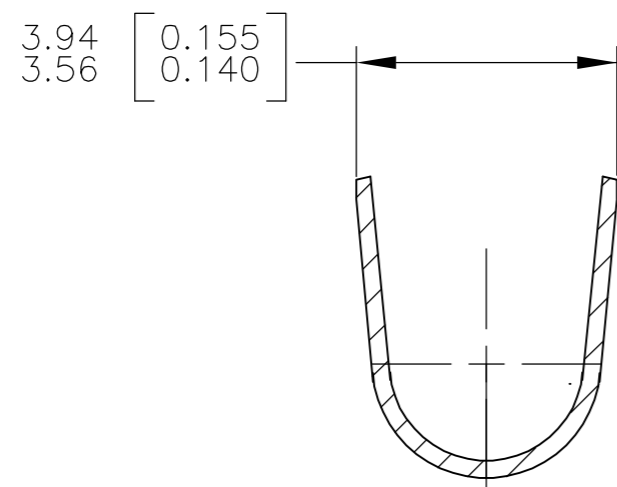
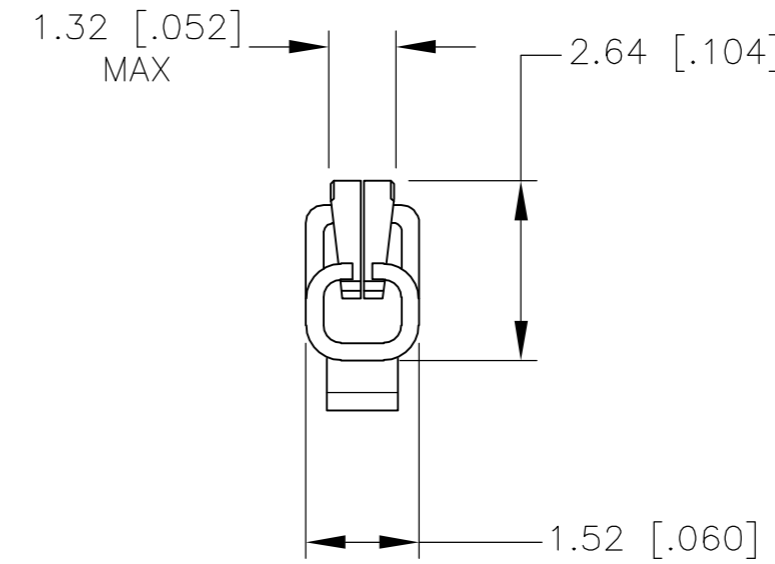
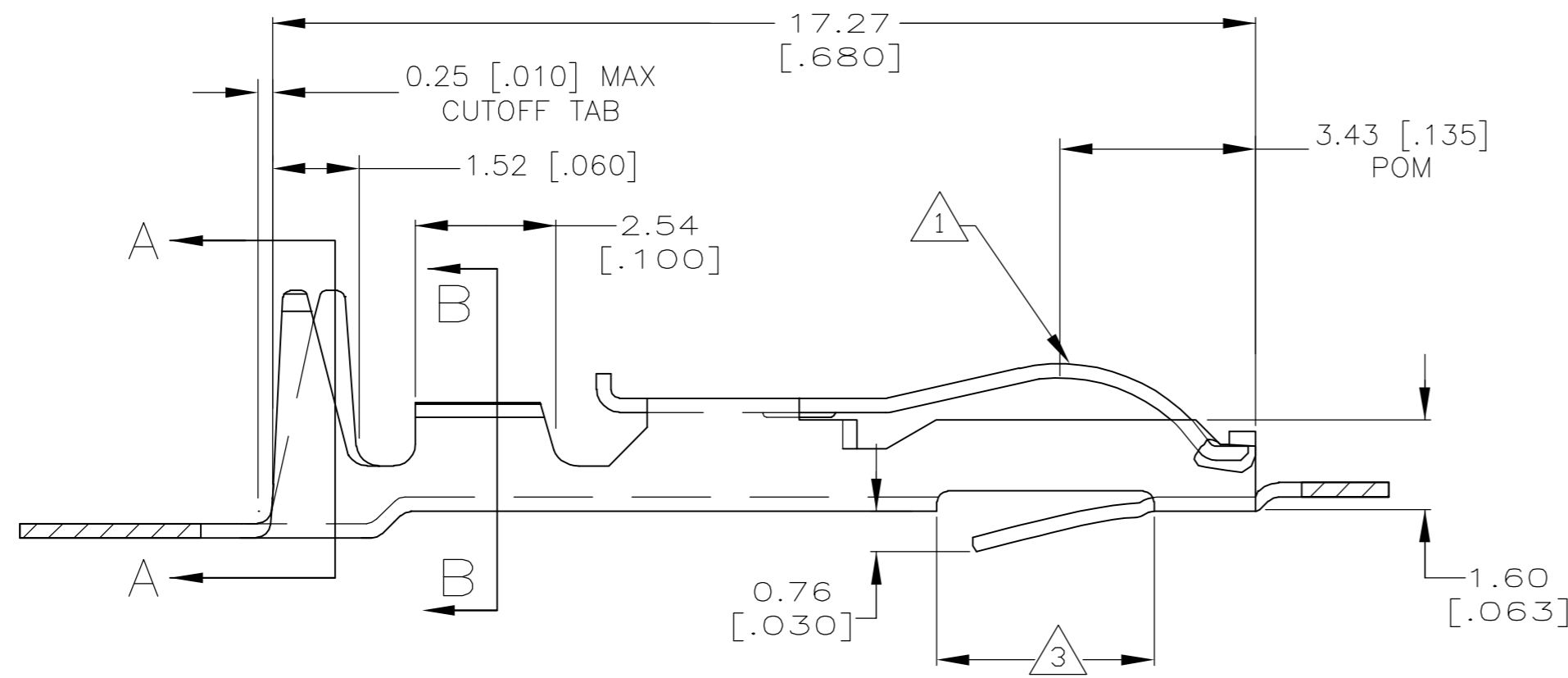


THIS DRAWING IS UNPUBLISHED. RELEASED FOR PUBLICATION
 © COPYRIGHT BY TYCO ELECTRONICS CORPORATION. ALL RIGHTS RESERVED.

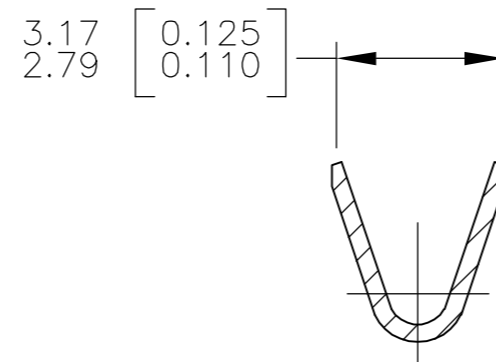
LOC	DIST	REVISIONS					
GP	00	P	LTR	DESCRIPTION	DATE	DWN	APVD
		A		RELEASED PER EC 0S12-0017-05	03 JUN 05	AWF	AWF



- 1 0.76 μm [.000030] MIN GOLD OVER 0.76 μm [.000030] MIN NICKEL IN CONTACT AREA.
- 2 MATTE TIN PLATE IN CRIMP AREA.
- 3 .067 MAX ALLOWED IN LOCKING LANCE AREA.
- 4. REEL QUANTITY = 7000 PIECES.



SECTION A-A
 INSULATION RANGE
 .100-.121 DIA



SECTION B-B
 WIRE RANGE
 #20-16

THIS DRAWING IS A CONTROLLED DOCUMENT.		DWN AL FRANTUM 03 JUN 05	Tyco Electronics Corporation Harrisburg, Pa 17105-3608	
DIMENSIONS: INCHES		CHK AL FRANTUM 03 JUN 05		
TOLERANCES UNLESS OTHERWISE SPECIFIED:		APVD	NAME CONTACT, CRIMP-SNAP, 20-16 AWG, TWIN LEAF	
0 PLC ± - 1 PLC ± - 2 PLC ± 0.13 [.005] 3 PLC ± - 4 PLC ± - ANGLES ± 2° FINISH		PRODUCT SPEC	SIZE A2	CAGE CODE 00779
MATERIAL COPPER ALLOY		APPLICATION SPEC	DRAWING NO C=5147431	RESTRICTED TO -
		WEIGHT -	SCALE 10:1	SHEET 1 OF 1
		CUSTOMER DRAWING	REV A	