



Chipsmall Limited consists of a professional team with an average of over 10 year of expertise in the distribution of electronic components. Based in Hongkong, we have already established firm and mutual-benefit business relationships with customers from,Europe,America and south Asia,supplying obsolete and hard-to-find components to meet their specific needs.

With the principle of “Quality Parts,Customers Priority,Honest Operation,and Considerate Service”,our business mainly focus on the distribution of electronic components. Line cards we deal with include Microchip,ALPS,ROHM,Xilinx,Pulse,ON,Everlight and Freescale. Main products comprise IC,Modules,Potentiometer,IC Socket,Relay,Connector.Our parts cover such applications as commercial,industrial, and automotives areas.

We are looking forward to setting up business relationship with you and hope to provide you with the best service and solution. Let us make a better world for our industry!



## Contact us

Tel: +86-755-8981 8866 Fax: +86-755-8427 6832

Email & Skype: info@chipsmall.com Web: www.chipsmall.com

Address: A1208, Overseas Decoration Building, #122 Zhenhua RD., Futian, Shenzhen, China



THIS DRAWING IS UNPUBLISHED. RELEASED FOR PUBLICATION

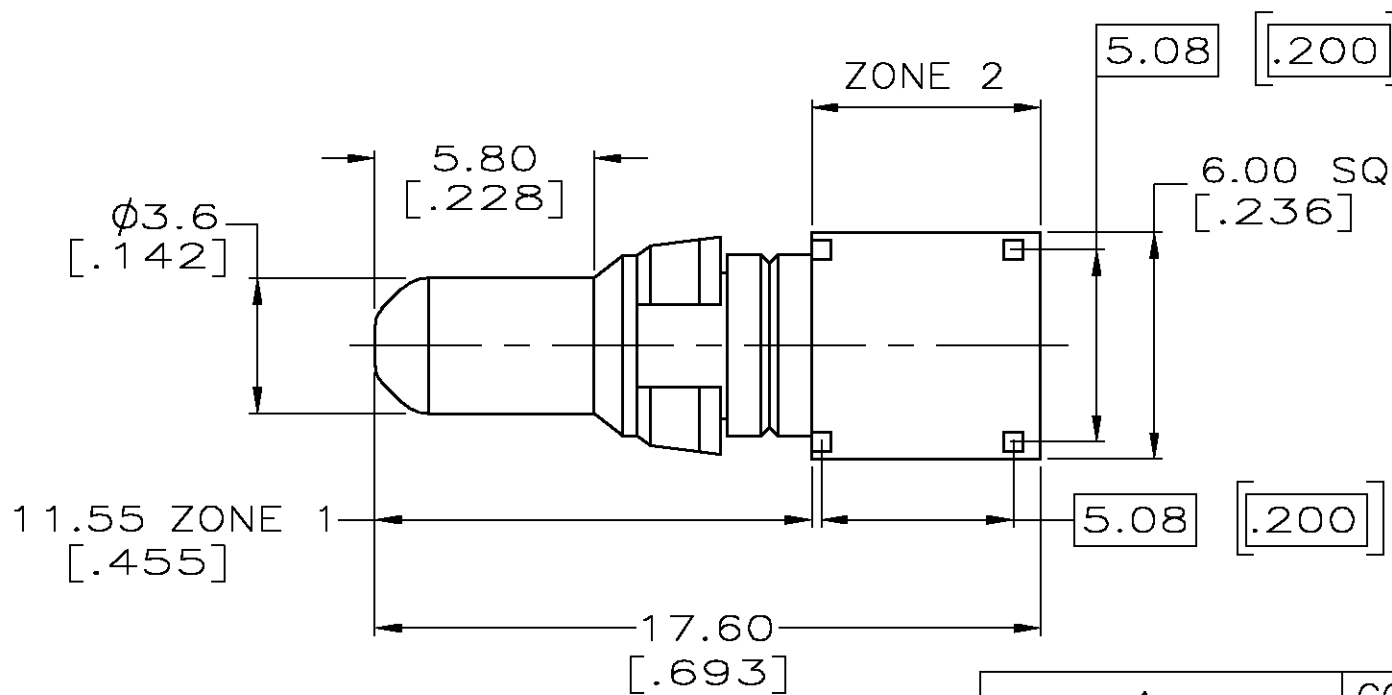
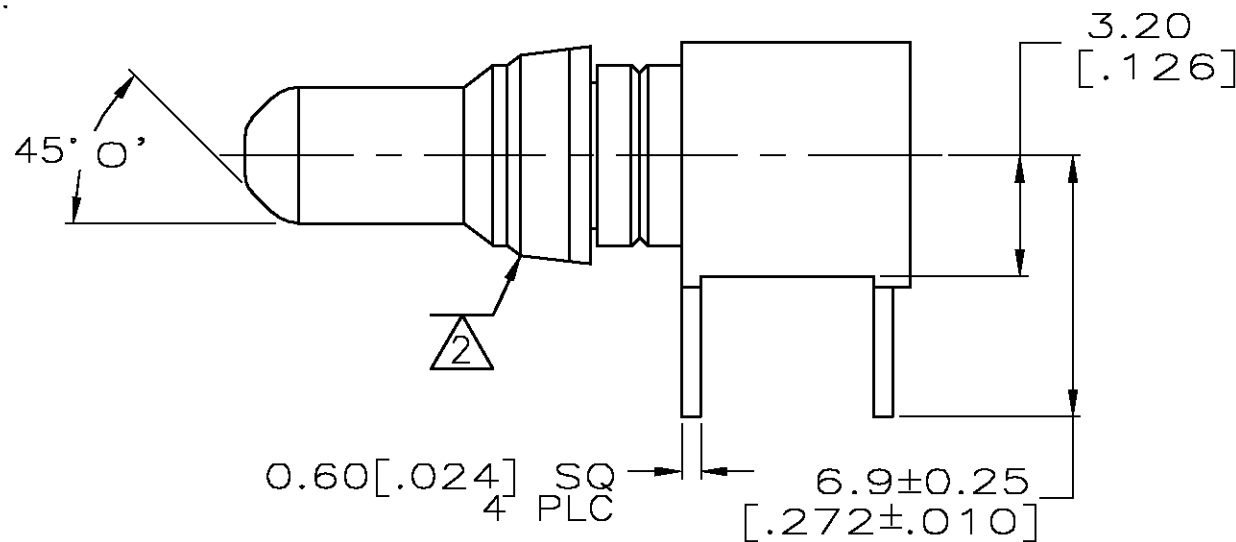
© COPYRIGHT BY TYCO ELECTRONICS CORPORATION. ALL RIGHTS RESERVED.

LOC	DIST	REVISIONS					
AD	25	P	LTR	DESCRIPTION	DATE	DWN	APVD
		0		RELEASED PER EC 0S12-0061-05	06APR05	JDP	AMS

1. SUITABLE FOR MALE TYPE M CONNECTORS.

2 RETAINING RING.

3 GOLD PLATE 0.000762 [.000030] MIN THICK IN ZONE 1, TIN PLATE 0.00254 [.000100] MIN THICK IN ZONE 2. NICKLE UNDERPLATE 0.00127 [.000050] MIN THICK ALL OVER.



3	CONTACT; COPPER ALLOY	5148354-1
	RETAINING RING; COPPER ALLOY	
FINISH	MATERIAL	PART NUMBER

THIS DRAWING IS A CONTROLLED DOCUMENT.		DWN J. POLIGNONE 06APR05	Tyco Electronics Corporation Harrisburg, Pa 17105-3608	
DIMENSIONS: mm [INCHES]		CHK A. SHARPE 06APR05	NAME POWER CONTACT, MALE, RIGHT ANGLE 4 SOLDER POSTS (25 AMP)	
TOLERANCES UNLESS OTHERWISE SPECIFIED:		APVD A. SHARPE 06APR05	PRODUCT SPEC	
0 PLC ± -		APPLICATION SPEC		
1 PLC ± -		SIZE		
2 PLC ± 0.13 [.005]		CAGE CODE		
3 PLC ± -		DRAWING NO		
4 PLC ± -		RESTRICTED TO		
ANGLES ± -		A300779 C-5148354		
MATERIAL SEE TABLE		WEIGHT -		
FINISH SEE TABLE		CUSTOMER DRAWING		
		SCALE 5:1		SHEET 1 OF 1
				REV 0