



Chipsmall Limited consists of a professional team with an average of over 10 year of expertise in the distribution of electronic components. Based in Hongkong, we have already established firm and mutual-benefit business relationships with customers from,Europe,America and south Asia,supplying obsolete and hard-to-find components to meet their specific needs.

With the principle of “Quality Parts,Customers Priority,Honest Operation,and Considerate Service”,our business mainly focus on the distribution of electronic components. Line cards we deal with include Microchip,ALPS,ROHM,Xilinx,Pulse,ON,Everlight and Freescale. Main products comprise IC,Modules,Potentiometer,IC Socket,Relay,Connector.Our parts cover such applications as commercial,industrial, and automotives areas.

We are looking forward to setting up business relationship with you and hope to provide you with the best service and solution. Let us make a better world for our industry!



## Contact us

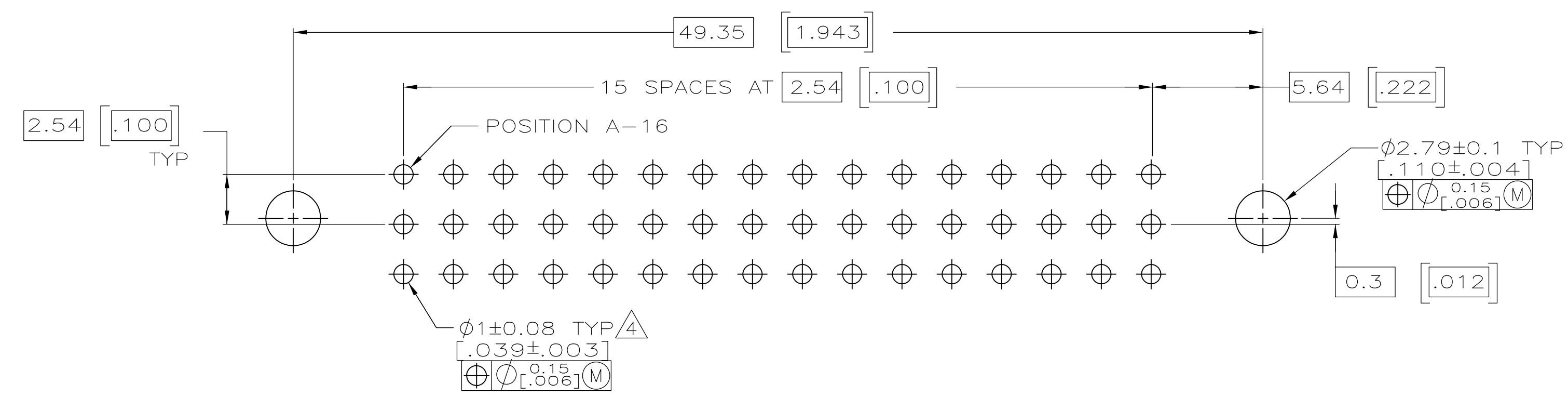
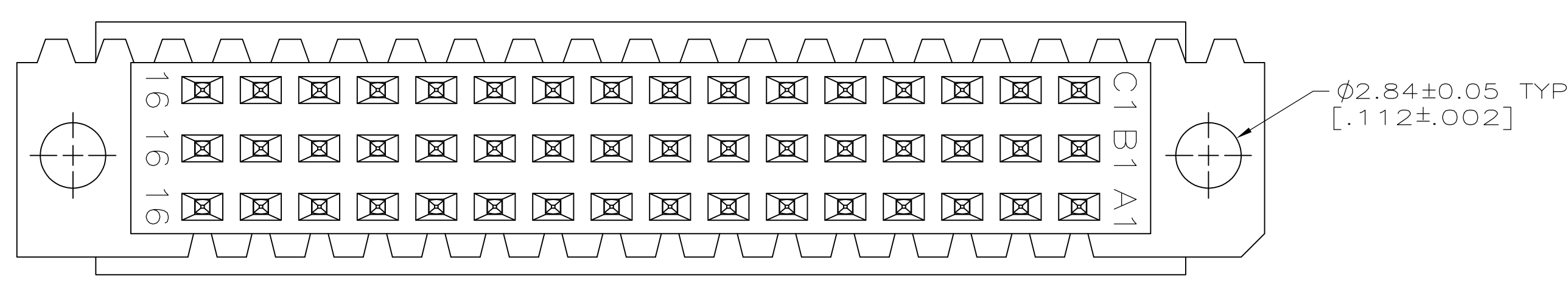
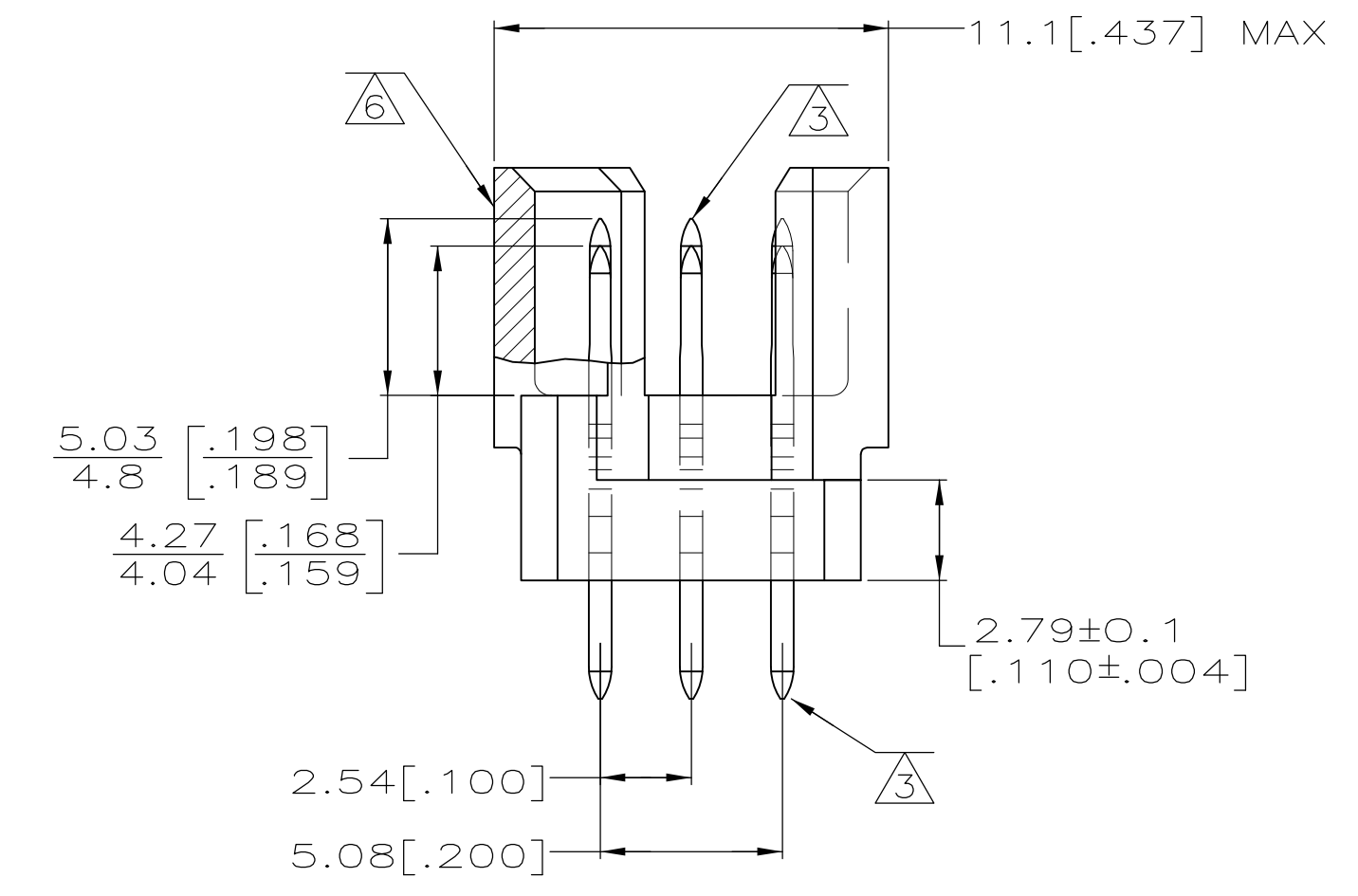
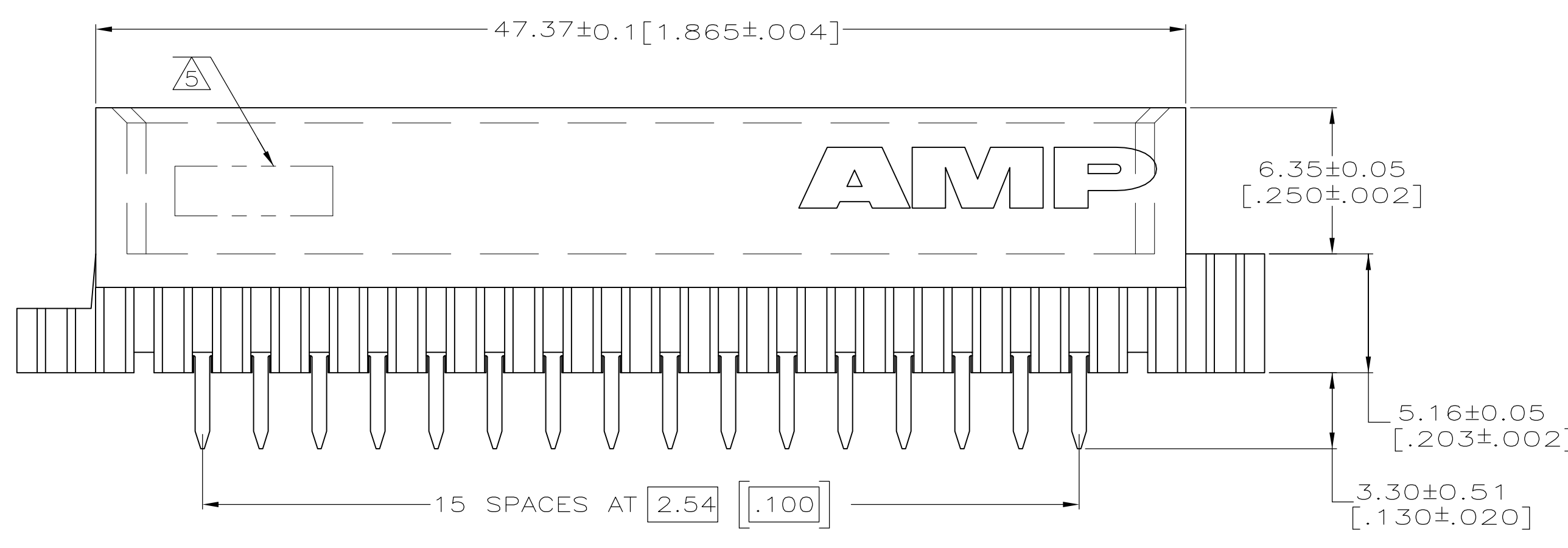
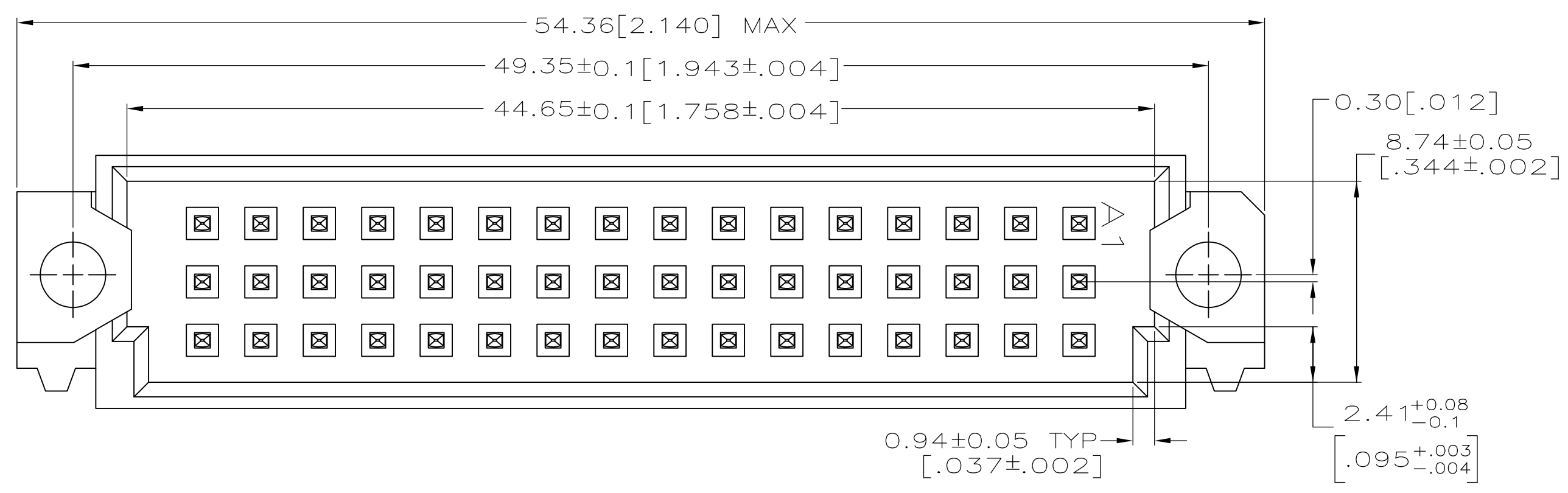
Tel: +86-755-8981 8866 Fax: +86-755-8427 6832

Email & Skype: info@chipsmall.com Web: www.chipsmall.com

Address: A1208, Overseas Decoration Building, #122 Zhenhua RD., Futian, Shenzhen, China



- 1 HOUSING MATERIAL: GLASS-FILLED POLYMER.
- 2 POST MATERIAL: COPPER ALLOY.
- 3 POST FINISH: DIN 41612 CLASS 2 IN CONTACT AREA. TIN PLATE ON POSTS.
- 4 RECOMMENDED HOLE SIZE FOR MANUAL APPLICATION OF CONNECTOR ONTO PC BOARD.
- 5 PART NUMBER, DATE CODE MARKED THIS APPROXIMATE AREA.
- 6 MARKINGS ON THIS SIDE.



PC BOARD LAYOUT

4 & 14	1-3, 5-13, 15-16	X	-	-	16	5148474-1
NONE	1-16	-	X	-	16	
NONE	1-16	-	-	X	16	
POSITIONS LOADED WITH 4.93[.194] CONTACTS	POSITIONS LOADED WITH 4.16[.164] CONTACTS	C	B	A	NO. OF LOADED POSITIONS	PART NUMBER

THIS DRAWING IS A CONTROLLED DOCUMENT.		DIN J. POLIGNONE DSMAYOS	Tyco Electronics Corporation Harrisburg, Pa 17105-3608	
DIMENSIONS: mm [INCHES]	TOLERANCES UNLESS OTHERWISE SPECIFIED:	CMK A. SHARPE DSMAYOS	NAME ASSEMBLY, PIN, EUROCARD, TYPE 1/2R, 48 POSITION, .130 SOLDER POST, WITH MFBL CONTACTS	
0 PLC ± -	1 PLC ± -	APVD A. SHARPE DSMAYOS	SIZE A1	CAGE CODE 00779
2 PLC ± 0.13[.005]	3 PLC ± -	PRODUCT SPEC -	DRAWING NO. 5148474	RESTRICTED TO -
4 PLC ± -	ANGLES ± -	APPLICATION SPEC -	WEIGHT -	CUSTOMER DRAWING
MATERIAL 1/2	FINISH 3	SCALE 5:1	SHEET 1 OF 1	REV 01