



Chipsmall Limited consists of a professional team with an average of over 10 year of expertise in the distribution of electronic components. Based in Hongkong, we have already established firm and mutual-benefit business relationships with customers from,Europe,America and south Asia,supplying obsolete and hard-to-find components to meet their specific needs.

With the principle of “Quality Parts,Customers Priority,Honest Operation,and Considerate Service”,our business mainly focus on the distribution of electronic components. Line cards we deal with include Microchip,ALPS,ROHM,Xilinx,Pulse,ON,Everlight and Freescale. Main products comprise IC,Modules,Potentiometer,IC Socket,Relay,Connector.Our parts cover such applications as commercial,industrial, and automotives areas.

We are looking forward to setting up business relationship with you and hope to provide you with the best service and solution. Let us make a better world for our industry!



Contact us

Tel: +86-755-8981 8866 Fax: +86-755-8427 6832

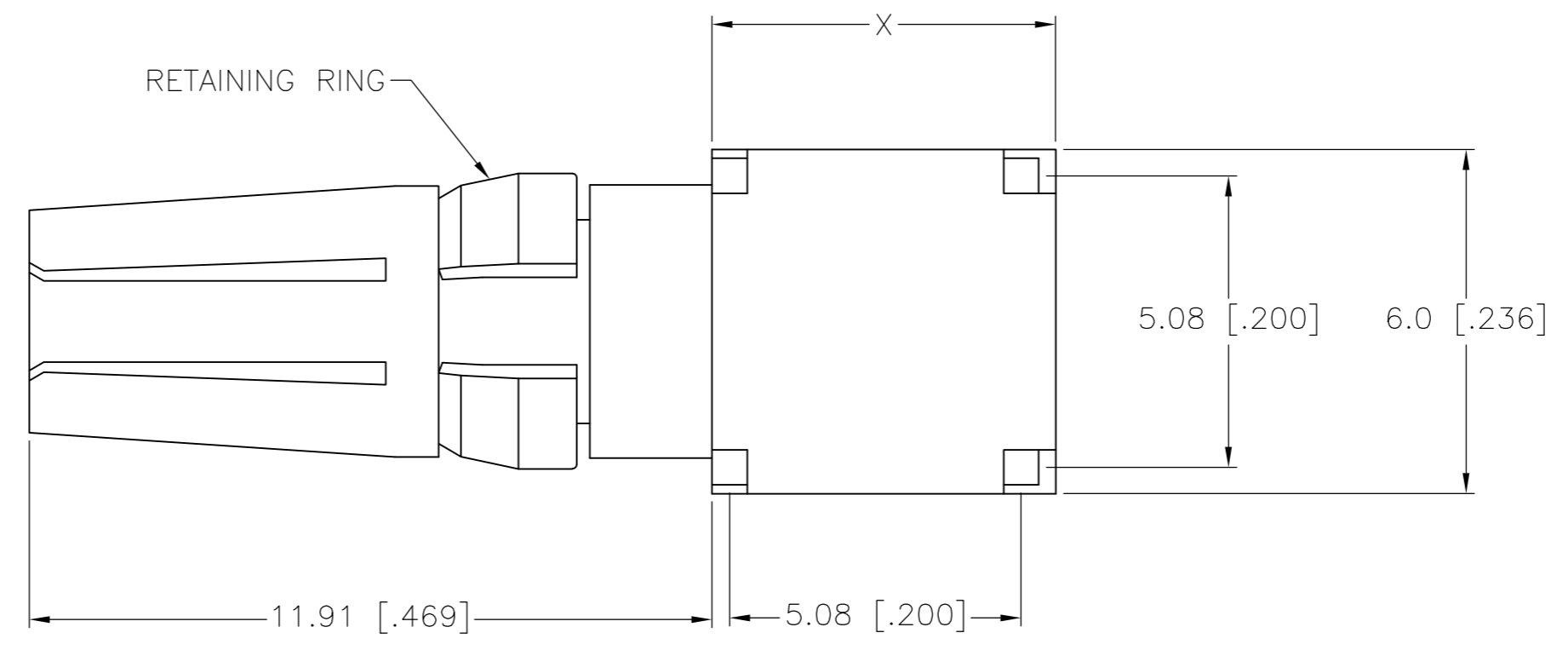
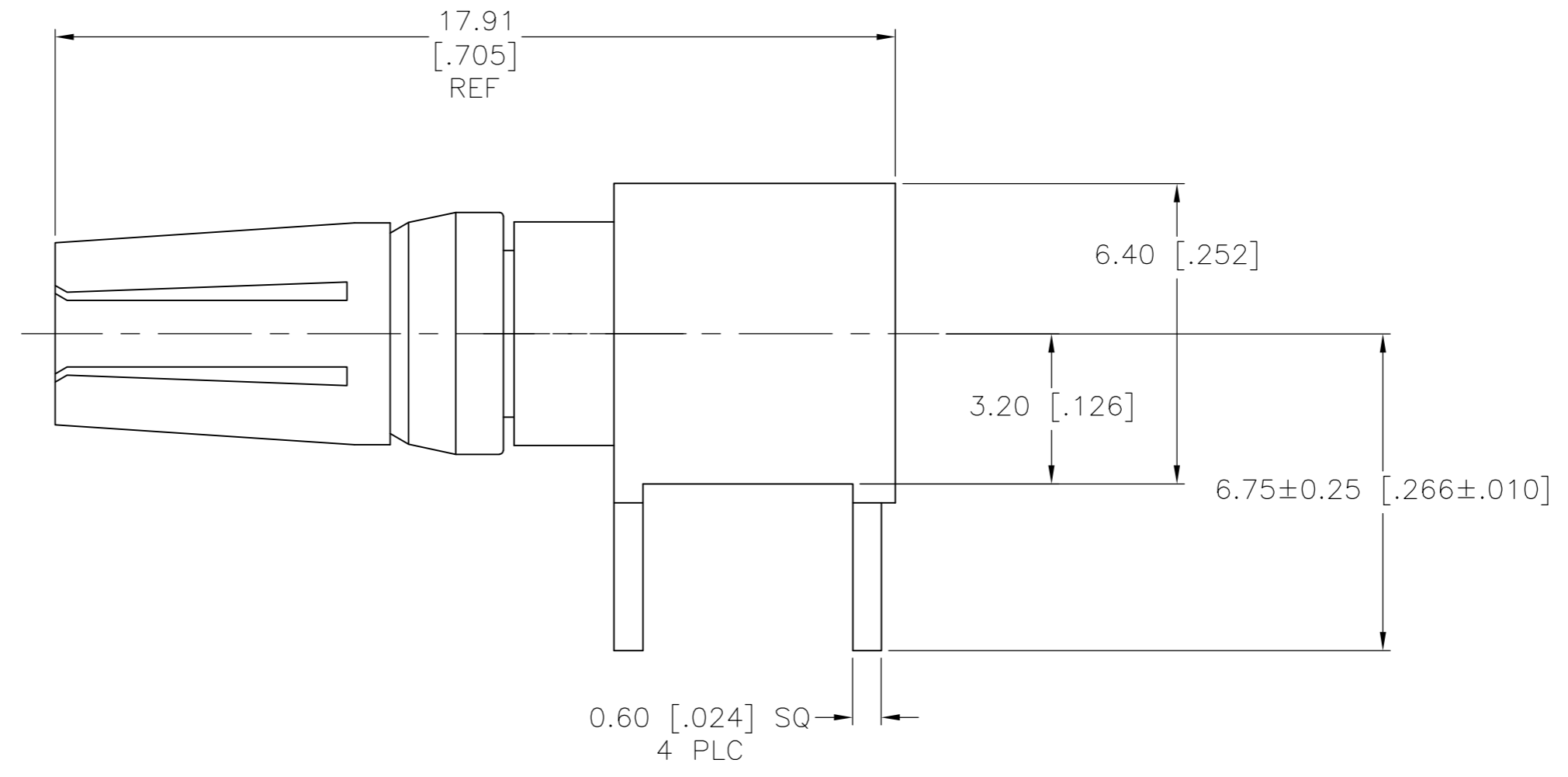
Email & Skype: info@chipsmall.com Web: www.chipsmall.com

Address: A1208, Overseas Decoration Building, #122 Zhenhua RD., Futian, Shenzhen, China



THIS DRAWING IS UNPUBLISHED. RELEASED FOR PUBLICATION
 © COPYRIGHT BY TYCO ELECTRONICS CORPORATION. ALL RIGHTS RESERVED.

LOC		DIST		REVISIONS			
P	LTR	DESCRIPTION		DATE	DWN	APVD	
	B	REV PER EC 0512-0302-05		14DEC05	BC	GS	
	C	ECR-10-019054		15SEP10	DP	MQW	



- 1 SUITABLE FOR FEMALE TYPE M CONNECTORS.
- 2 CONTACT SPRING: BERYLLIUM COPPER.
CONTACT BODY: BRASS.
RETAINING RING: BERYLLIUM COPPER.
- 3 CONTACT FINISH: 0.00127[.000050] MIN GOLD IN CONTACT AREA,
0.00254[.000100] MIN TIN IN AREA "X", ALL OVER
0.00127[.000050] NICKEL.
- 4 CONTACT FINISH: 0.00076[.000030] MIN GOLD IN CONTACT AREA,
0.00254[.000100] MIN TIN IN AREA "X", ALL OVER
0.00127[.000050] NICKEL.

OBSOLETE	4	5148513-2
	3	5148513-1
	FINISH	PART NUMBER

THIS DRAWING IS A CONTROLLED DOCUMENT.		DWN	B.CARBO	15JUL05	Tyco Electronics Corporation Harrisburg, PA 17105-3608
DIMENSIONS:		CHK	A.SHARPE	15JUL05	
mm [INCHES]		APVD	A.SHARPE	15JUL05	
TOLERANCES UNLESS OTHERWISE SPECIFIED:		PRODUCT SPEC	NAME		
0-PLC ± 1-PLC ± 2-PLC ± ±0.2 3-PLC ± 4-PLC ± ANGLES ±		APPLICATION SPEC	POWER CONTACT, EUROCARD TYPE M, FEMALE 90 DEGREE, PRINTED CIRCUIT BOARD MOUNT		
MATERIAL	FINISH	WEIGHT	SIZE		CAGE CODE
2	SEE TABLE	-	A2		00779
CUSTOMER DRAWING			DRAWING NO		RESTRICTED TO
			C=5148513		-
			SCALE	SHEET	REV
			8:1	1 of 1	C