



Chipsmall Limited consists of a professional team with an average of over 10 year of expertise in the distribution of electronic components. Based in Hongkong, we have already established firm and mutual-benefit business relationships with customers from,Europe,America and south Asia,supplying obsolete and hard-to-find components to meet their specific needs.

With the principle of "Quality Parts,Customers Priority,Honest Operation,and Considerate Service",our business mainly focus on the distribution of electronic components. Line cards we deal with include Microchip,ALPS,ROHM,Xilinx,Pulse,ON,Everlight and Freescale. Main products comprise IC,Modules,Potentiometer,IC Socket,Relay,Connector.Our parts cover such applications as commercial,industrial, and automotives areas.

We are looking forward to setting up business relationship with you and hope to provide you with the best service and solution. Let us make a better world for our industry!



## Contact us

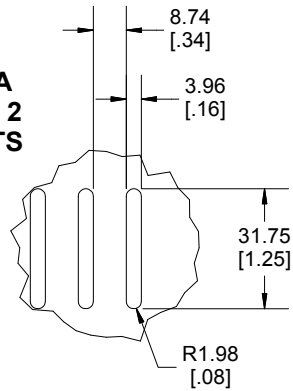
Tel: +86-755-8981 8866 Fax: +86-755-8427 6832

Email & Skype: info@chipsmall.com Web: www.chipsmall.com

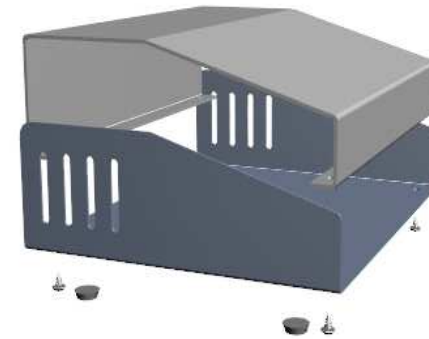
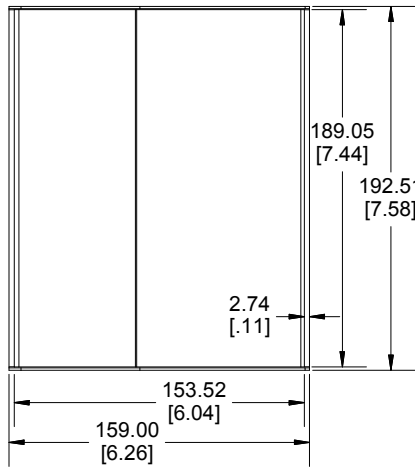
Address: A1208, Overseas Decoration Building, #122 Zhenhua RD., Futian, Shenzhen, China



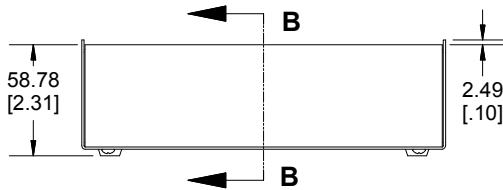
**DETAIL A  
SCALE 1 / 2  
END VENTS**



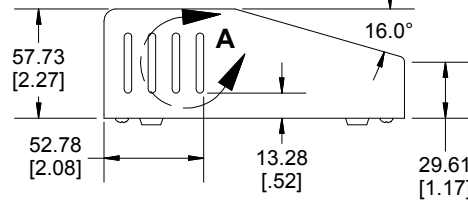
**TOP VIEW OF ENCLOSURE**



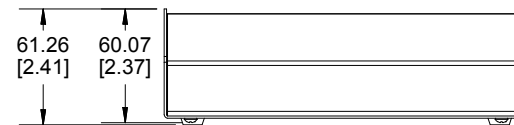
**BACK VIEW OF ENCLOSURE**



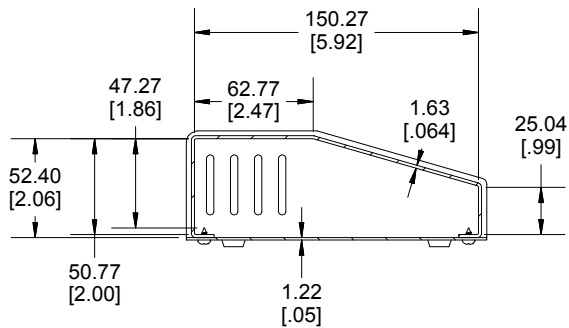
**END VIEW OF ENCLOSURE**



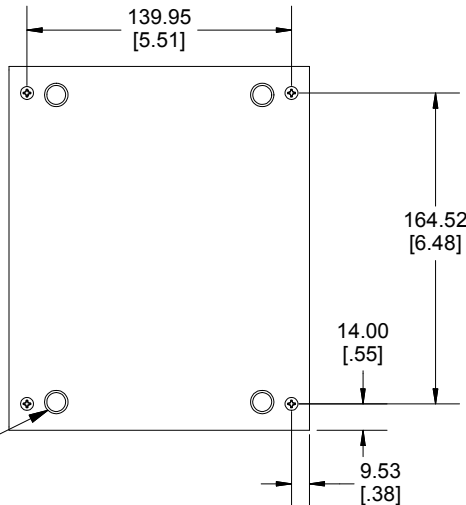
**FRONT VIEW OF ENCLOSURE**



**SECTION B-B  
END VIEW**



**BOTTOM VIEW OF ENCLOSURE**



ADHESIVE RUBBER FEET

Enclosures can be Factory Modified ( Milling, Drilling, Printing etc.)  
Contact Factory [mjm@hammondmfg.com](mailto:mjm@hammondmfg.com) for quotes  
Solid models of this enclosure available in STEP or IGES.

**NOTE**

Case Includes Adhesive Rubber Feet and Required Hardware.  
Enclosure Case is Made of 0.05" Steel.  
Top Panel is Made of 0.064" Aluminum.

**PART NUMBERS**

515-0930 Enclosure

Smooth Light Grey Top Case  
Dark Satin Grey Base Case

515-0930

**ACCESSORIES**

Plated Cover Screws (Pkg 50)  
[#6 x 1/4 Self Tapping]

SC19482-50

Grey Self-Adhesive Rubber Feet (Pkg 4)

1421T2GY

Dimensions:  
mm  
[inches]

**HAMMOND  
MANUFACTURING™**

**515-0930**

[www.hammondmfg.com](http://www.hammondmfg.com)