



Chipsmall Limited consists of a professional team with an average of over 10 year of expertise in the distribution of electronic components. Based in Hongkong, we have already established firm and mutual-benefit business relationships with customers from,Europe,America and south Asia,supplying obsolete and hard-to-find components to meet their specific needs.

With the principle of “Quality Parts,Customers Priority,Honest Operation,and Considerate Service”,our business mainly focus on the distribution of electronic components. Line cards we deal with include Microchip,ALPS,ROHM,Xilinx,Pulse,ON,Everlight and Freescale. Main products comprise IC,Modules,Potentiometer,IC Socket,Relay,Connector.Our parts cover such applications as commercial,industrial, and automotives areas.

We are looking forward to setting up business relationship with you and hope to provide you with the best service and solution. Let us make a better world for our industry!



## Contact us

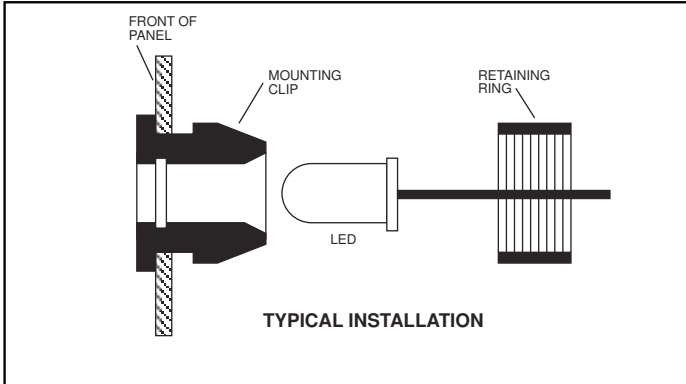
Tel: +86-755-8981 8866 Fax: +86-755-8427 6832

Email & Skype: info@chipsmall.com Web: www.chipsmall.com

Address: A1208, Overseas Decoration Building, #122 Zhenhua RD., Futian, Shenzhen, China



# 5mm LED Snap-In Mounting Clips

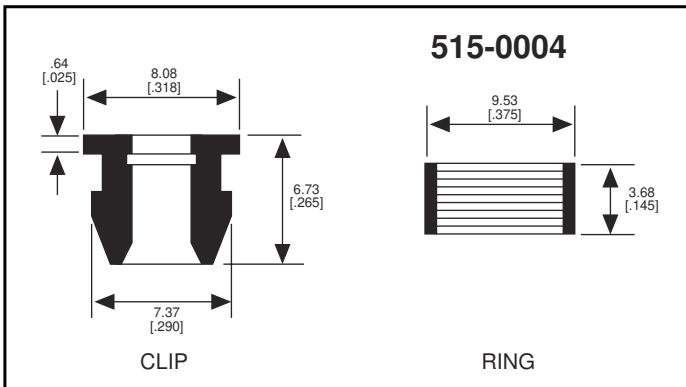


### Mounting Instructions

1. Snap Mounting Clip into front of Panel.
2. Insert LED Lamp into Mounting Clip from rear of Panel.
3. Snap Retaining Ring over Mounting Clip from rear.

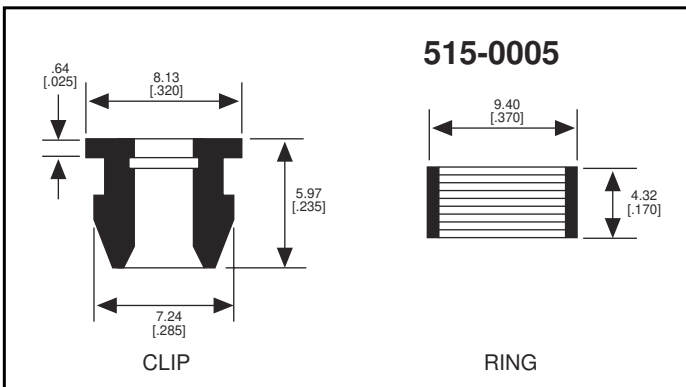
**Recommended Mounting Hole:** 6.73 [.265]

**Maximum Panel Thickness:** 2.78 [.110]



515-0004 Snap-In Mounting Clips for use with the following LEDs:

521-9183	521-9321
521-9246	521-9327
521-9247	521-9450
521-9248	521-9460 <b>NEW</b>
521-9249	521-9464
521-9250	521-9465
521-9251	521-9466
521-9284	521-9704
521-9320	



515-0005 Snap-In Mounting Clips for use with the following LEDs:

521-9173
521-9174
521-9445
521-9651
521-9724