



Chipsmall Limited consists of a professional team with an average of over 10 year of expertise in the distribution of electronic components. Based in Hongkong, we have already established firm and mutual-benefit business relationships with customers from,Europe,America and south Asia,supplying obsolete and hard-to-find components to meet their specific needs.

With the principle of “Quality Parts,Customers Priority,Honest Operation,and Considerate Service”,our business mainly focus on the distribution of electronic components. Line cards we deal with include Microchip,ALPS,ROHM,Xilinx,Pulse,ON,Everlight and Freescale. Main products comprise IC,Modules,Potentiometer,IC Socket,Relay,Connector.Our parts cover such applications as commercial,industrial, and automotives areas.

We are looking forward to setting up business relationship with you and hope to provide you with the best service and solution. Let us make a better world for our industry!



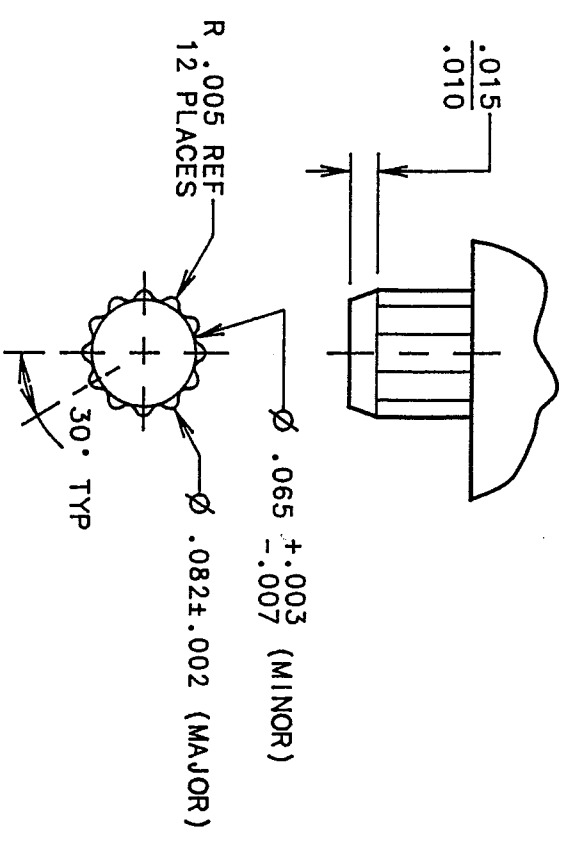
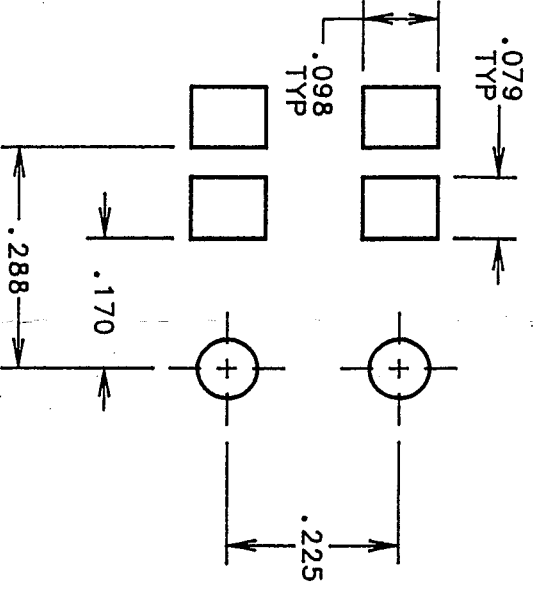
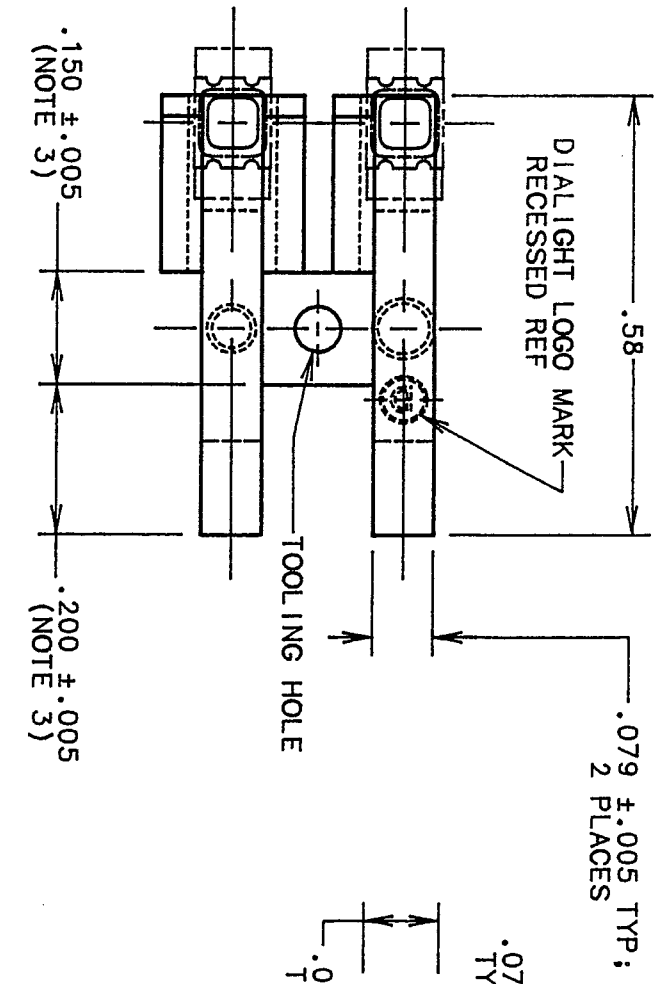
## Contact us

Tel: +86-755-8981 8866 Fax: +86-755-8427 6832

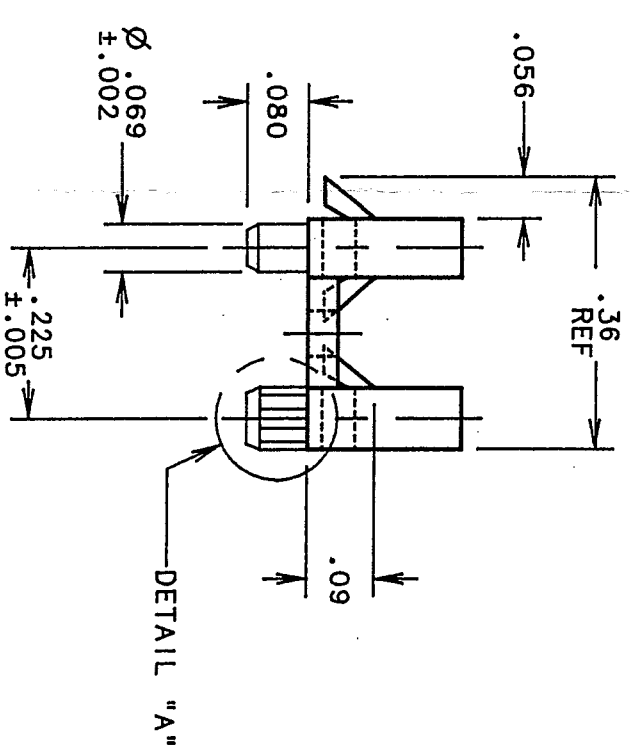
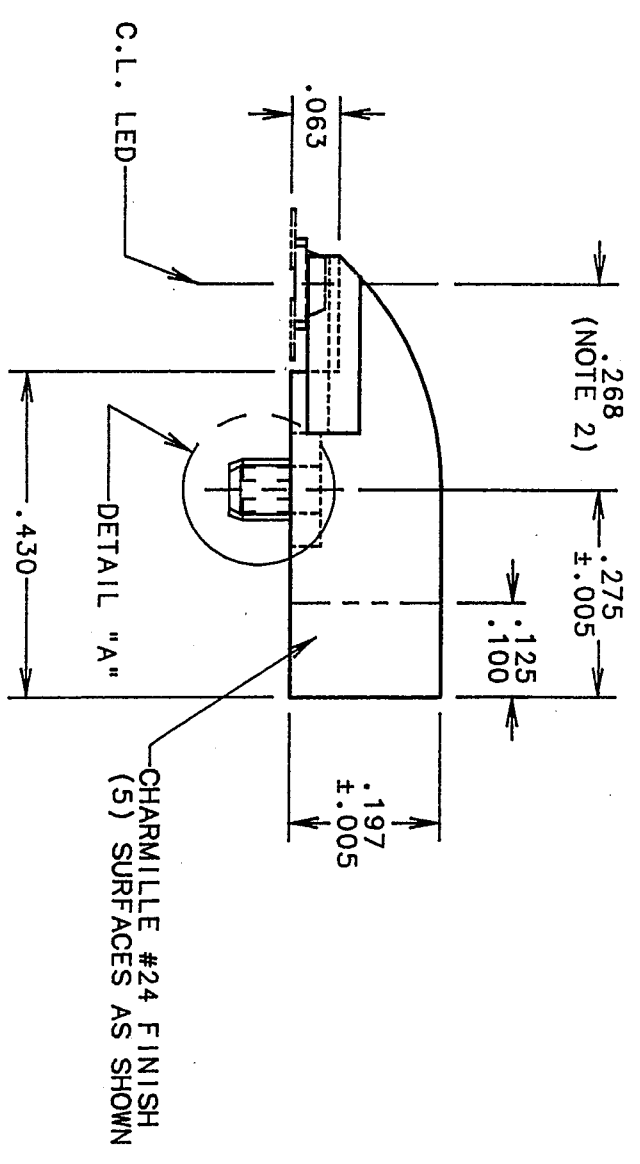
Email & Skype: info@chipsmall.com Web: www.chipsmall.com

Address: A1208, Overseas Decoration Building, #122 Zhenhua RD., Futian, Shenzhen, China





RECOMMENDED SOLDER PAD LAYOUT



CHARMILLE #24 FINISH (5) SURFACES AS SHOWN

NOTES:

1. COMPONENT TO BE MOLDED IN A CLEAR TRANSMISSIVE POLYCARBONATE.
2. REFERENCE POSITION OF LED.
3. ABSOLUTE TOLERANCES (NON-ACCUMULATIVE).

LTR	EGN NO.	REVISIONS	APP.	DATE
J		RETURNED TO REV "H" AND REVERSED PIN ORIENTATION.	B.C.	11-21-85
I		RESHAPED "WINGS" AND ADDED .005 TYP (REF) & .09 TO SIDE VIEW.	D.C.	10-12-95
H		CUSTOMER REVISED TWO PINS: $\phi .082 \pm .002$ WAS $\phi .079 \pm .002$ ; $\phi .065 \pm .003$ WAS $\phi .068 \pm .003$ ; $\phi .069 \pm .002$ WITHOUT RIBS WAS $\phi .079 \pm .002$ & $\phi .068 \pm .003$ .	N.O.	8-31-95
G		ADDED .056, .015/.010, $\phi .068$ , $\phi .037$ /.007 (MINOR), .022, .430, $\phi .150 \pm .005$ , .200 $\pm .005$ , & .063; ADDED $\pm .005$ TO DIMS .275 & .225; .079 $\pm .005$ WAS .083; .197 $\pm .005$ WAS .201; ADDED $\pm .002$ TO $\phi .079$ & ADDED NOTE 3.	M.C.	8-17-95

SCALE/DRAWN		DATE	CUSTOMER DRAWING NO.	DWG. REV.
4:1	MC	9-30-92	C-15696	J
TOLERANCES: UNLESS OTHERWISE SPECIFIED				
ALL DIM'S IN. INCHES				
FRACTIONS: $\pm 1/64$				
DECIMALS(.XX) $\pm .01$				
DECIMALS(.XXX) $\pm .007$				
ANGLES $\pm 3^\circ$				
FINISH:				
FSCM		83330	DIALIGHT CORPORATION	
			1913 Atlantic Ave.	
			Manasquan, NJ 08736	