



Chipsmall Limited consists of a professional team with an average of over 10 year of expertise in the distribution of electronic components. Based in Hongkong, we have already established firm and mutual-benefit business relationships with customers from,Europe,America and south Asia,supplying obsolete and hard-to-find components to meet their specific needs.

With the principle of “Quality Parts,Customers Priority,Honest Operation,and Considerate Service”,our business mainly focus on the distribution of electronic components. Line cards we deal with include Microchip,ALPS,ROHM,Xilinx,Pulse,ON,Everlight and Freescale. Main products comprise IC,Modules,Potentiometer,IC Socket,Relay,Connector.Our parts cover such applications as commercial,industrial, and automotives areas.

We are looking forward to setting up business relationship with you and hope to provide you with the best service and solution. Let us make a better world for our industry!



## Contact us

Tel: +86-755-8981 8866 Fax: +86-755-8427 6832

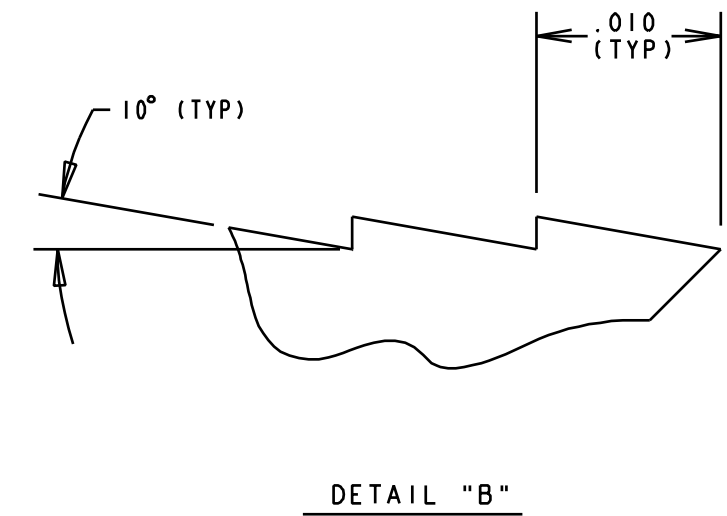
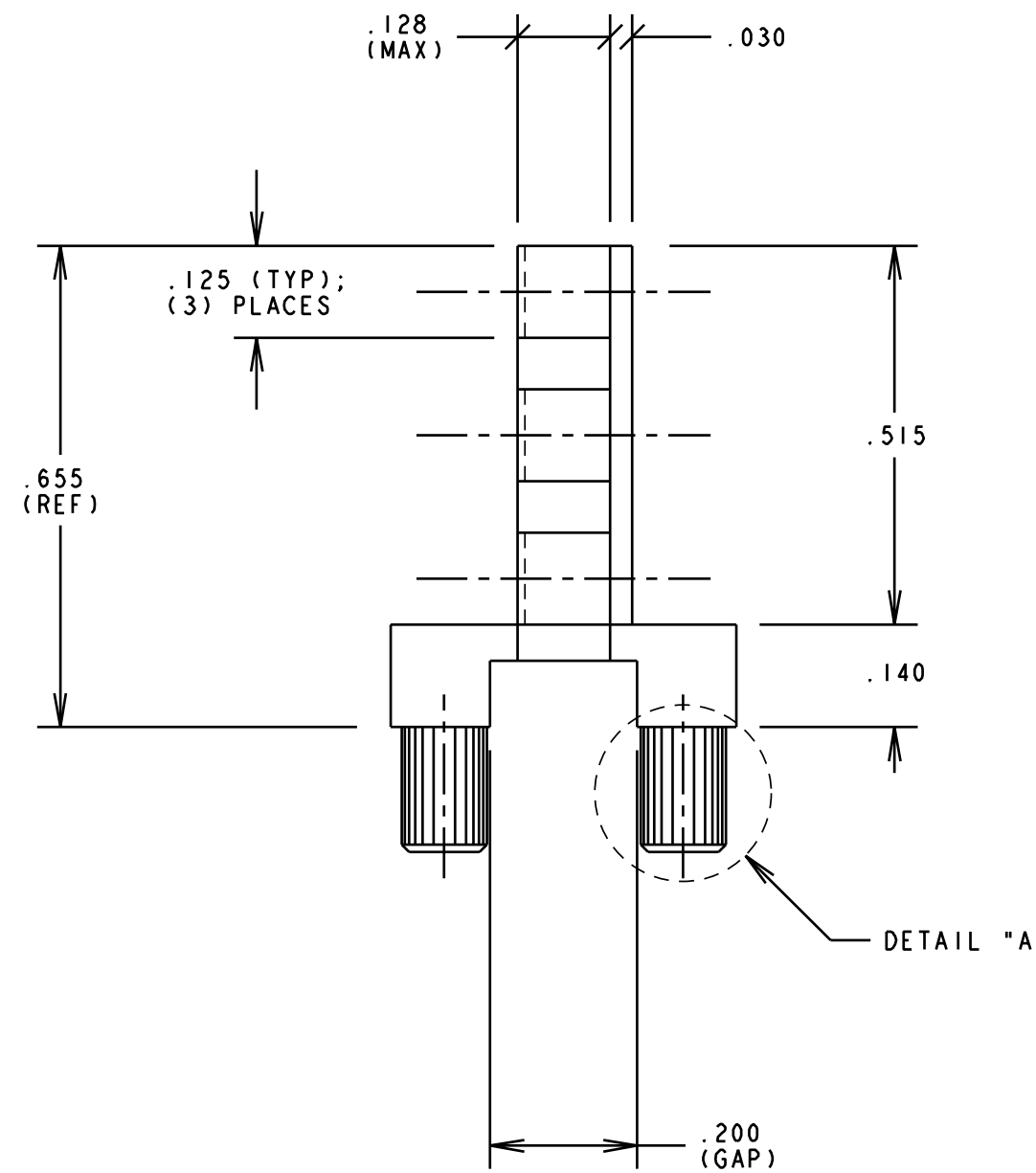
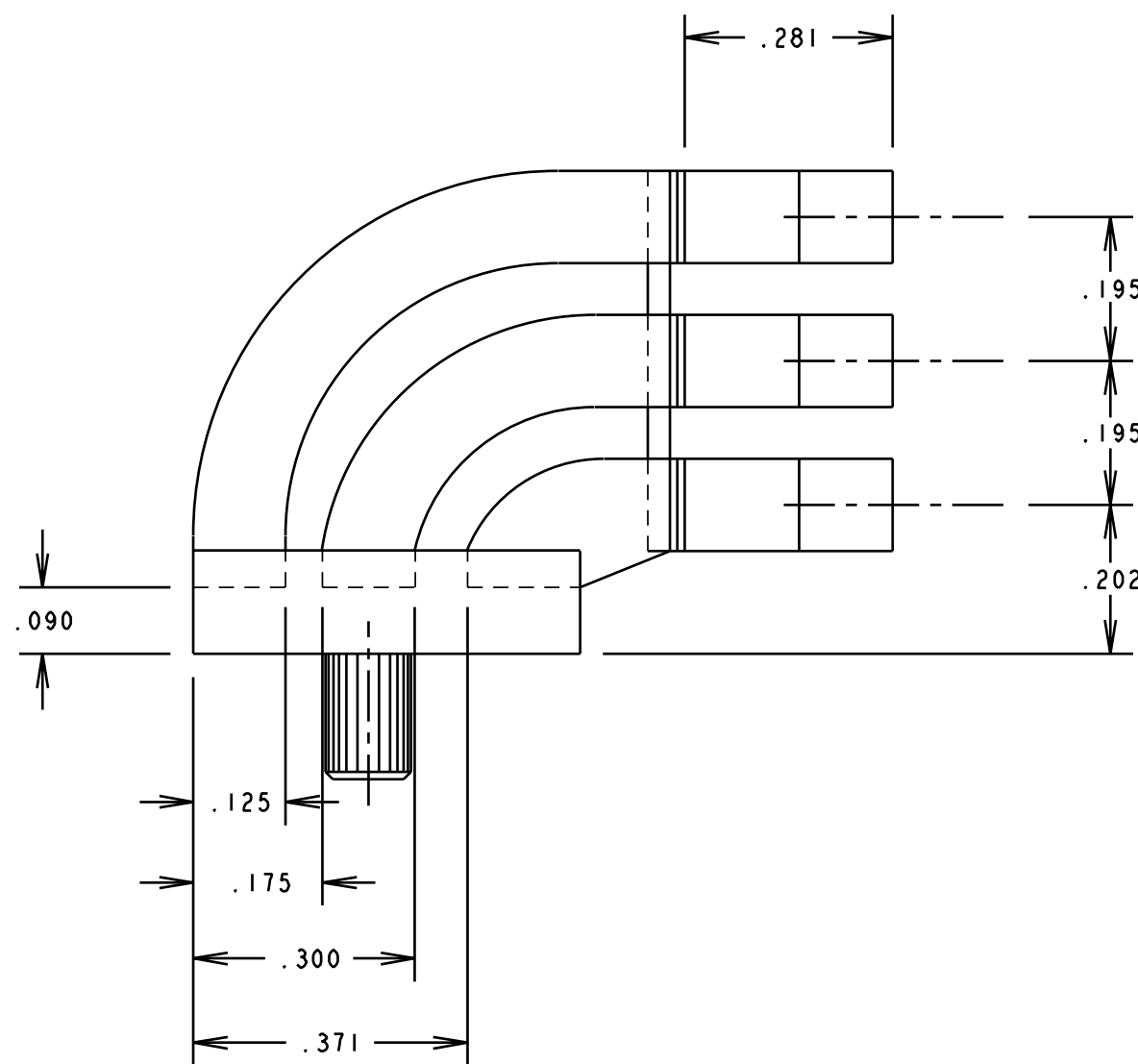
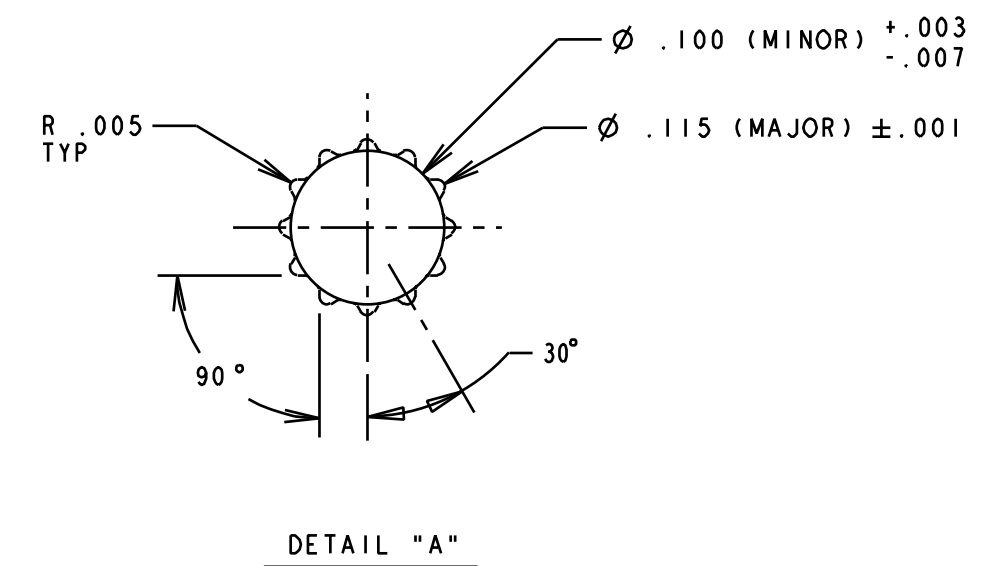
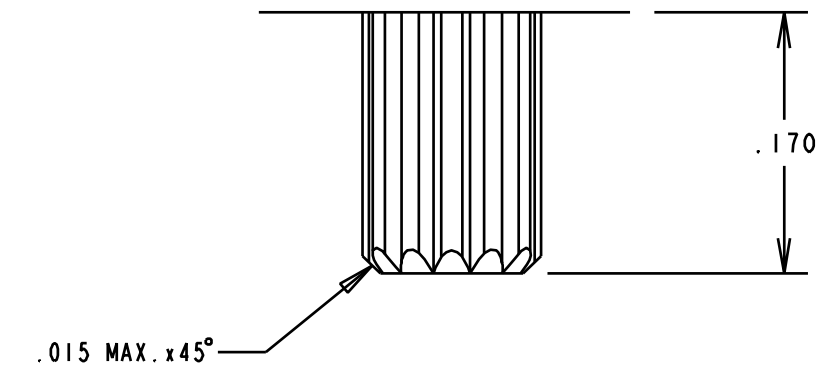
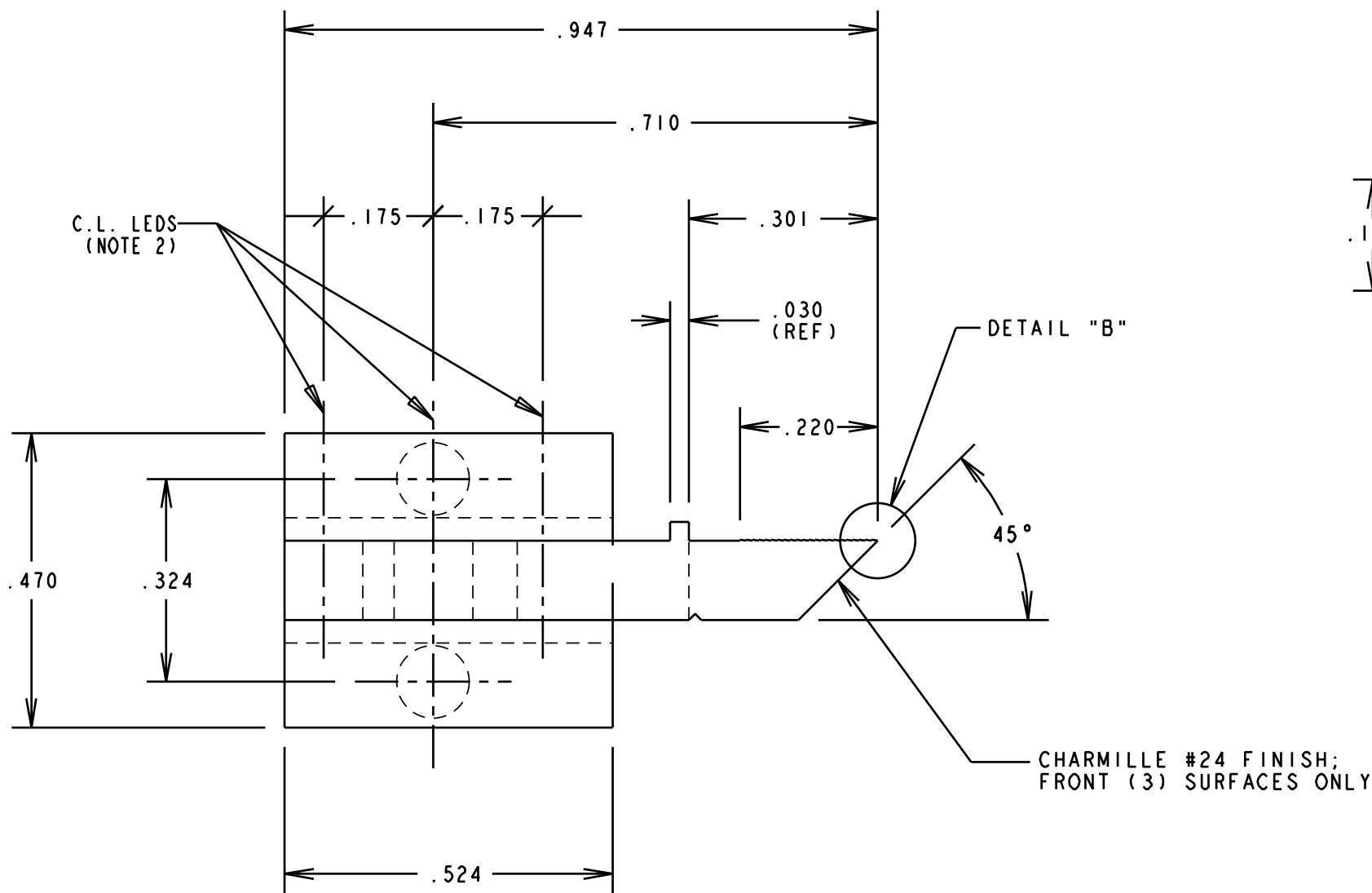
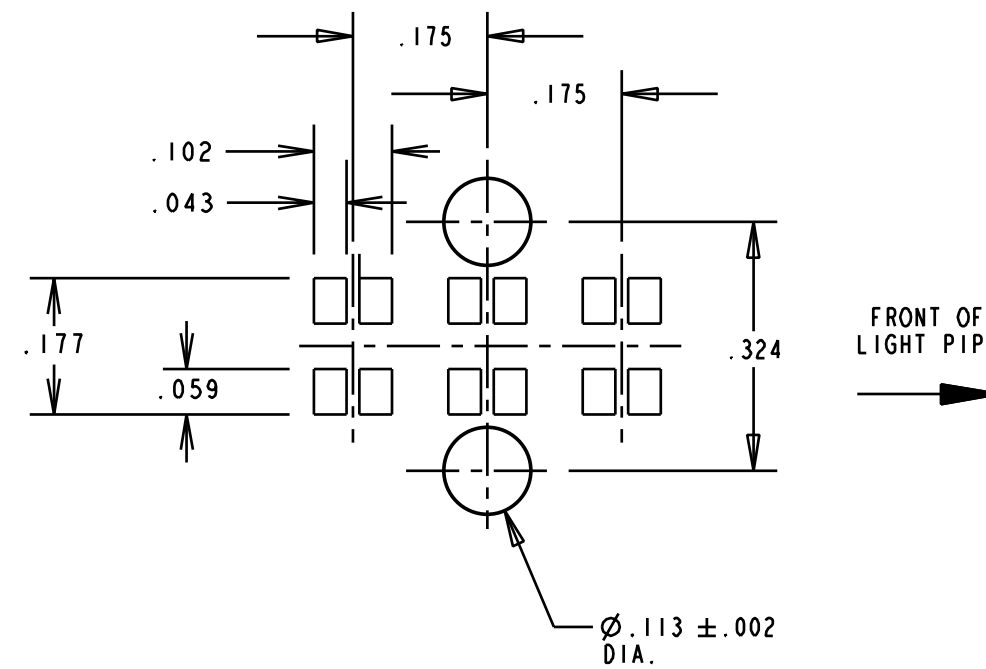
Email & Skype: info@chipsmall.com Web: www.chipsmall.com

Address: A1208, Overseas Decoration Building, #122 Zhenhua RD., Futian, Shenzhen, China



REV.	ECN NO.	REVISIONS	DRN.	CKD.	APP.	DATE
A		NEW RELEASE	MC		NS	11-23-92
B		INCREASE OUTER RADIUS TO .495.	MC		NS	11-23-92
C		.030 SOR. RIB WAS .050, .281 WAS .276, .090 WAS .095, & ADJUSTED ISO VIEW.	MC		NS	11-23-92
D		ADDED DETAIL "B", ADDED DIM .220 ADDED "(REF)" TO DIM .030, DIM .128 (MAX) WAS .126, AND DELETED ISO VIEW.	MC		MC	11-23-92
E		REVISED NOTE 3; ADDED SOLDER PAD LAYOUT FOR BI-COLOR LEDS; ADDED NOTE 4.	TC			

RECOMMENDED SOLDER PAD LAYOUT FOR BI-COLOR LEDS



NOTES:

1. COMPONENT TO BE MOLDED IN A WATER CLEAR TRANSMISSIVE POLYCARBONATE.
2. RECOMMENDED PLACEMENT OF LED.
3. COMPONENT DESIGNED TO BE USED WITH LED PART NO. 597-7701-207R/G BI-COLOR, OR 597-7721-207 Y/G BI-COLOR AND 597-3XXX-207 SINGLE COLOR LEDS.
4. DIALIGHT PART NUMBER: 515-1009

THIS DRAWING AND THE CONTENTS HEREIN ARE CONFIDENTIAL AND THE SOLE PROPERTY OF DIALIGHT. REPRODUCTION OF THIS DRAWING OR CONSTRUCTION OF ANY PARTS WITHIN THIS DRAWING ARE FORBIDDEN WITHOUT THE WRITTEN CONSENT OF DIALIGHT.		
SCALE 4:1	DRAWING NUMBER	REV
ALL DIM'S IN: INCHES	C-15749	E
TOLERANCES: UNLESS OTHERWISE SPECIFIED	TITLE TRILEVEL LIGHTPIPE	
FRACTIONS: ±1/64	MATERIAL	
DECIMALS (.XX): ±.01	Dialight	
DECIMALS (.XXX): ±.005	1501 ROUTE 34 SOUTH FARMINGDALE, NJ 07727	
ANGLES: ±1°	FSCM 83330	SHEET OF FAMILY TABLES:
FINISH:		