



Chipsmall Limited consists of a professional team with an average of over 10 year of expertise in the distribution of electronic components. Based in Hongkong, we have already established firm and mutual-benefit business relationships with customers from,Europe,America and south Asia,supplying obsolete and hard-to-find components to meet their specific needs.

With the principle of “Quality Parts,Customers Priority,Honest Operation,and Considerate Service”,our business mainly focus on the distribution of electronic components. Line cards we deal with include Microchip,ALPS,ROHM,Xilinx,Pulse,ON,Everlight and Freescale. Main products comprise IC,Modules,Potentiometer,IC Socket,Relay,Connector.Our parts cover such applications as commercial,industrial, and automotives areas.

We are looking forward to setting up business relationship with you and hope to provide you with the best service and solution. Let us make a better world for our industry!



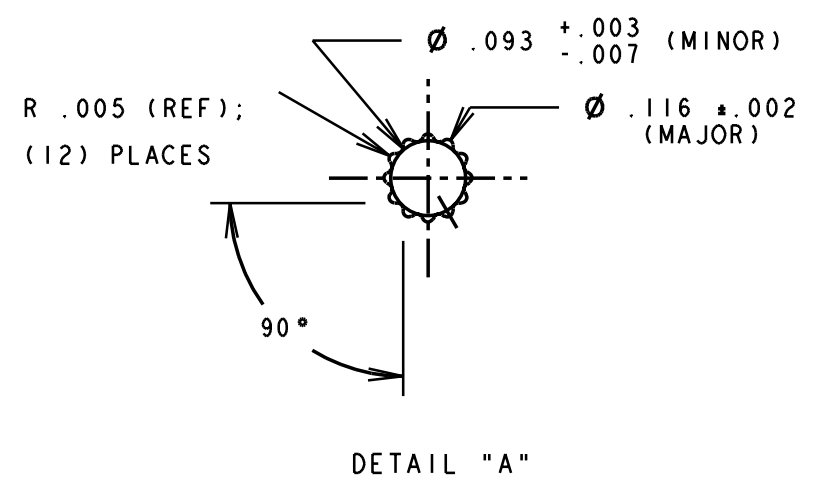
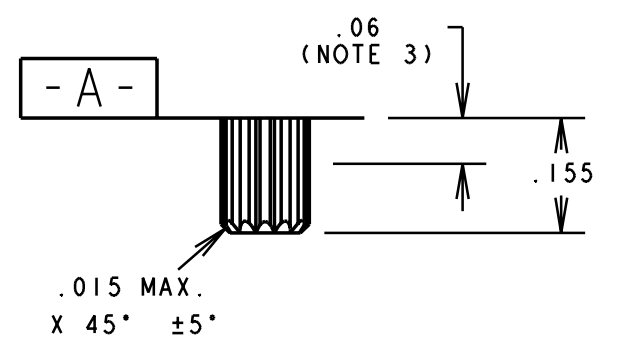
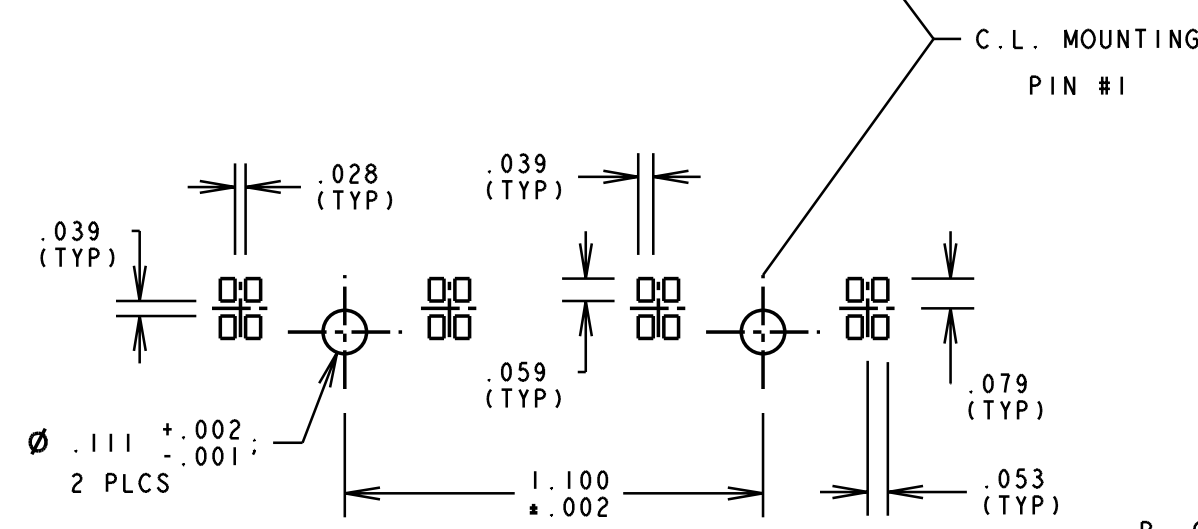
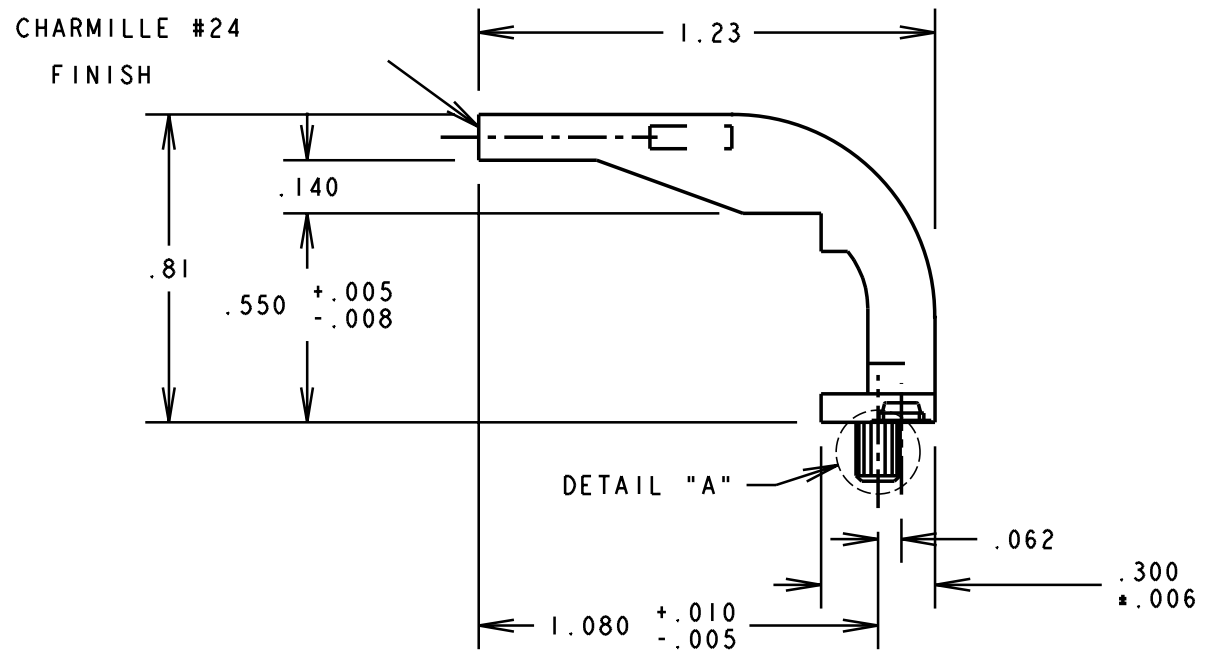
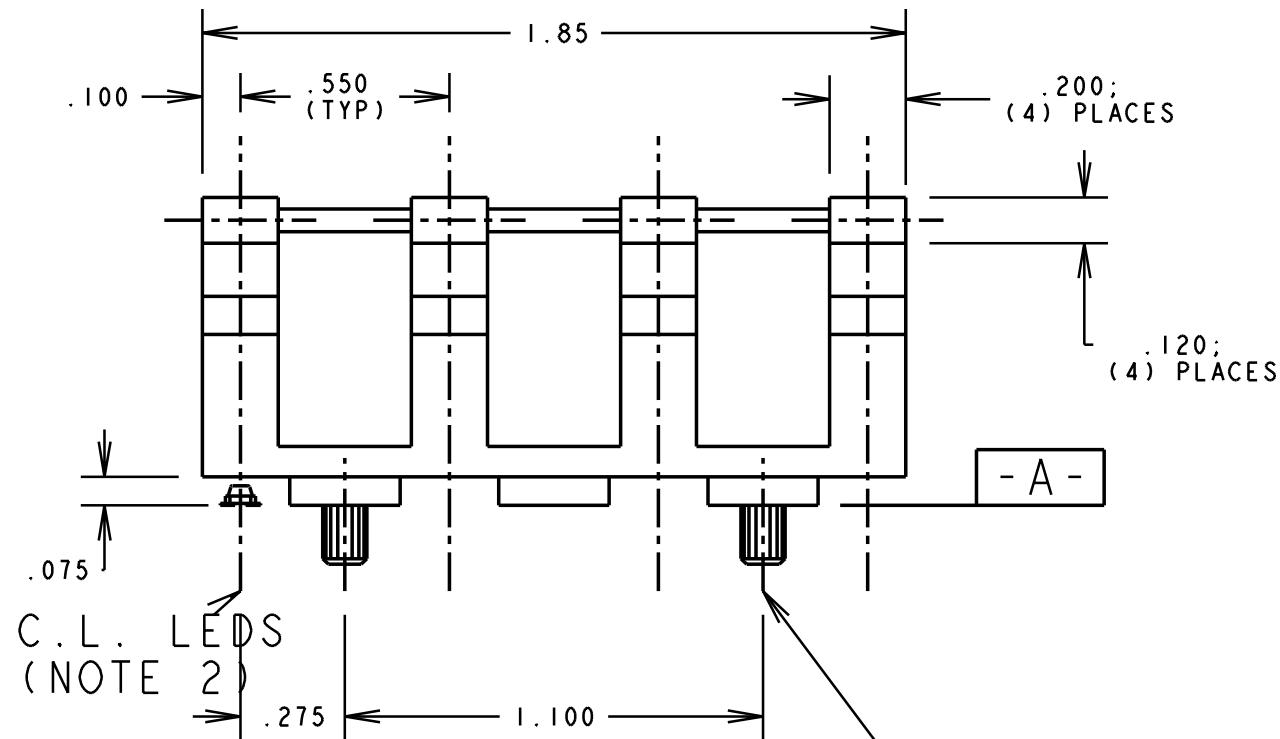
## Contact us

Tel: +86-755-8981 8866 Fax: +86-755-8427 6832

Email & Skype: info@chipsmall.com Web: www.chipsmall.com

Address: A1208, Overseas Decoration Building, #122 Zhenhua RD., Futian, Shenzhen, China





LTR	ECN NO.	REVISIONS	DRN.	APP.	DATE
J		Ø.116 ±.002 WAS Ø.116/.113.	M.C.		
I		ADDED NOTE 3, .060 (NOTE 3), & 1.100 ±.002, AND Ø.116/.113 WAS Ø.116 ±.0010/- .0013.	M.C.	L.R.	7-11-96
H		.550±.005-.008 WAS .550 ±.005.	M.C.	D.C.	10-6-95
G		IN DETAIL "A" Ø.116 ±.001 - .0013 WAS .116 ±.001.	M.C.	N.O.	9-9-94
F		Ø.113±.001 WAS Ø.115±.000-.002.	M.C.	M.C.	3-7-94
E		1.080 ±.010-.005 WAS 1.05 & 1.23 WAS 1.20.	M.C.	M.C.	3-1-94
D		.81 WAS .810.	M.C.	M.C.	2-9-94

SCALE		DRAWN	DATE	CUSTOMER DRAWING NO.	DWG. REV.
2:1		MC	9-21-93	C-15817	J
TOLERANCES: UNLESS OTHERWISE SPECIFIED ALL DIM'S IN: INCHES (MM)					
FRACTIONS: 1/64 DECIMALS(.XX) ± .01 DECIMALS(.XXX) ± .005 ANGLES ± 1°					
FINISH:					
FSCM 83330					
TITLE LIGHTPIPE ARRAY, RJ45					
PART NUMBER 515-1022					
Dialight 1913 Atlantic Ave. Manasquan, NJ 08736					

- NOTES:
- COMPONENT TO BE MOLDED IN A WATER CLEAR TRANSMISSIVE POLYCARBONATE.
  - RECOMMENDED PLACEMENT OF LED.
  - Ø.116 ±.002 TO BE MAINTAINED FROM SURFACE -A- TO .06. MEASURED AT HIGHEST SERRATION.