



Chipsmall Limited consists of a professional team with an average of over 10 year of expertise in the distribution of electronic components. Based in Hongkong, we have already established firm and mutual-benefit business relationships with customers from,Europe,America and south Asia,supplying obsolete and hard-to-find components to meet their specific needs.

With the principle of “Quality Parts,Customers Priority,Honest Operation,and Considerate Service”,our business mainly focus on the distribution of electronic components. Line cards we deal with include Microchip,ALPS,ROHM,Xilinx,Pulse,ON,Everlight and Freescale. Main products comprise IC,Modules,Potentiometer,IC Socket,Relay,Connector.Our parts cover such applications as commercial,industrial, and automotives areas.

We are looking forward to setting up business relationship with you and hope to provide you with the best service and solution. Let us make a better world for our industry!



## Contact us

Tel: +86-755-8981 8866 Fax: +86-755-8427 6832

Email & Skype: info@chipsmall.com Web: www.chipsmall.com

Address: A1208, Overseas Decoration Building, #122 Zhenhua RD., Futian, Shenzhen, China



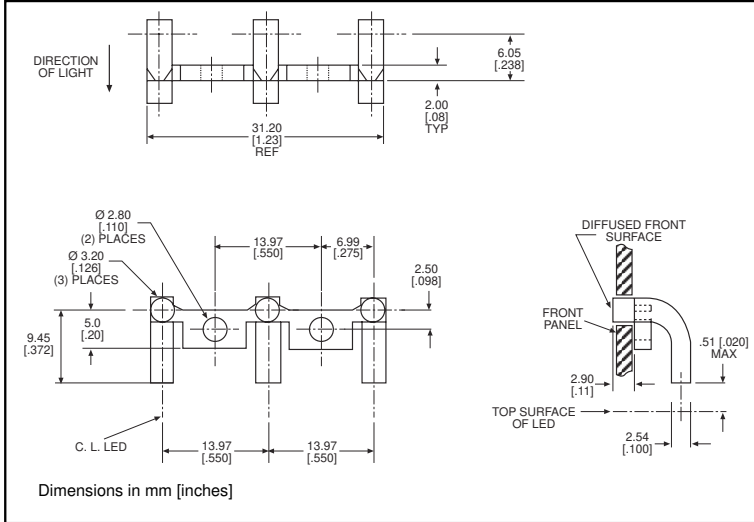


# 3.2mm Round *micro*LED® Optopipe™



## Optical Light Pipe, 3 Array, Panel Mounted

# 515-1031



## Recommended MicroLED SMT LEDs for use with 515-1031

PART NO.	PAGE #
597-3xxx-4xx	1-27 & 1-28
597-3xx1-2xx	1-21
597-3xx1-4xx	1-28
597-3xx1-5xx	1-30
597-5x11-4xx	1-27
597-5x12-4xx	1-26
597-5004-4xx	1-26
597-5202-4xx	1-27
597-52x3-4xx	1-26
597-77x1-2xx	1-23 & 1-24
597-77x1-5xx	1-31

### Features

- High transmissivity polycarbonate material
- UL94V-0 compliance
- ESD protection (circuit isolation from front panel)
- Wide viewing angle
- Arrays reduce insertion costs
- Secures to panel by heat staking

### LED Data

For absolute maximum ratings and other electrical and optical data on the recommended LEDs, refer to LED data sheets.

### Operating/Storage Temperature

-30°C to +100°C

### Dialight Optopipe Light Pipe Description

This Optopipe™ functions as a 3mm array. It is held to the panel by 2 heat stakable pins. Although a wide variety of LED light sources can be used, the recommended light sources are Dialight's 597 Series PLCC-2, PLCC-4, 1206, 1210, 0805, or 0603 Type SMT LEDs. The SMT LEDs are mounted in a straight line under the rear of the part on a 0.550" pitch. The light pipe material is water clear transmissive polycarbonate rated UL94-V0, and has a 35% oxygen index.

Dialight can provide custom Optopipe™ solutions for your applications.