



Chipsmall Limited consists of a professional team with an average of over 10 year of expertise in the distribution of electronic components. Based in Hongkong, we have already established firm and mutual-benefit business relationships with customers from,Europe,America and south Asia,supplying obsolete and hard-to-find components to meet their specific needs.

With the principle of “Quality Parts,Customers Priority,Honest Operation,and Considerate Service”,our business mainly focus on the distribution of electronic components. Line cards we deal with include Microchip,ALPS,ROHM,Xilinx,Pulse,ON,Everlight and Freescale. Main products comprise IC,Modules,Potentiometer,IC Socket,Relay,Connector.Our parts cover such applications as commercial,industrial, and automotives areas.

We are looking forward to setting up business relationship with you and hope to provide you with the best service and solution. Let us make a better world for our industry!



Contact us

Tel: +86-755-8981 8866 Fax: +86-755-8427 6832

Email & Skype: info@chipsmall.com Web: www.chipsmall.com

Address: A1208, Overseas Decoration Building, #122 Zhenhua RD., Futian, Shenzhen, China



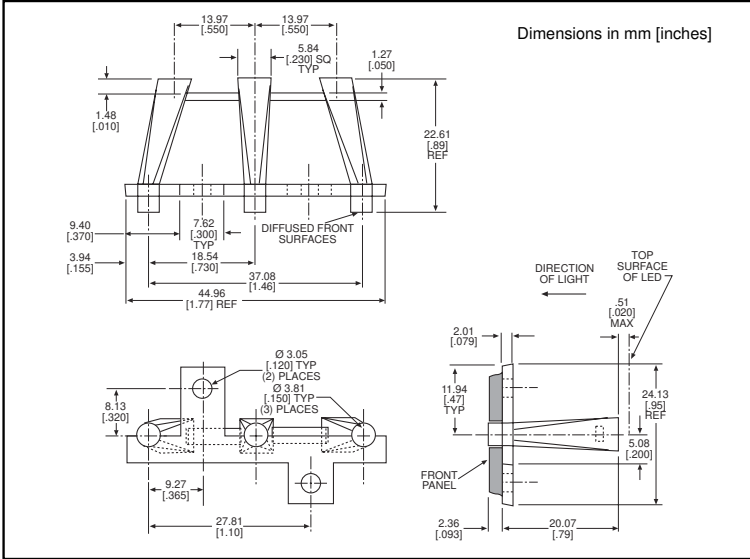


3.8mm Round *microLED*® Optopipe™



Optical Light Pipe, 3 Array, Panel Mounted

515-1034



LEDs for use with 515-1034

<u>Recommended</u>	<u>PAGE #</u>
521-9247	6-44
521-9249	6-44
521-9251	6-44
550-xx10	6-17
550-5504	6-9
550-5505	6-11
550-5507	6-13
550-5508	6-15
550-5604	6-9
550-5605	6-11
550-5607	6-13
550-5608	6-15
550-5704	6-9
550-5705	6-11
550-5707	6-13
550-5708	6-15

<u>Alternatives</u>	<u>PAGE #</u>
521-9430	4-61
521-9431	4-61
521-9432	4-61

LED alternatives may not produce optimum light output

Features

- High transmissivity polycarbonate material
- UL94V-0 compliance
- ESD protection (circuit isolation from front panel)
- Wide viewing angle
- Arrays reduce insertion costs
- Secures to panel by heat staking

LED Data

For absolute maximum ratings and other electrical and optical data on the recommended LEDs, refer to LED data sheets.

Operating/Storage Temperature

-30°C to +100°C

Dialight Optopipe Light Pipe Description

This Optopipe™ is heat staked to the inside of the customer's plastic housing. The light pipe is staked to the case using the tabs at the front of the part. The light pipe is not attached to the PCB at any point but floats in front of it. The rectangular funnel end faces the light source while the tubular sections fit through the plastic panel. The light emitting surface is textured to diffuse the light passing through it. The light source can be any super-bright 2mm, 3mm, or 5mm LED, or one of Dialight's 597 Series SMT LEDs. The light sources are mounted in a straight line facing the rear of the part on an irregular pitch. The light source's emitting surface should be located no more than 0.020" or 0.5mm from the Optopipe™. The light pipe material is water clear transmissive polycarbonate rated UL94-V0, and has a 35% oxygen index.

Dialight can provide custom Optopipe™ solutions for your applications.