



Chipsmall Limited consists of a professional team with an average of over 10 year of expertise in the distribution of electronic components. Based in Hongkong, we have already established firm and mutual-benefit business relationships with customers from,Europe,America and south Asia,supplying obsolete and hard-to-find components to meet their specific needs.

With the principle of “Quality Parts,Customers Priority,Honest Operation,and Considerate Service”,our business mainly focus on the distribution of electronic components. Line cards we deal with include Microchip,ALPS,ROHM,Xilinx,Pulse,ON,Everlight and Freescale. Main products comprise IC,Modules,Potentiometer,IC Socket,Relay,Connector.Our parts cover such applications as commercial,industrial, and automotives areas.

We are looking forward to setting up business relationship with you and hope to provide you with the best service and solution. Let us make a better world for our industry!



Contact us

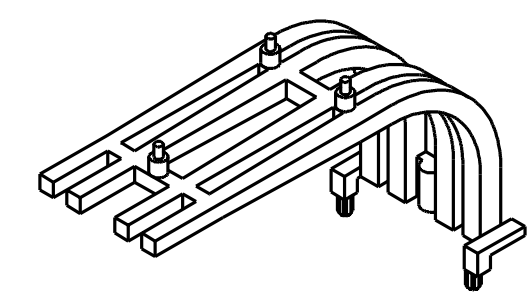
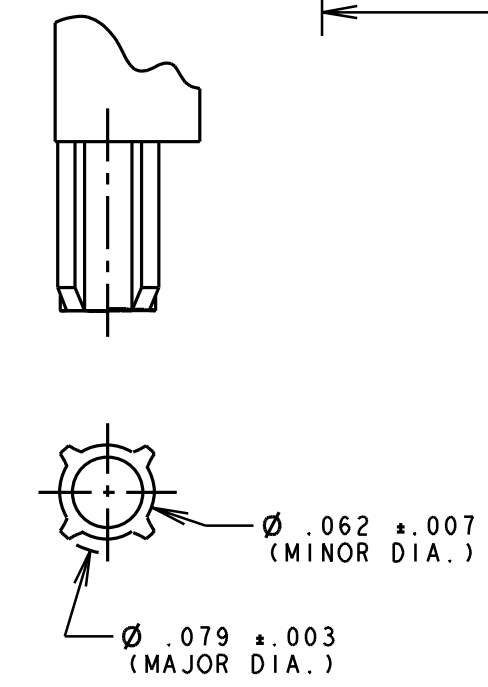
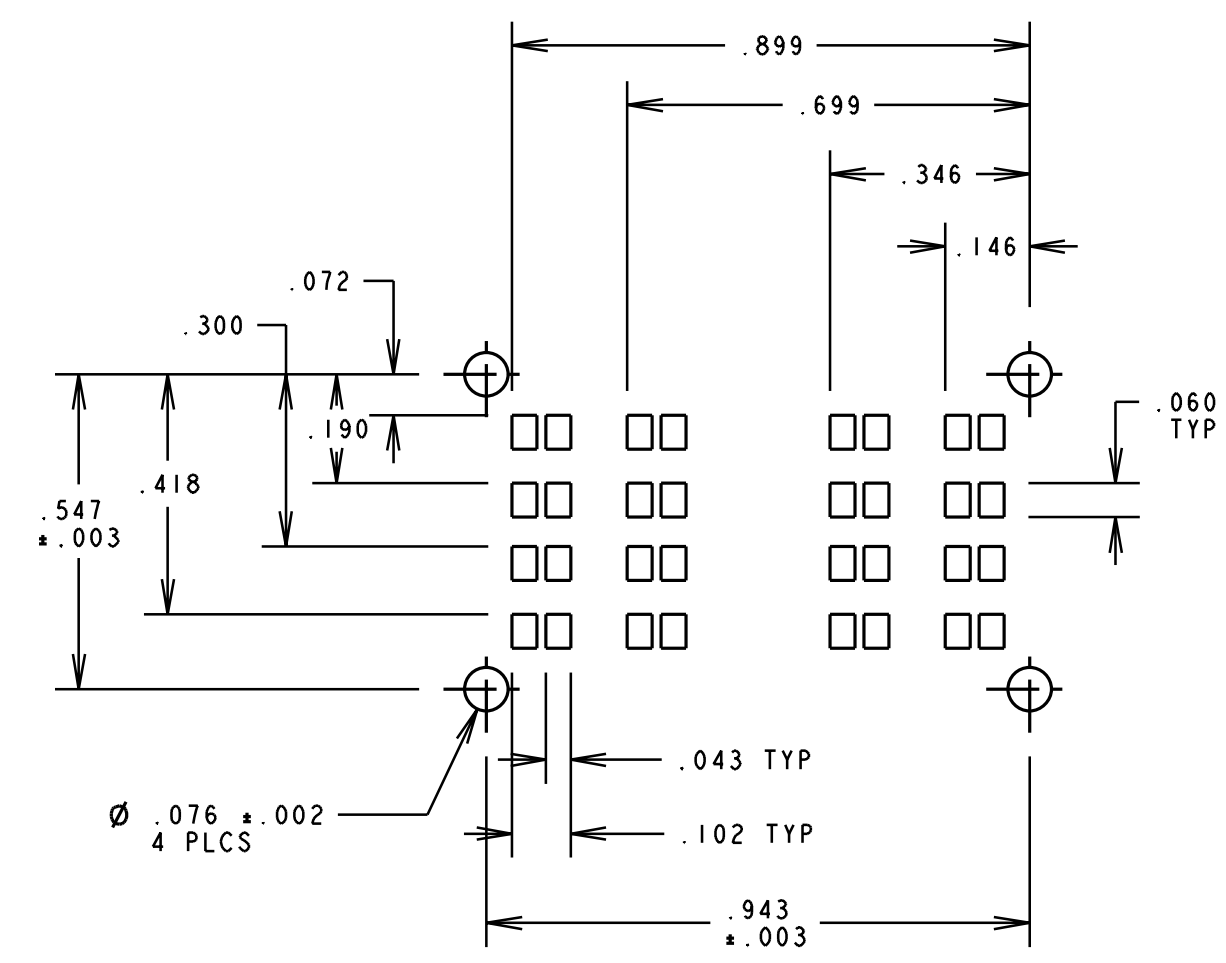
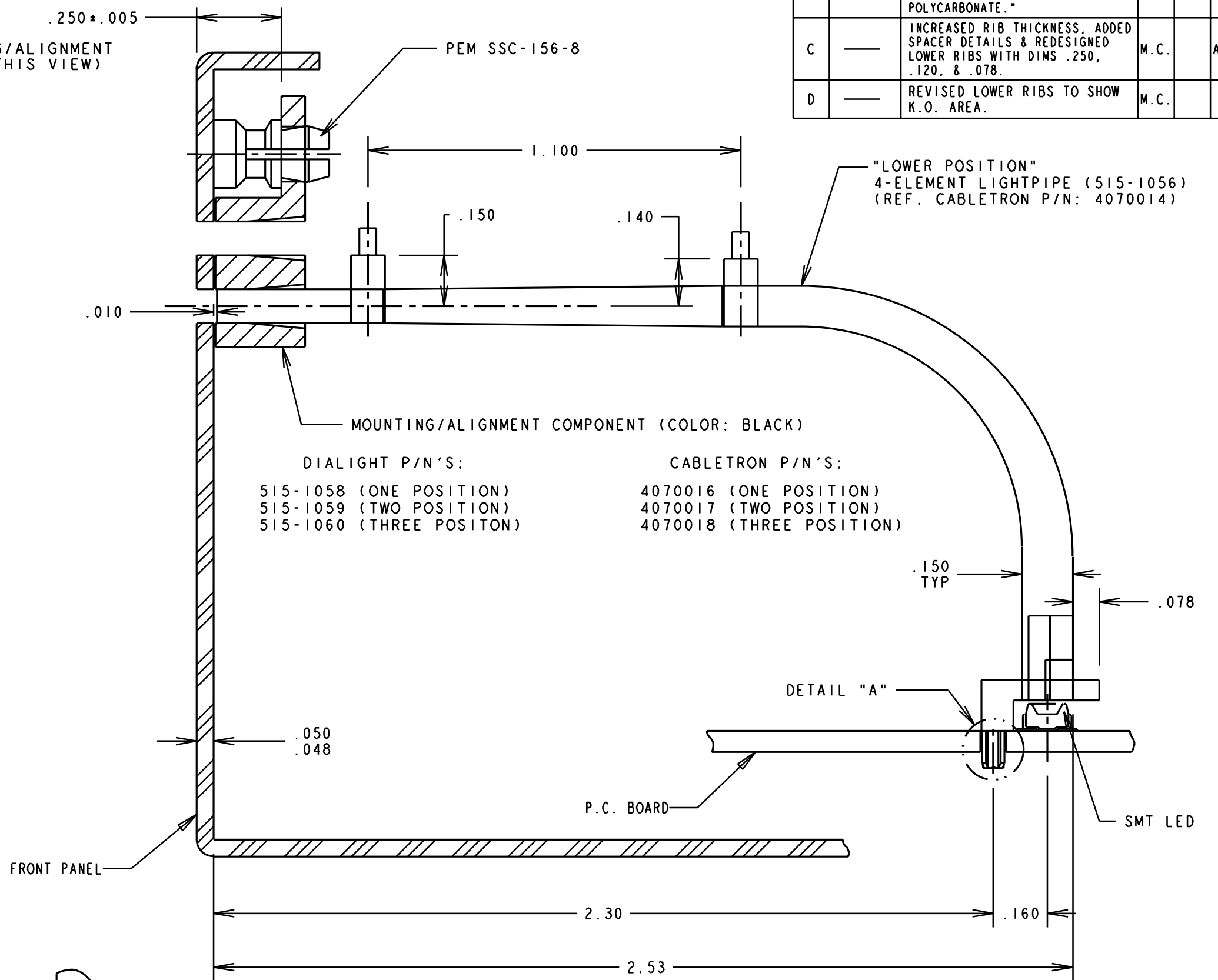
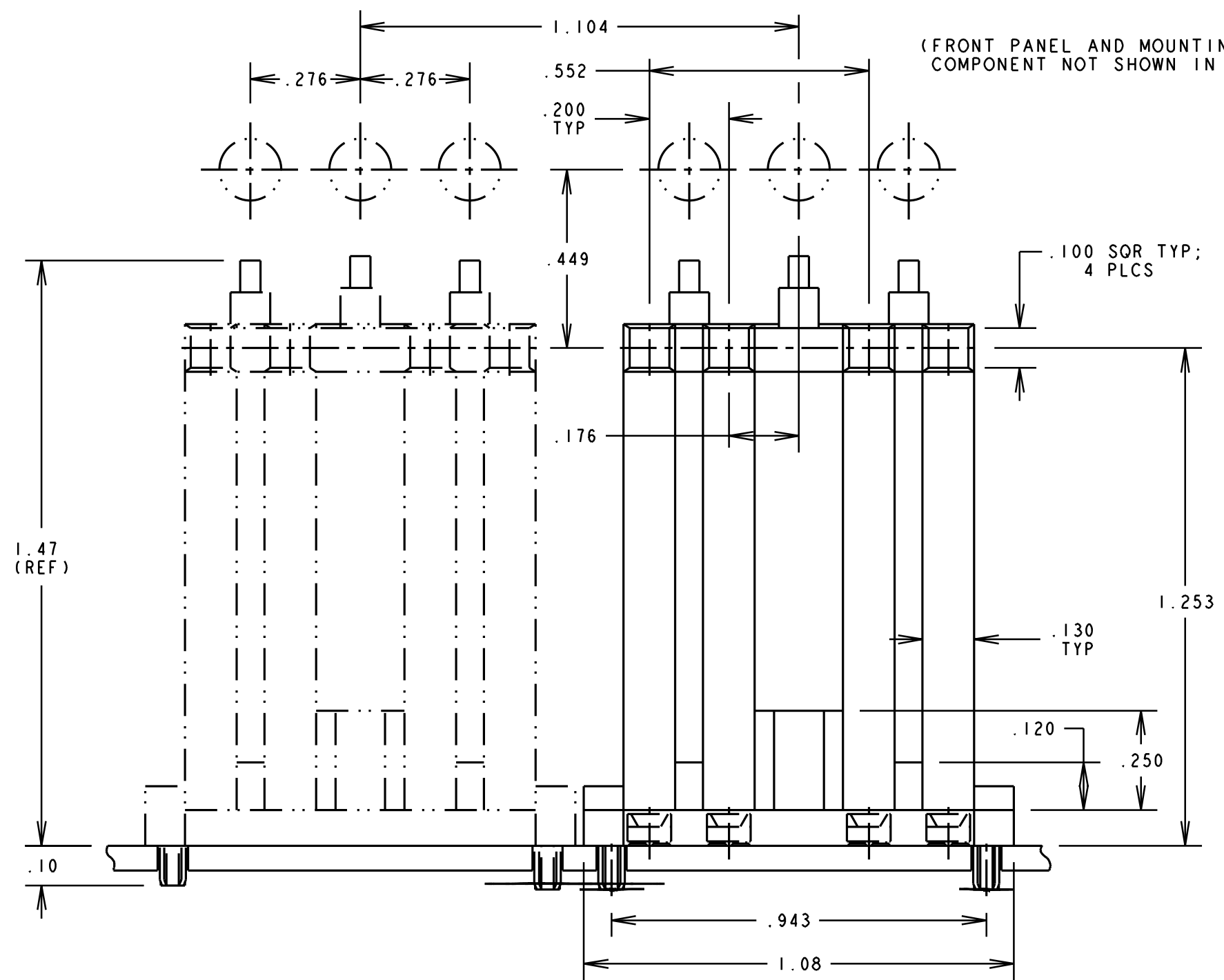
Tel: +86-755-8981 8866 Fax: +86-755-8427 6832

Email & Skype: info@chipsmall.com Web: www.chipsmall.com

Address: A1208, Overseas Decoration Building, #122 Zhenhua RD., Futian, Shenzhen, China



REV.	ECN NO.	REVISIONS	DRN.	CKD.	APP.	DATE
A		NEW RELEASE	M.C.		N.O.	4-21-97
B		ADDED DETAIL "A", DELETED Ø.080 (MOM)... "LEADER NOTE, COLOR: BLACK WAS WHITE, & NOTE 1 READ "... CLEAR TRANSMISSIVE POLYCARBONATE."	M.C.		D.C.	6-13-97
C		INCREASED RIB THICKNESS, ADDED SPACER DETAILS & REDESIGNED LOWER RIBS WITH DIMS .250, .120, & .078.	M.C.		A.V.	7-16-97
D		REVISED LOWER RIBS TO SHOW K.O. AREA.	M.C.			



- NOTES:
1. LIGHTPIPE COMPONENT TO BE MOLDED IN A CLEAR TRANSMISSIVE POLYCARBONATE WITH UL FLAMMIBILITY RATING OF 94V-0.
 2. COMPONENT DESIGNED TO BE CONNECTED TO 515-1057 COMPONENT BY MEANS OF A FRICTION FIT, THEN PRESSED INTO P.C. BOARD TOGETHER.
 3. DIALIGHT PART NUMBER: 515-1056

THIS DRAWING AND THE CONTENTS HEREIN ARE CONFIDENTIAL AND THE SOLE PROPERTY OF DIALIGHT. REPRODUCTION OF THIS DRAWING OR CONSTRUCTION OF ANY PARTS WITHIN THIS DRAWING ARE FORBIDDEN WITHOUT THE WRITTEN CONSENT OF DIALIGHT.		
SCALE 3:1	DRAWING NUMBER	REV
ALL DIM'S IN: INCHES	C-16172	D
TOLERANCES: UNLESS OTHERWISE SPECIFIED	TITLE 4-ELEMENT "LOWER" POSITION LIGHTPIPE	
FRACTIONS: ±1/64	MATERIAL	
DECIMALS (.XX): ±.02	Dialight 1913 ATLANTIC AVE. MANASQUAN, N.J. 08736	
DECIMALS (.XXX): ±.015	FSCM 83330	
ANGLES: ±1°	SHEET OF FAMILY TABLES:	
FINISH:		