



Chipsmall Limited consists of a professional team with an average of over 10 year of expertise in the distribution of electronic components. Based in Hongkong, we have already established firm and mutual-benefit business relationships with customers from,Europe,America and south Asia,supplying obsolete and hard-to-find components to meet their specific needs.

With the principle of “Quality Parts,Customers Priority,Honest Operation,and Considerate Service”,our business mainly focus on the distribution of electronic components. Line cards we deal with include Microchip,ALPS,ROHM,Xilinx,Pulse,ON,Everlight and Freescale. Main products comprise IC,Modules,Potentiometer,IC Socket,Relay,Connector.Our parts cover such applications as commercial,industrial, and automotives areas.

We are looking forward to setting up business relationship with you and hope to provide you with the best service and solution. Let us make a better world for our industry!



Contact us

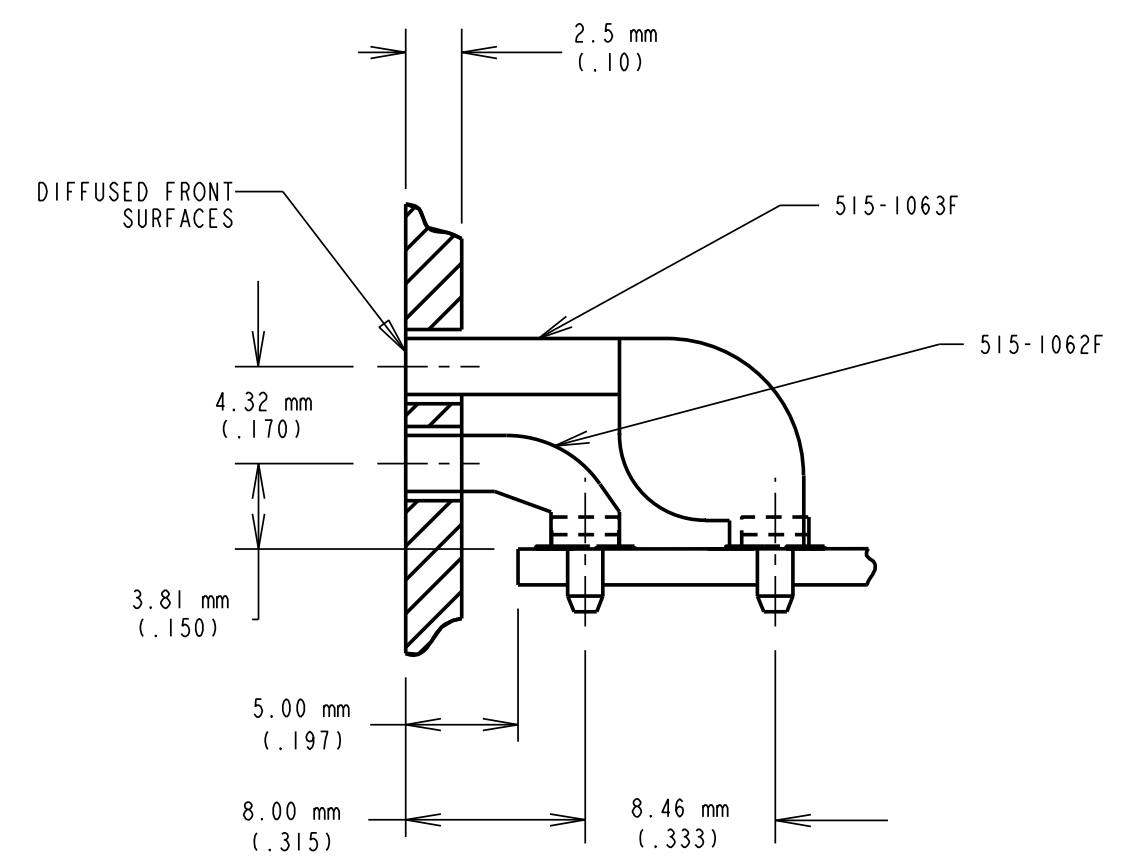
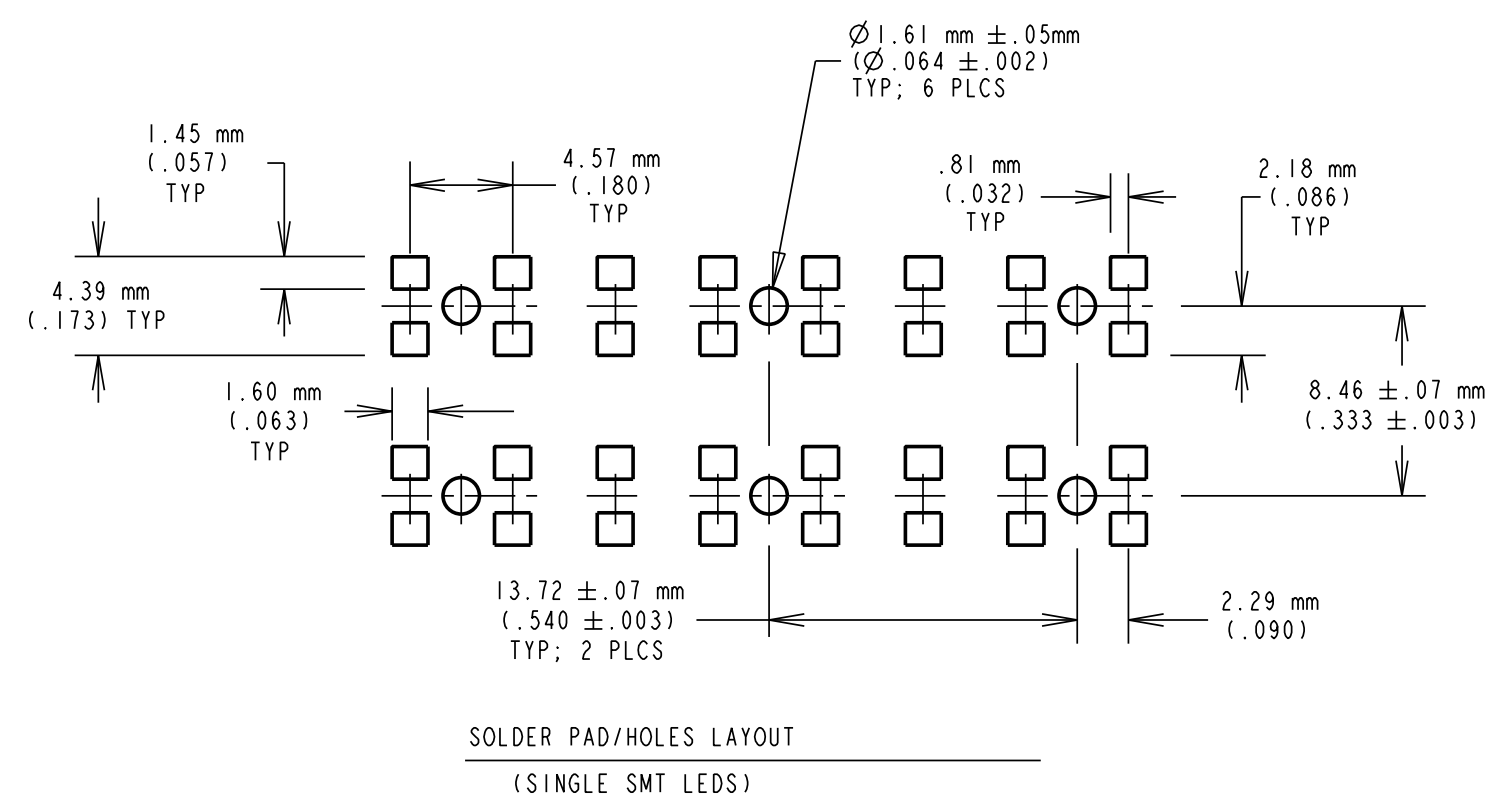
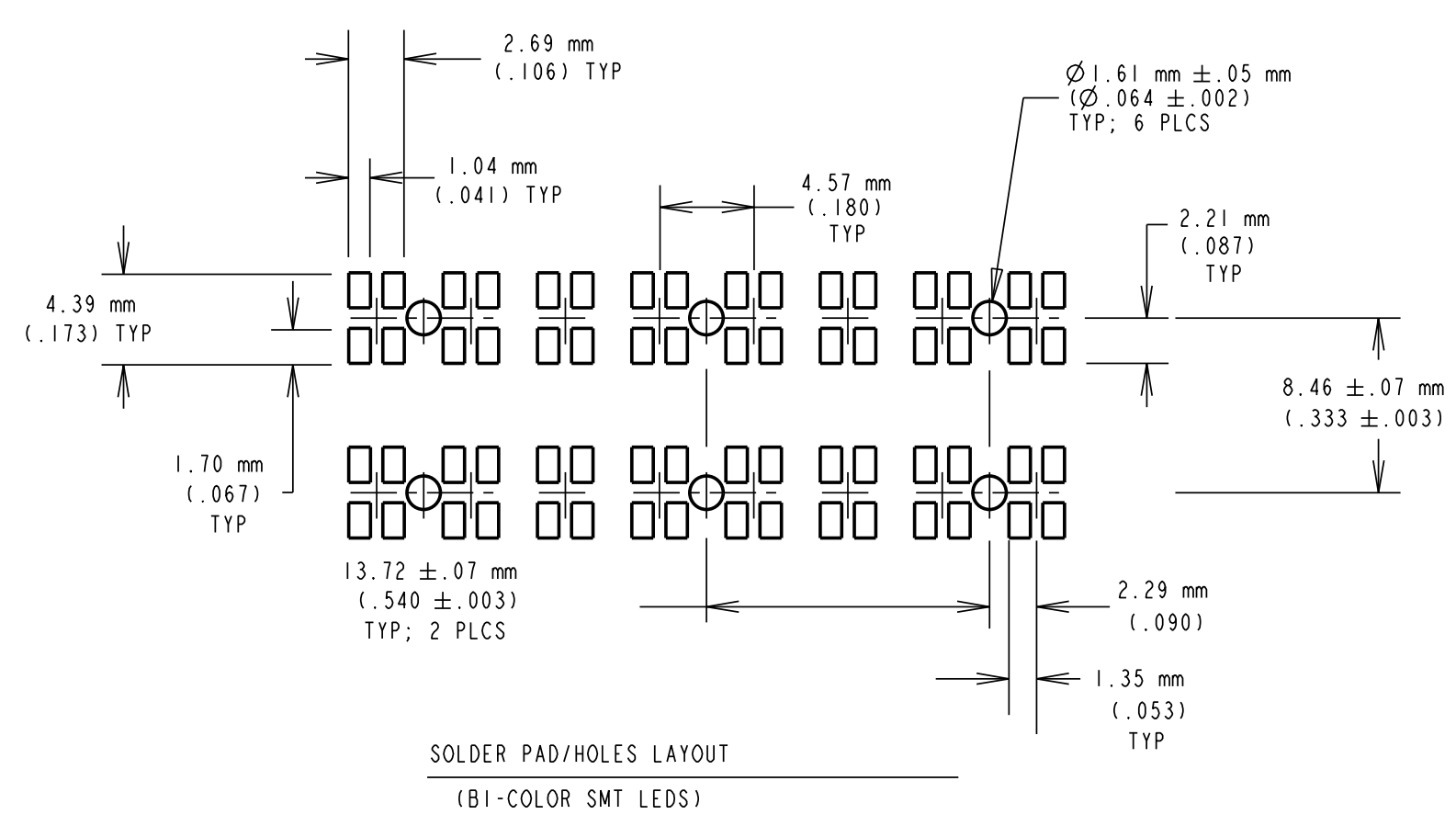
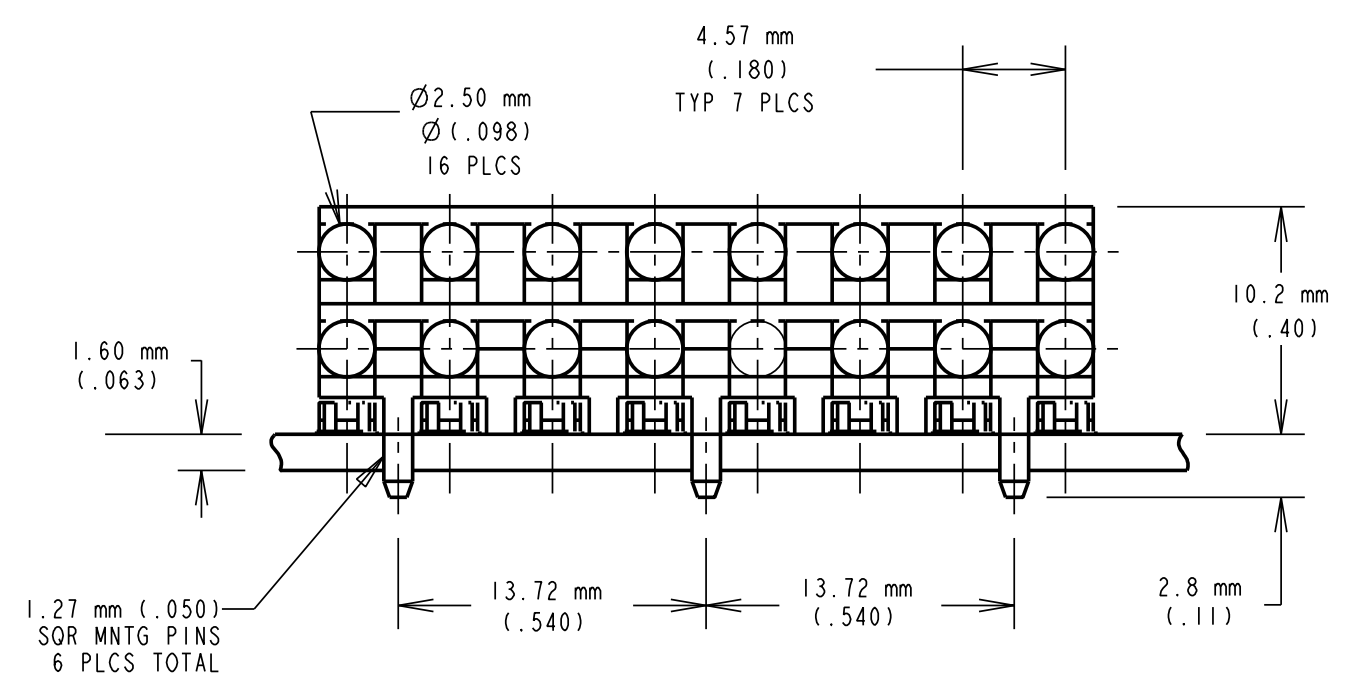
Tel: +86-755-8981 8866 Fax: +86-755-8427 6832

Email & Skype: info@chipsmall.com Web: www.chipsmall.com

Address: A1208, Overseas Decoration Building, #122 Zhenhua RD., Futian, Shenzhen, China



REV	ECN NO	REVISIONS	DRN	CKD	APP	DATE
A	—	NEW RELEASE	M.C.	—	N.O.	4-17-97
B	—	ADDED SOLDER PAD/HOLES LAY-OUT FOR SINGLE COLOR LEDS.	M.C.	—	D.C.	7-25-97
C	—	RIB WAS ON RIGHT SIDE.	M.C.	D.C.	A.V.	2-16-99
D	—	Ø 1.61mm (Ø .064) WAS 1.70mm (Ø .067), ADDED NOTE 4, AND 40.1mm (1.58) (REF) WAS 39.1mm (1.54).	M.C.	D.C.	N.O.	4-11-04
E	—	REMOVED P/N 515-1064, ADDED UL 94V-0 FLAMMABILITY SPEC, ADDED RoHS COMPLIANT NOTE, CHANGED P/N'S TO "F" SUFFIX ENDING P/N'S.	KLJ	—	—	—



- NOTES:
- COMPONENTS TO BE MOLDED IN A CLEAR TRANSMISSIVE POLYCARBONATE (UL 94V-0 FLAMMABILITY CLASS).
 - COMPONENTS DESIGNED TO BE PRESSED INTO P.C. BOARD.
 - RECOMMENDED LIGHT SOURCES: SINGLE OR BI-COLOR SMT LEDS (DIALIGHT SERIES P/N'S: 597-7XXX-507 OR 597-3XXX-507).
 - DIALIGHT LIGHT PIPE PART NUMBERS: 515-1062F & 515-1063F.

RoHS Compliant 515-1062F & 515-1063F

Part Numbers with the "F" suffix ending are RoHS Compliant. The bag packaging is marked with "RoHS Compliant" label or equivalent markings.

THIS DRAWING AND THE CONTENTS HEREIN ARE CONFIDENTIAL AND THE SOLE PROPERTY OF DIALIGHT. REPRODUCTION OF THIS DRAWING OR CONSTRUCTION OF ANY PARTS WITHIN THIS DRAWING ARE FORBIDDEN WITHOUT THE WRITTEN CONSENT OF DIALIGHT.		
SCALE: DRAWING SCALE	DRAWING NUMBER	REV
ALL DIM'S IN: MM (INCHES)	C-16181	E
TOLERANCES: UNLESS OTHERWISE SPECIFIED	TITLE MULTI-ELEMENT LIGHT PIPES (RoHS COMPLIANT)	
FRACTIONS: ±1/64	MATERIAL	
DECIMALS (.XX): ±.02	Dialight 1501 ROUTE 34 SOUTH FARMINGDALE, NJ 07727	
DECIMALS (.XXX): ±.015	FSCM 83330	
DECIMALS (.XXXX): ±.0005	SHEET 1 OF 1 FAMILY TABLE:	
ANGLES: ±3°		