



Chipsmall Limited consists of a professional team with an average of over 10 year of expertise in the distribution of electronic components. Based in Hongkong, we have already established firm and mutual-benefit business relationships with customers from,Europe,America and south Asia,supplying obsolete and hard-to-find components to meet their specific needs.

With the principle of “Quality Parts,Customers Priority,Honest Operation,and Considerate Service”,our business mainly focus on the distribution of electronic components. Line cards we deal with include Microchip,ALPS,ROHM,Xilinx,Pulse,ON,Everlight and Freescale. Main products comprise IC,Modules,Potentiometer,IC Socket,Relay,Connector.Our parts cover such applications as commercial,industrial, and automotives areas.

We are looking forward to setting up business relationship with you and hope to provide you with the best service and solution. Let us make a better world for our industry!



## Contact us

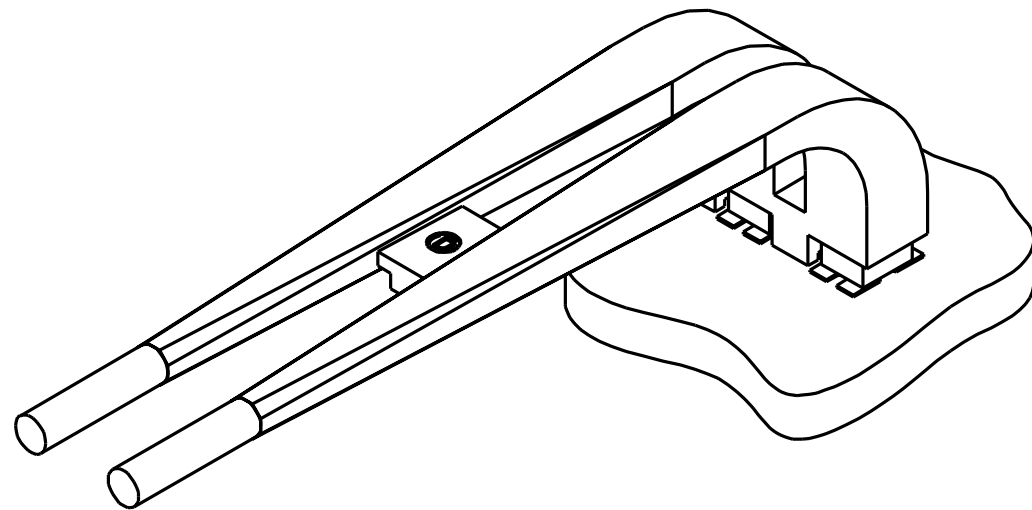
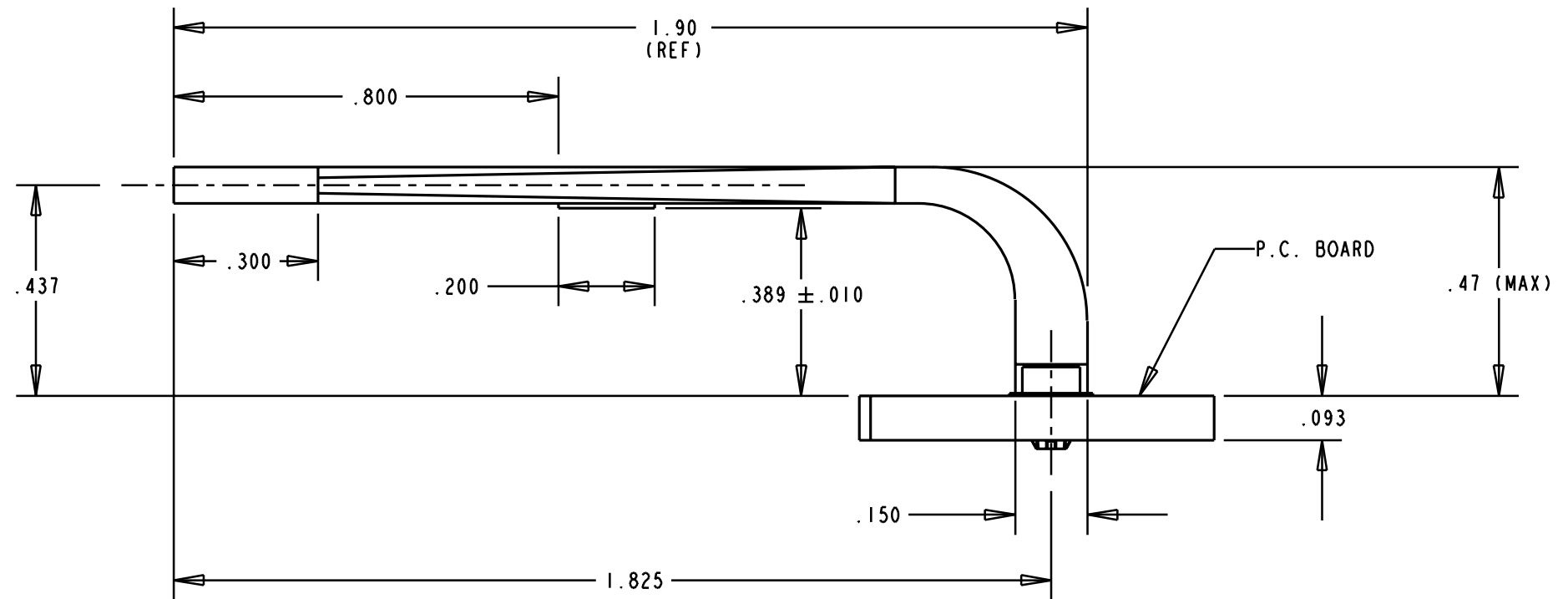
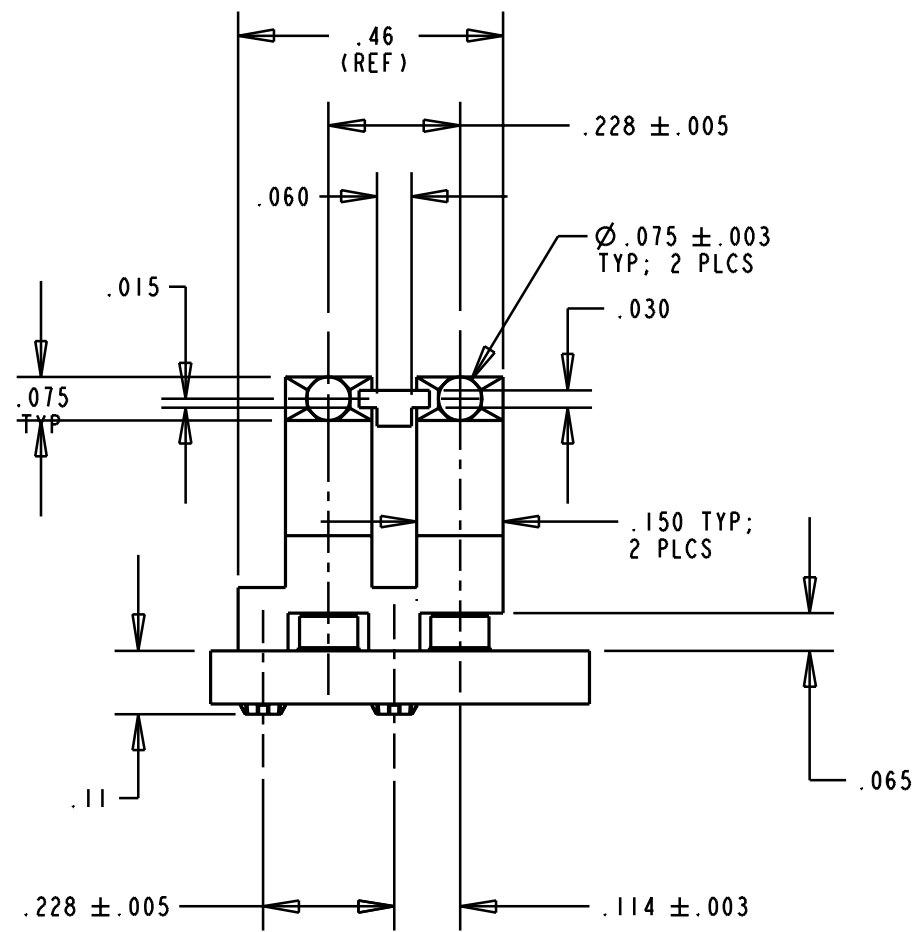
Tel: +86-755-8981 8866 Fax: +86-755-8427 6832

Email & Skype: info@chipsmall.com Web: www.chipsmall.com

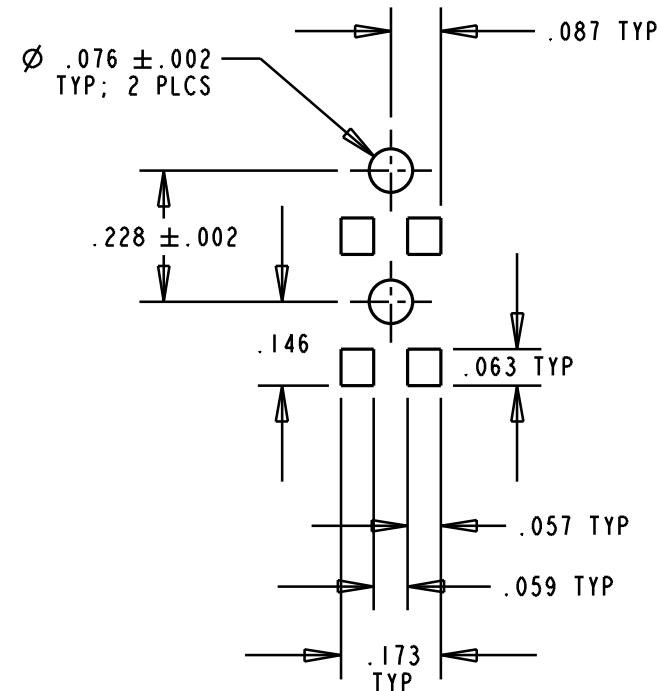
Address: A1208, Overseas Decoration Building, #122 Zhenhua RD., Futian, Shenzhen, China



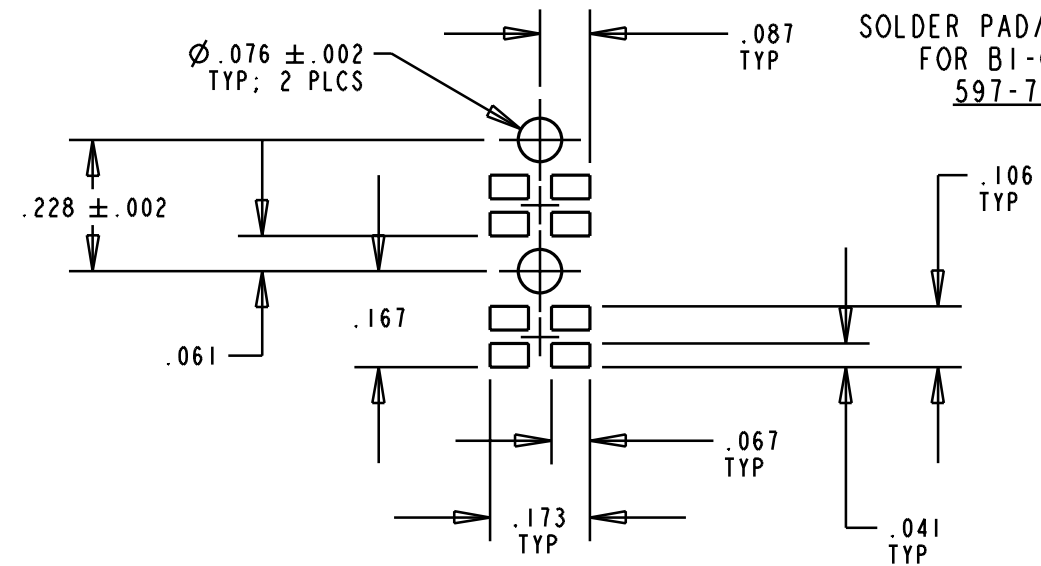
REV.	ECN NO.	REVISIONS	DRN.	CKD.	APP.	DATE
A		NEW RELEASE	MC	AV	N.O.	6-18-98
B		ADDED SINGLE COLOR LED PAD/HOLES LAYOUT AND DEFINED EXISTING PAD LAYOUT FOR BI-COLOR LED; REVISED NOTE 3 AND ADDED NOTE 4.	TC			



SOLDER PAD/HOLES LAYOUT  
SINGLE COLOR LED  
597-3X11-5XX



SOLDER PAD/HOLES LAYOUT  
FOR BI-COLOR LED  
597-77XX-507



- NOTES:
- COMPONENT TO BE MOLDED IN A CLEAR TRANSMISSIVE POLYCARBONATE.
  - COMPONENT DESIGNED TO BE PRESSED INTO P.C. BOARD.
  - LIGHTSOURCE: RED/GREEN SMT BICOLOR LED (DIALIGHT P/N: 597-7701-5XX, Y/G 597-7721-507 OR SINGLE COLOR 597-3XXX-5XX).
  - DIALIGHT PART NUMBER: 515-1090.

THIS DRAWING AND THE CONTENTS HEREIN ARE CONFIDENTIAL AND THE SOLE PROPERTY OF DIALIGHT. REPRODUCTION OF THIS DRAWING OR CONSTRUCTION OF ANY PARTS WITHIN THIS DRAWING ARE FORBIDDEN WITHOUT THE WRITTEN CONSENT OF DIALIGHT.

SCALE 3:1	DRAWING NUMBER	REV
ALL DIM'S IN: INCHES	C-16388	B
TOLERANCES: UNLESS OTHERWISE SPECIFIED	TITLE 2-ELEMENT LIGHTPIPE	
FRACTIONS: $\pm 1/64$	MATERIAL	
DECIMALS (.XX): $\pm .02$	Dialight	
DECIMALS (.XXX): $\pm .015$	1913 ATLANTIC AVE. MANASQUAN, N.J. 08736	
DECIMALS (.XXXX): $\pm .0005$	SHEET OF FAMILY TABLE:	
ANGLES: $\pm 1^\circ$	FSCM 83330	