



Chipsmall Limited consists of a professional team with an average of over 10 year of expertise in the distribution of electronic components. Based in Hongkong, we have already established firm and mutual-benefit business relationships with customers from,Europe,America and south Asia,supplying obsolete and hard-to-find components to meet their specific needs.

With the principle of "Quality Parts,Customers Priority,Honest Operation,and Considerate Service",our business mainly focus on the distribution of electronic components. Line cards we deal with include Microchip,ALPS,ROHM,Xilinx,Pulse,ON,Everlight and Freescale. Main products comprise IC,Modules,Potentiometer,IC Socket,Relay,Connector.Our parts cover such applications as commercial,industrial, and automotives areas.

We are looking forward to setting up business relationship with you and hope to provide you with the best service and solution. Let us make a better world for our industry!



## Contact us

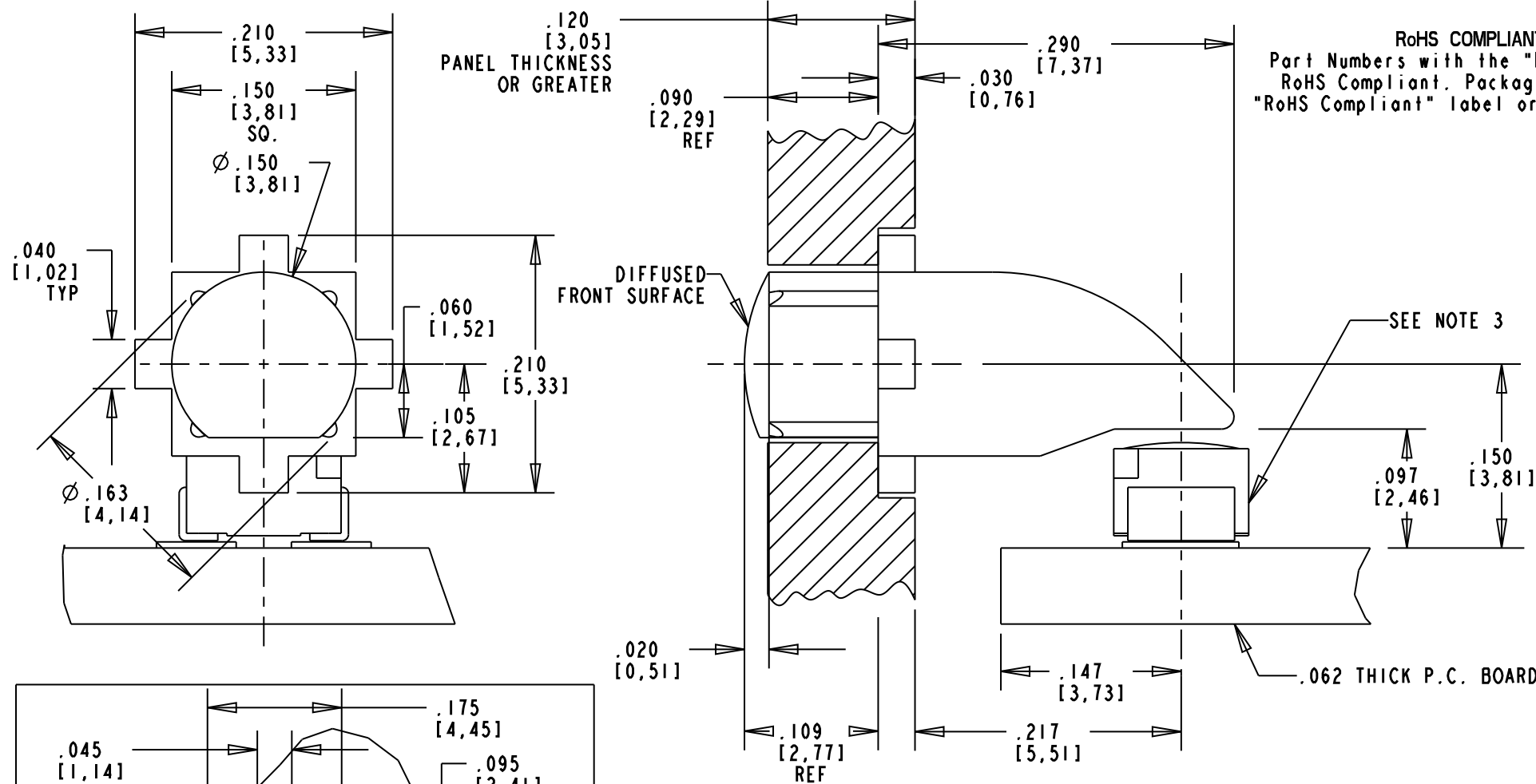
Tel: +86-755-8981 8866 Fax: +86-755-8427 6832

Email & Skype: info@chipsmall.com Web: www.chipsmall.com

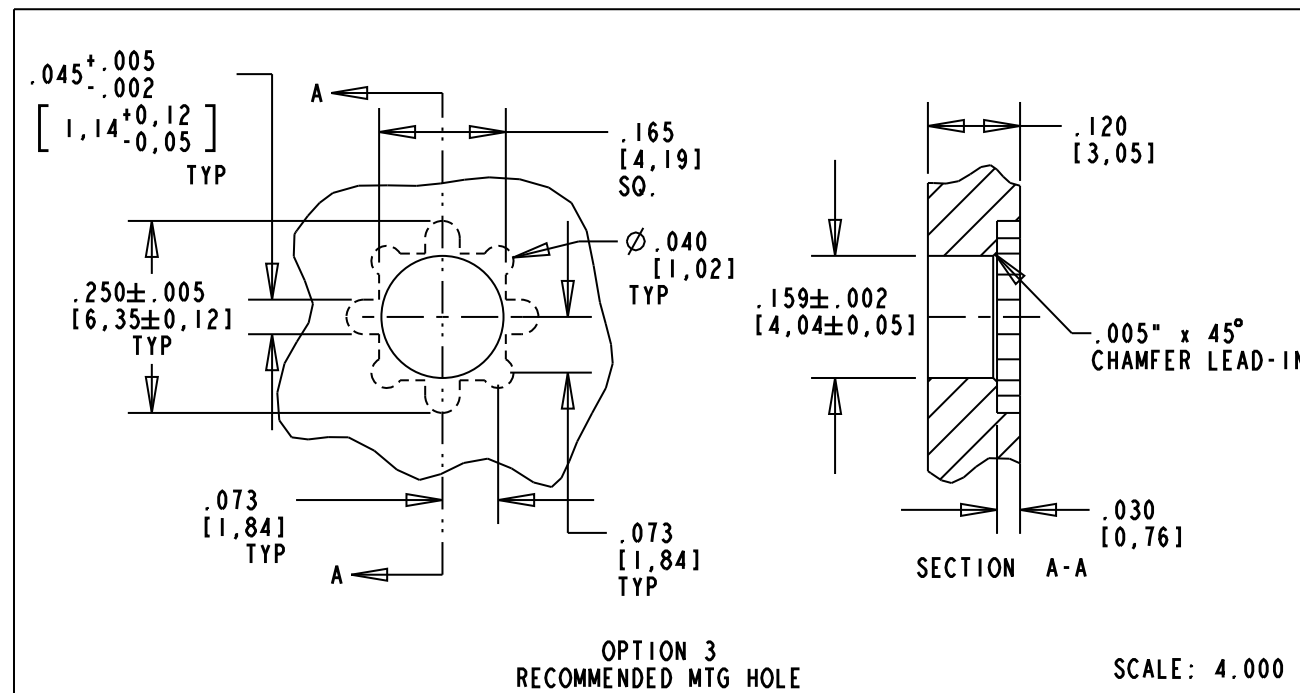
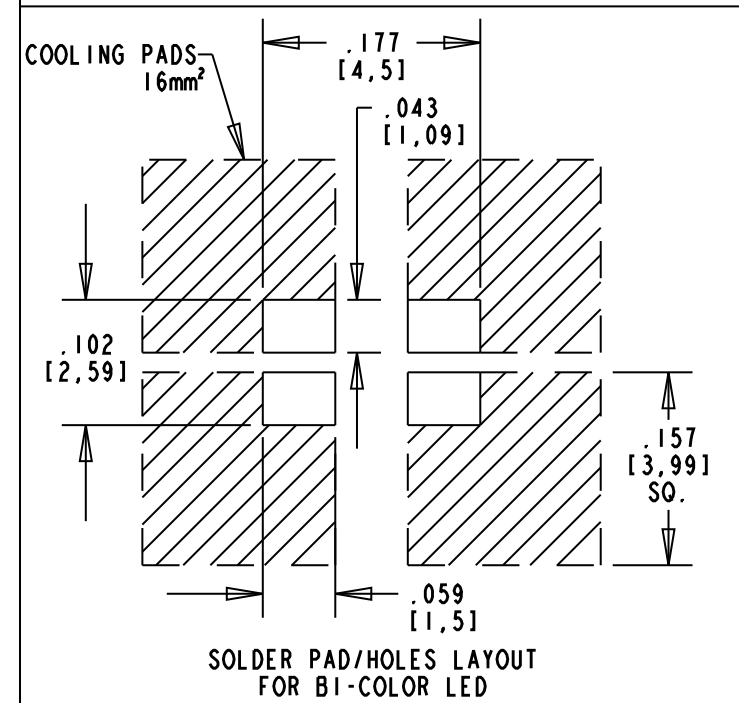
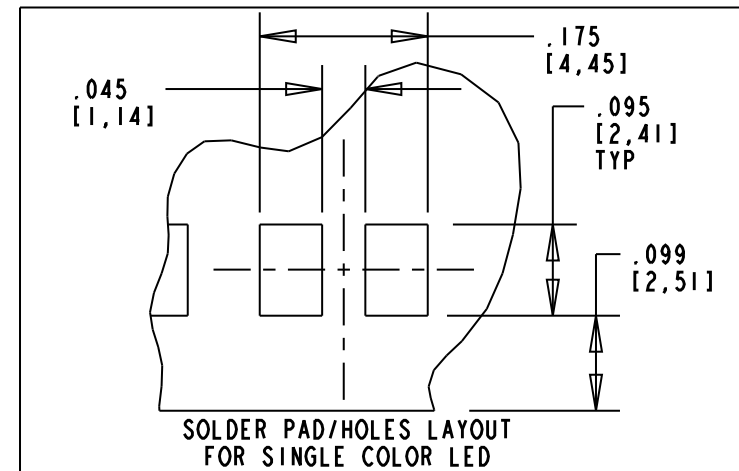
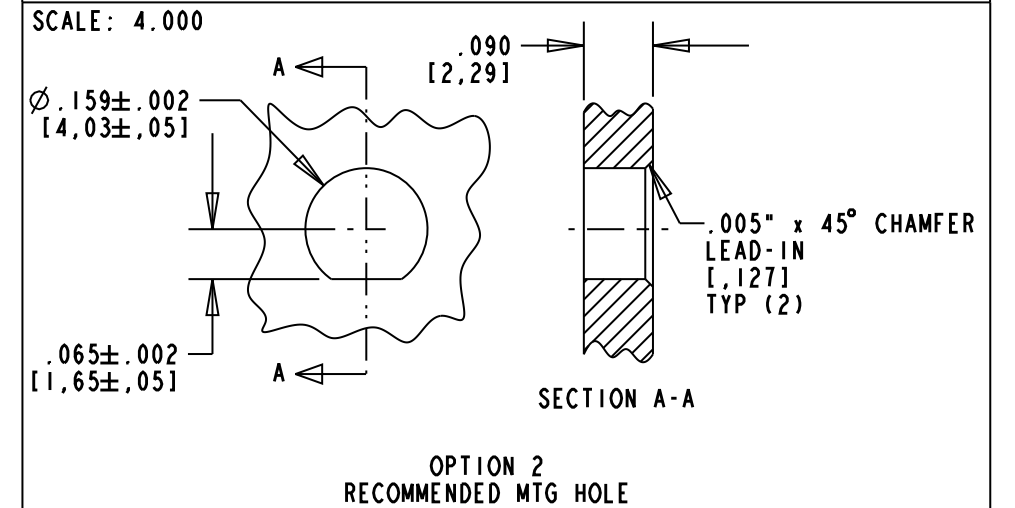
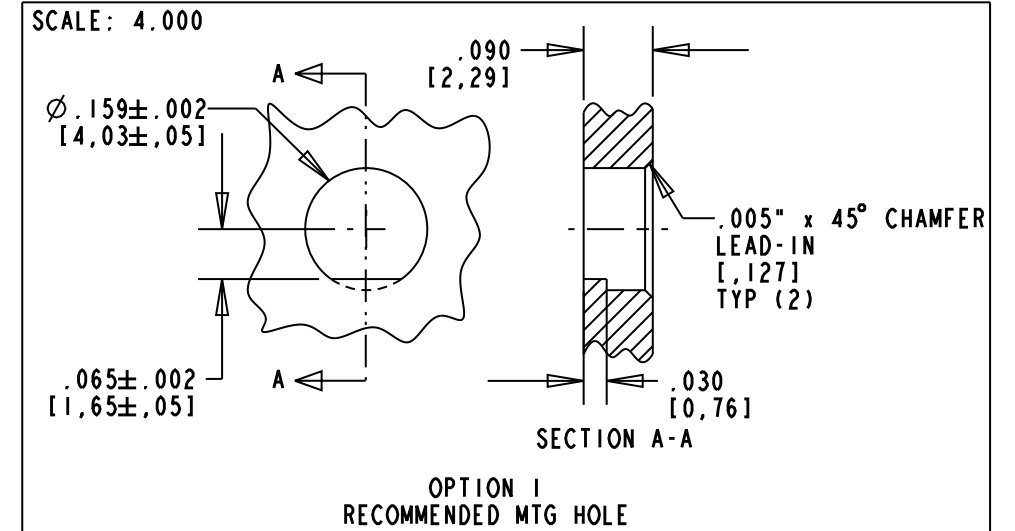
Address: A1208, Overseas Decoration Building, #122 Zhenhua RD., Futian, Shenzhen, China



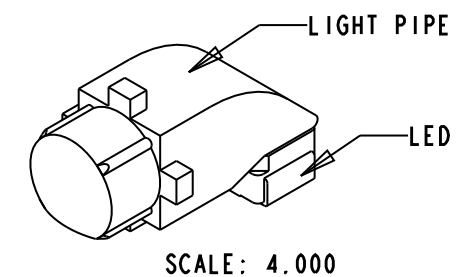
REV	ECN NO	REVISIONS	DRN	CKD	APP	DATE
A		NEW RELEASE	MC	DC	NO	2-17-99
B		ADDED PANEL MTG HOLE OPTIONS 1, 2, & 3; ADDED PANEL THICKNESS, CROSS SECTION, DUAL DIMENSIONS, AND BI-COLOR LED PAD LAYOUT.	AJF	KLJ	NO	9-8-09
C		REVISED MTG HOLE OPTION 3	AJF	KLJ	NO	12-17-09



RoHS COMPLIANT 515-1096F  
Part Numbers with the "F" suffix ending are  
RoHS Compliant. Packaging is marked with  
"RoHS Compliant" label or equivalent markings.



- NOTES:
- COMPONENT TO BE MOLDED IN A CLEAR TRANSMISSIVE POLYCARBONATE.
  - COMPONENT DESIGNED TO BE PRESSED INTO FRONT PANEL.
  - RECOMMENDED LED:  
SINGLE COLOR: DIALIGHT SERIES 597-3XXX-207F  
BI-COLOR: DIALIGHT SERIES 597-77XX-207F
  - DIALIGHT PART NUMBER: 515-1096F.



THIS DRAWING AND THE CONTENTS HEREIN ARE CONFIDENTIAL AND THE SOLE PROPERTY OF DIALIGHT. REPRODUCTION OF THIS DRAWING OR CONSTRUCTION OF ANY PARTS WITHIN THIS DRAWING ARE FORBIDDEN WITHOUT THE WRITTEN CONSENT OF DIALIGHT.

SCALE: 8.000 ALL DIM'S IN: INCHES (MM)	DRAWING NUMBER C-16456	REV C
TOLERANCES: UNLESS OTHERWISE SPECIFIED FRACTIONS: ±1/64 DECIMALS (.XX): ±.02 DECIMALS (.XXX): ±.015	TITLE SINGLE-ELEMENT LIGHTPIPE	MATERIAL
ANGLES: ±3° FINISH:	Dialight 1501 ROUTE 34 SOUTH FARMINGDALE, NJ 07727	
FSCM 83330	SHEET 1 OF 1	FAMILY TABLE: