



Chipsmall Limited consists of a professional team with an average of over 10 year of expertise in the distribution of electronic components. Based in Hongkong, we have already established firm and mutual-benefit business relationships with customers from,Europe,America and south Asia,supplying obsolete and hard-to-find components to meet their specific needs.

With the principle of “Quality Parts,Customers Priority,Honest Operation,and Considerate Service”,our business mainly focus on the distribution of electronic components. Line cards we deal with include Microchip,ALPS,ROHM,Xilinx,Pulse,ON,Everlight and Freescale. Main products comprise IC,Modules,Potentiometer,IC Socket,Relay,Connector.Our parts cover such applications as commercial,industrial, and automotives areas.

We are looking forward to setting up business relationship with you and hope to provide you with the best service and solution. Let us make a better world for our industry!



Contact us

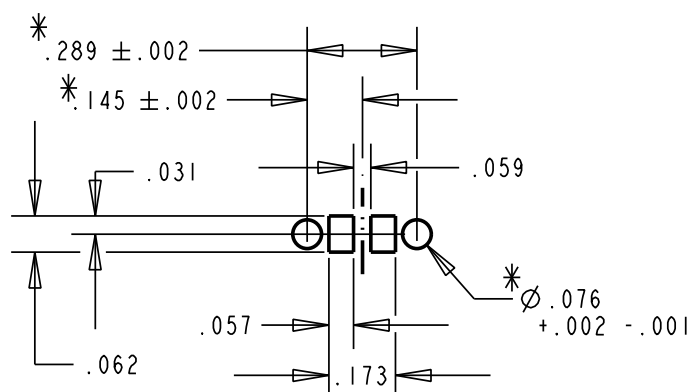
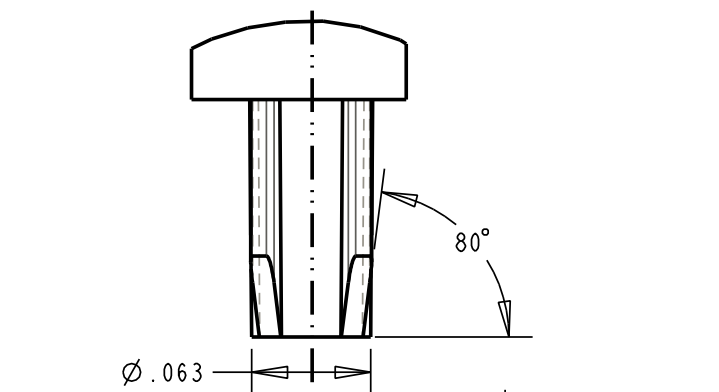
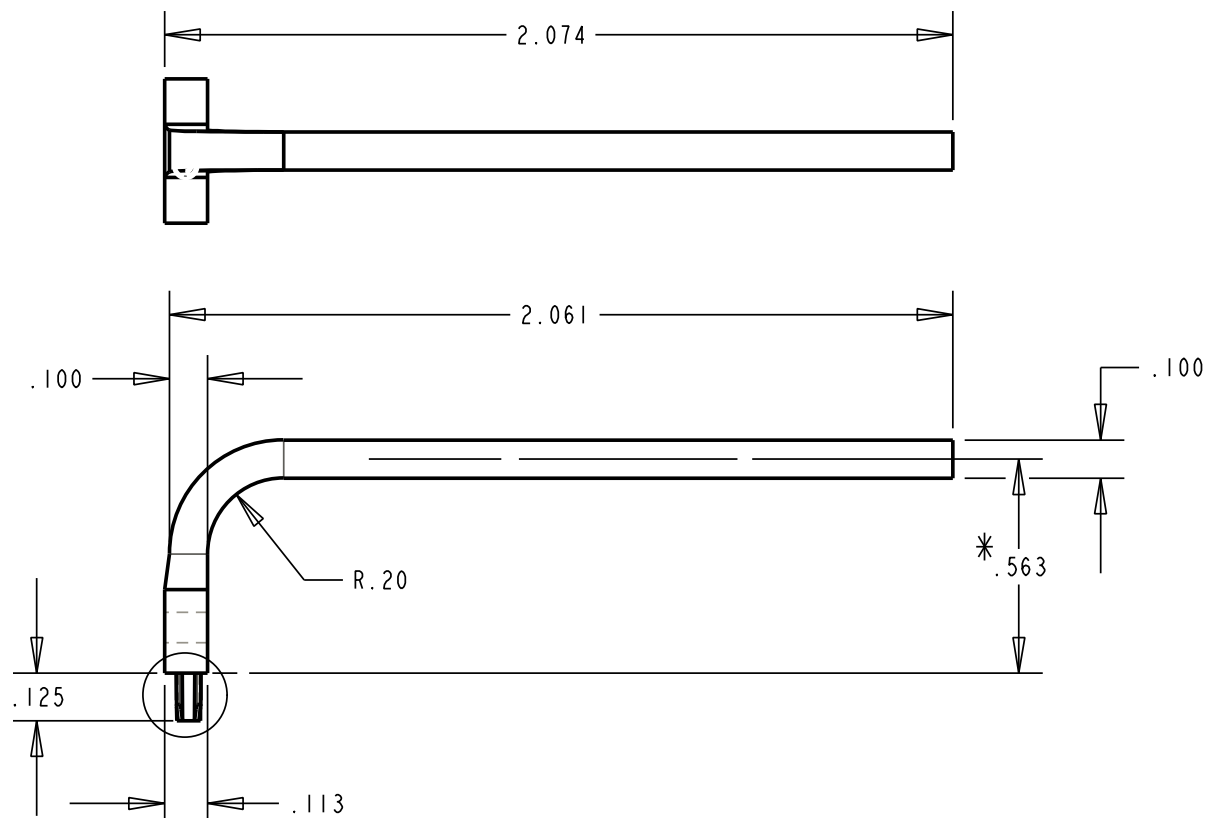
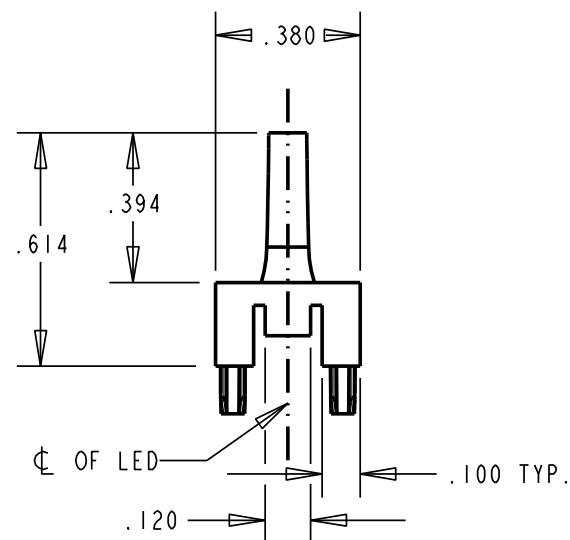
Tel: +86-755-8981 8866 Fax: +86-755-8427 6832

Email & Skype: info@chipsmall.com Web: www.chipsmall.com

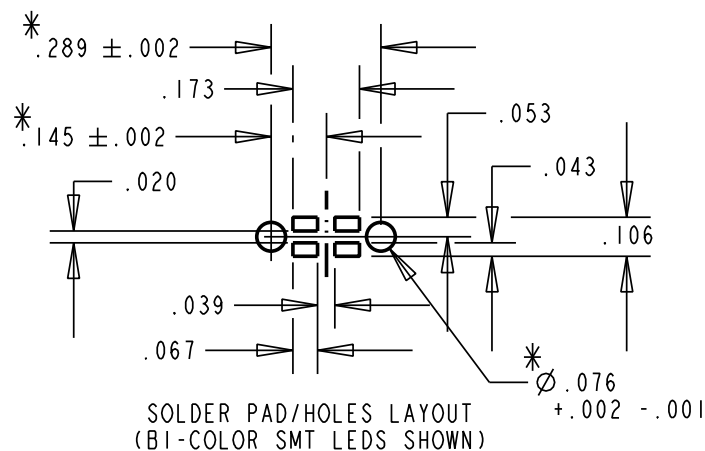
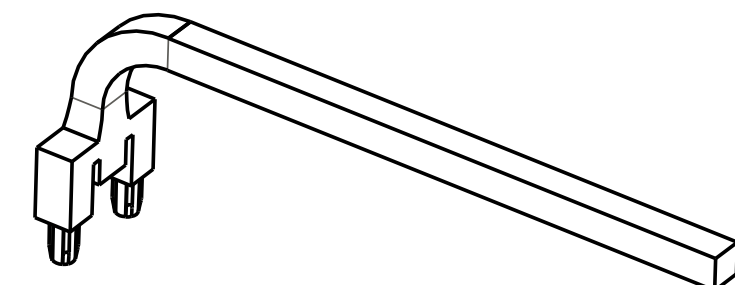
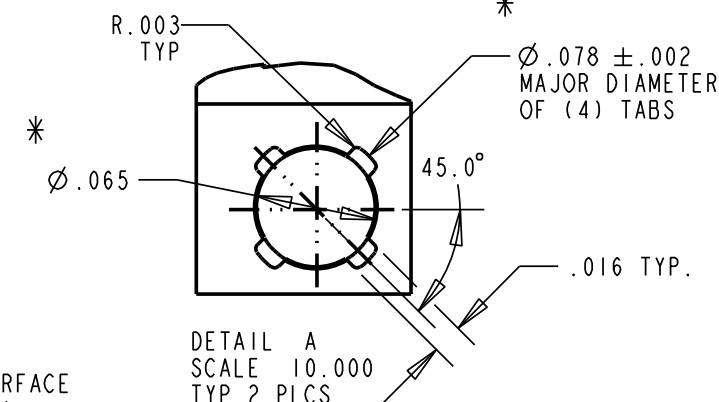
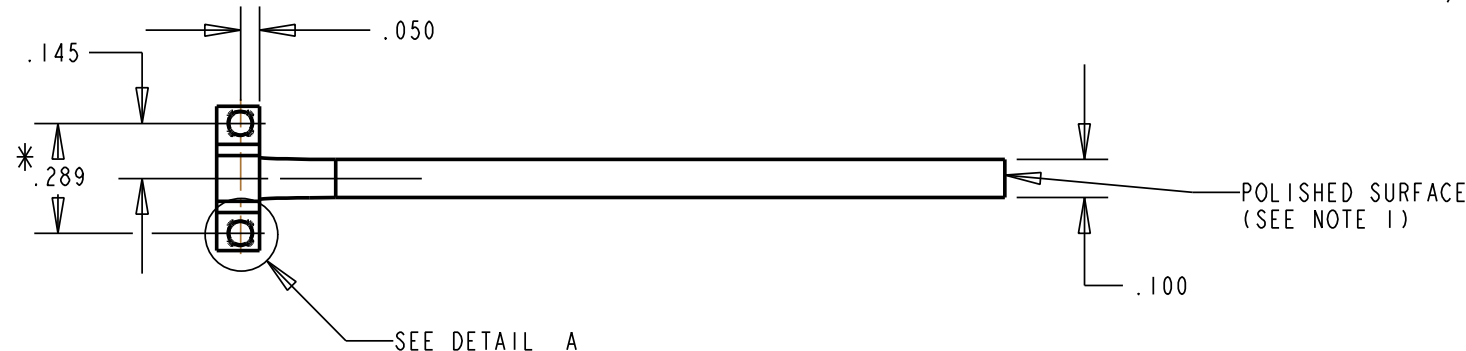
Address: A1208, Overseas Decoration Building, #122 Zhenhua RD., Futian, Shenzhen, China



REV.	ECN NO.	REVISIONS	DRN.	CKD.	APP.	DATE
A	—	NEW RELEASE	ADM	AV	NO	3-09-01
B	—	ADDED: DETAIL A (MOUNTING PIN MODIFICATIONS) AND CRITICAL DIMENSIONS NOTE (*)	ADM	DC	NO	8-29-01
C	—	ROTATED PINS 45°. R.003 WAS R.004, Ø.065 WAS Ø.063, .016 WAS .010, .380 WAS .440, .100 WAS .130; ADDED DETAIL WITH 80° & Ø.063 DIMS.	ADM	JMC	N.O.	9-6-01
D	—	ADDED OVERALL DIM. 2.074 AND Ø OF PIN .050; REMOVED ERRONEOUS .072 DIM; ADDED NEW FORMAT	TWC			



SOLDER PAD/HOLES LAYOUT (SINGLE COLOR SMT LEDS SHOWN)



SOLDER PAD/HOLES LAYOUT (BI-COLOR SMT LEDS SHOWN)

- * DENOTES CRITICAL DIMENSION OR SPECIFICATION
- NOTES:
- UNLESS OTHERWISE SPECIFIED, ALL SURFACES MUST HAVE FINISH OF SPI A3 TO B1.
 - UNLESS OTHERWISE SPECIFIED, SINK MARKS & KNOCKOUT MARKS NOT TO EXCEED .005" RECESSED.
 - FLASH NOT TO EXCEED .005".
 - NO BUBBLES IN LIGHTPATH GREATER THAN .005".
 - GATE VESTIGE TO BE FLUSH TO .010" ABOVE SURFACE.
 - MARKING FOR CAVITY IDENTIFICATION NOT TO EXCEED .003" RAISED, OR NOT TO EXCEED .005" LOWERED.
 - UNLESS OTHERWISE SPECIFIED, .003" ROUNDS & FILLETS PERMISSIBLE.
 - UNLESS OTHERWISE SPECIFIED, 2 DEGREE DRAFT PERMISSIBLE.
 - DIALIGHT P/N 5151111; TELLABS P/N 150319.
 - DIALIGHT LIGHT SOURCE P/N'S: SINGLE 597-3XXI-5XX; BI-COLOR 597-77XI-5XX.

THIS DRAWING AND THE CONTENTS HEREIN ARE CONFIDENTIAL AND THE SOLE PROPERTY OF DIALIGHT. REPRODUCTION OF THIS DRAWING OR CONSTRUCTION OF ANY PARTS WITHIN THIS DRAWING ARE FORBIDDEN WITHOUT THE WRITTEN CONSENT OF DIALIGHT.

SCALE: 1.000 ALL DIM'S IN: INCHES (MM)	DRAWING NUMBER C-16781	REV D
TOLERANCES: UNLESS OTHERWISE SPECIFIED FRACTIONS: ±1/64 DECIMALS (.XX): ±.01 DECIMALS (.XXX): ±.005 DECIMALS (.XXXX): ±.0005 ANGLES: ±1°	TITLE LIGHTPIPE, SINGLE ELEMENT	
FINISH:	MATERIAL	
FSCM 83330	1501 ROUTE 34 SOUTH FARMINGDALE, NJ 07727	
	SHEET 1 OF 1	FAMILY TABLE: