



Chipsmall Limited consists of a professional team with an average of over 10 year of expertise in the distribution of electronic components. Based in Hongkong, we have already established firm and mutual-benefit business relationships with customers from,Europe,America and south Asia,supplying obsolete and hard-to-find components to meet their specific needs.

With the principle of “Quality Parts,Customers Priority,Honest Operation,and Considerate Service”,our business mainly focus on the distribution of electronic components. Line cards we deal with include Microchip,ALPS,ROHM,Xilinx,Pulse,ON,Everlight and Freescale. Main products comprise IC,Modules,Potentiometer,IC Socket,Relay,Connector.Our parts cover such applications as commercial,industrial, and automotives areas.

We are looking forward to setting up business relationship with you and hope to provide you with the best service and solution. Let us make a better world for our industry!



## Contact us

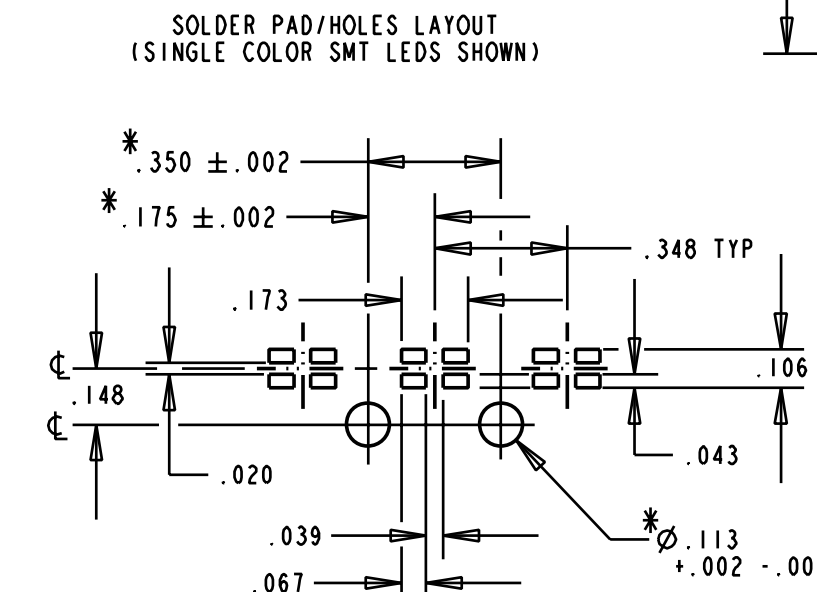
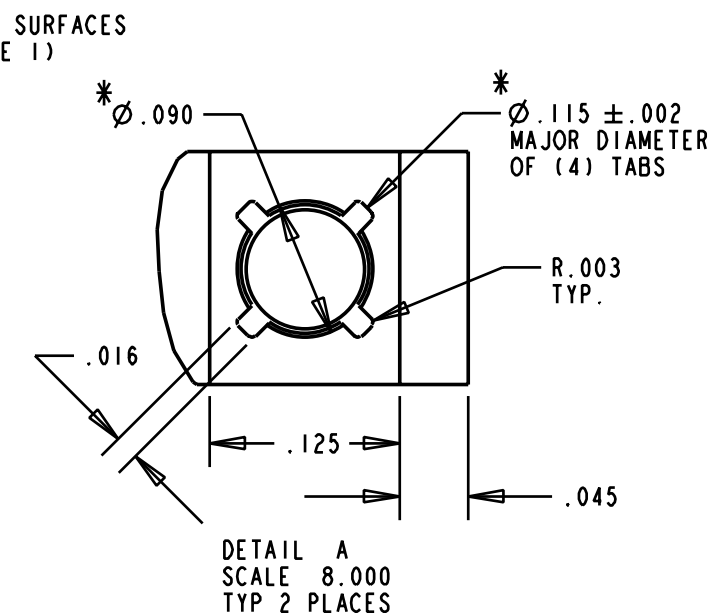
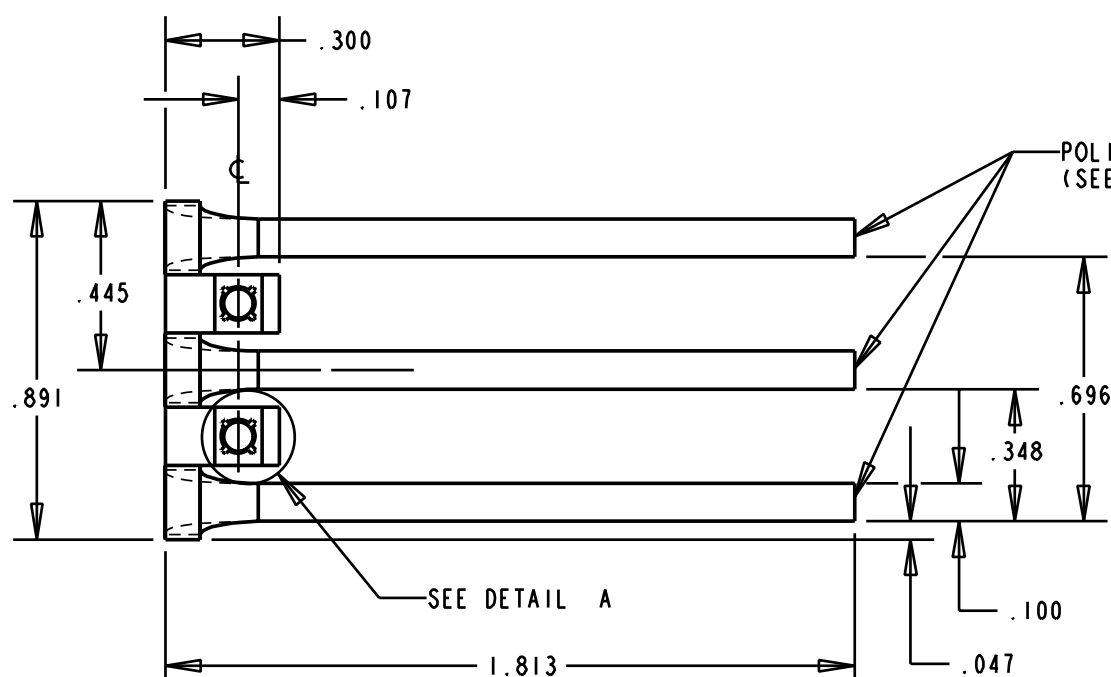
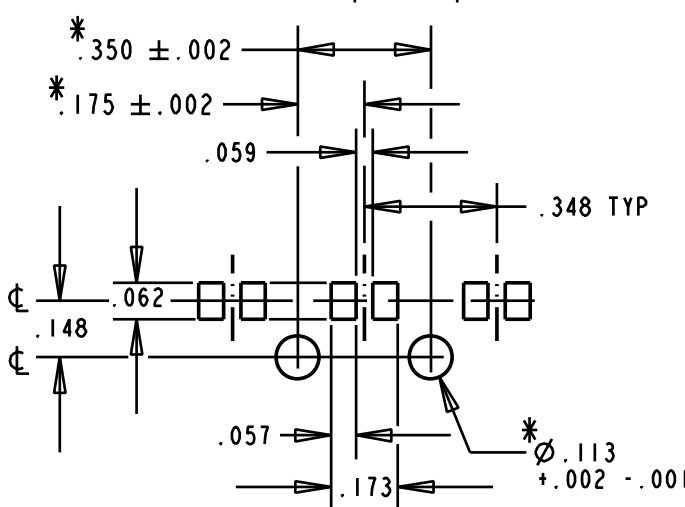
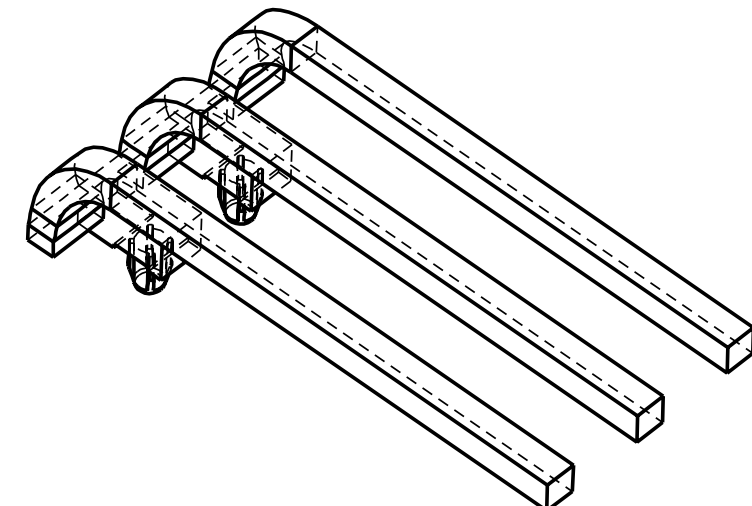
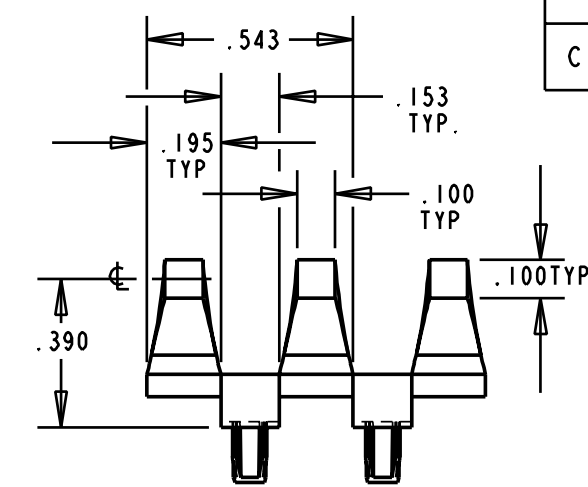
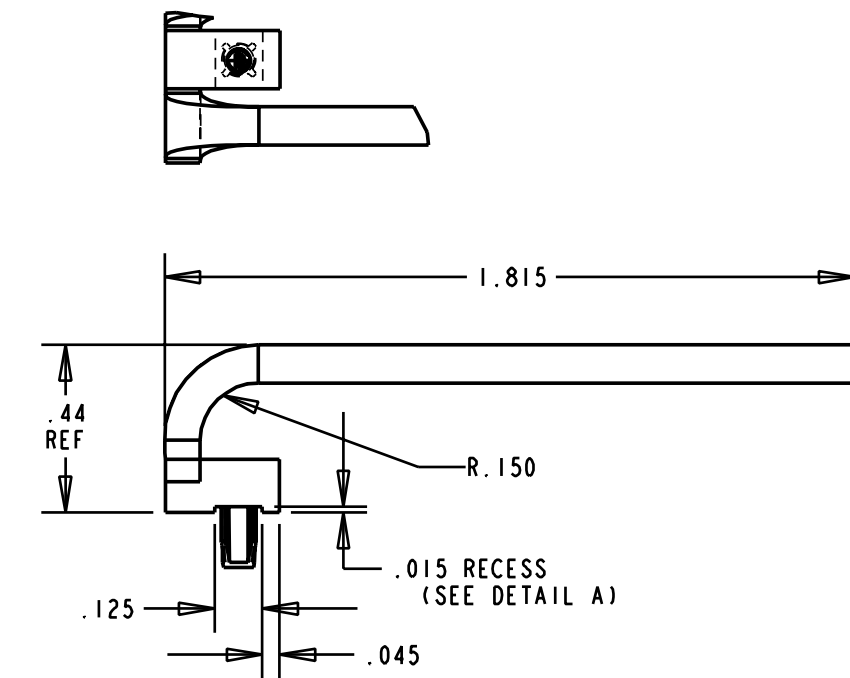
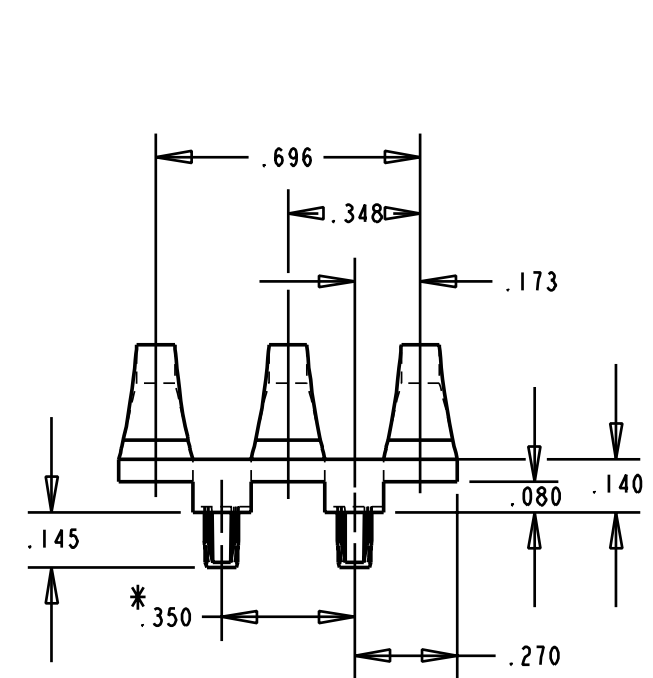
Tel: +86-755-8981 8866 Fax: +86-755-8427 6832

Email & Skype: info@chipsmall.com Web: www.chipsmall.com

Address: A1208, Overseas Decoration Building, #122 Zhenhua RD., Futian, Shenzhen, China



REV.	ECN NO.	REVISIONS	DRN.	CKD.	APP.	DATE
A	—	NEW RELEASE	ADM	AV	N.O.	3-09-01
B	—	ADDED: DETAIL A (MOUNTING PIN MODIFICATIONS) AND CRITICAL DIMENSIONS NOTE (*)	ADM	DC	N.O.	8-29-01
C	—	CHANGED DIMS: $\phi .115$ WAS $\phi .116$ , $.016$ WAS $.010$ , $R.003$ WAS $R.004$ .	ADM			



\*DENOTES CRITICAL DIMENSION OR SPECIFICATION

- NOTES:
1. UNLESS OTHERWISE SPECIFIED, ALL SURFACES MUST HAVE FINISH OF SPI A3 TO B1.
  2. UNLESS OTHERWISE SPECIFIED, SINK MARKS & KNOCKOUT MARKS NOT TO EXCEED .005" RECESSED.
  3. FLASH NOT TO EXCEED .005".
  4. NO BUBBLES IN LIGHTPATH GREATER THAN .005".
  5. GATE VESTIGE TO BE FLUSH TO .010" ABOVE SURFACE.
  6. MARKING FOR CAVITY IDENTIFICATION NOT TO EXCEED .003" RAISED, OR NOT TO EXCEED .005" LOWERED.
  7. UNLESS OTHERWISE SPECIFIED, .003" ROUNDS & FILLETS PERMISSIBLE.
  8. UNLESS OTHERWISE SPECIFIED, 2 DEGREE DRAFT PERMISSIBLE.
  9. DIALIGHT P/N 5151112; TELLABS P/N 150320.
  10. DIALIGHT LIGHT SOURCE P/N'S: SINGLE 597-3XXI-5XX; BI-COLOR 597-77XI-5XX.

THIS DRAWING AND THE CONTENTS HEREIN ARE CONFIDENTIAL AND THE SOLE PROPERTY OF DIALIGHT. REPRODUCTION OF THIS DRAWING OR CONSTRUCTION OF ANY PARTS WITHIN THIS DRAWING ARE FORBIDDEN WITHOUT THE WRITTEN CONSENT OF DIALIGHT.		
SCALE 2:1 ALL DIM'S IN: INCHES (MM)	DRAWING NUMBER C-16782	REV C
TOLERANCES: UNLESS OTHERWISE SPECIFIED FRACTIONS: ±1/64 DECIMALS (.XX): ±.02 DECIMALS (.XXX): ±.015 DECIMALS (.XXXX): ±.0005 ANGLES: ±1°	TITLE LIGHTPIPE, THREE ELEMENT	
FINISH:	MATERIAL	
FSCM 83330	Dialight	1501 ROUTE 34 SOUTH FARMINGDALE, NJ 07729
	SHEET OF	FAMILY TABLE: