



Chipsmall Limited consists of a professional team with an average of over 10 year of expertise in the distribution of electronic components. Based in Hongkong, we have already established firm and mutual-benefit business relationships with customers from,Europe,America and south Asia,supplying obsolete and hard-to-find components to meet their specific needs.

With the principle of “Quality Parts,Customers Priority,Honest Operation,and Considerate Service”,our business mainly focus on the distribution of electronic components. Line cards we deal with include Microchip,ALPS,ROHM,Xilinx,Pulse,ON,Everlight and Freescale. Main products comprise IC,Modules,Potentiometer,IC Socket,Relay,Connector.Our parts cover such applications as commercial,industrial, and automotives areas.

We are looking forward to setting up business relationship with you and hope to provide you with the best service and solution. Let us make a better world for our industry!



Contact us

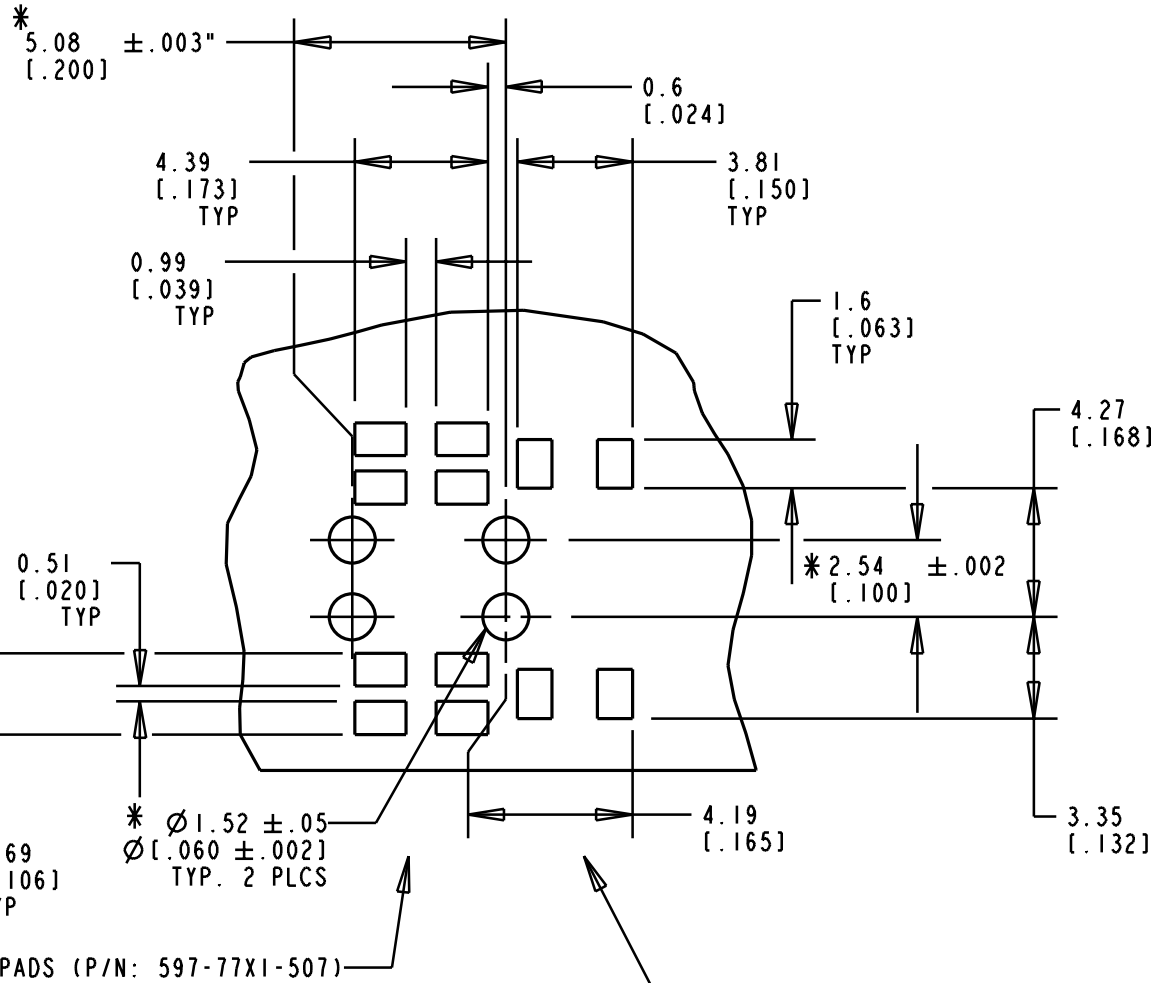
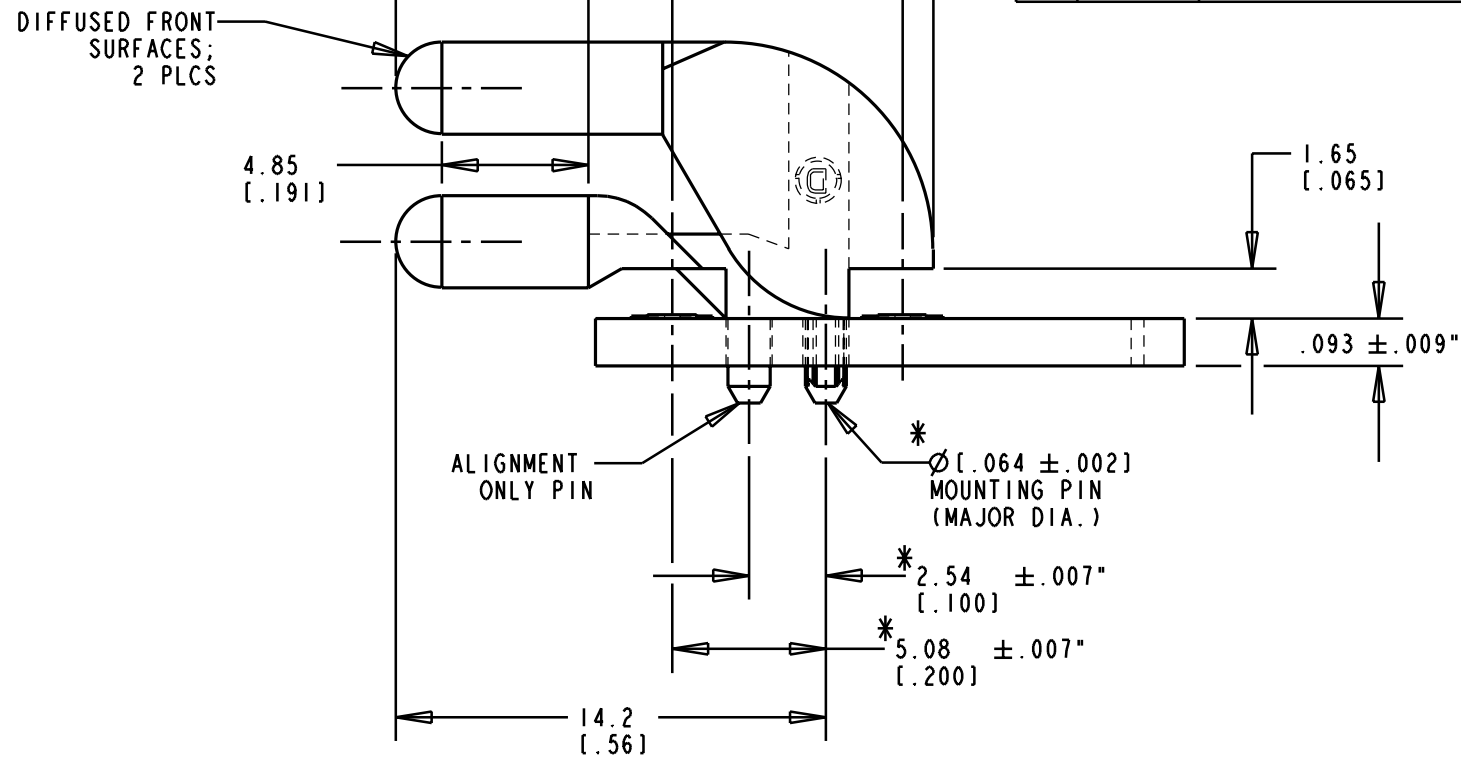
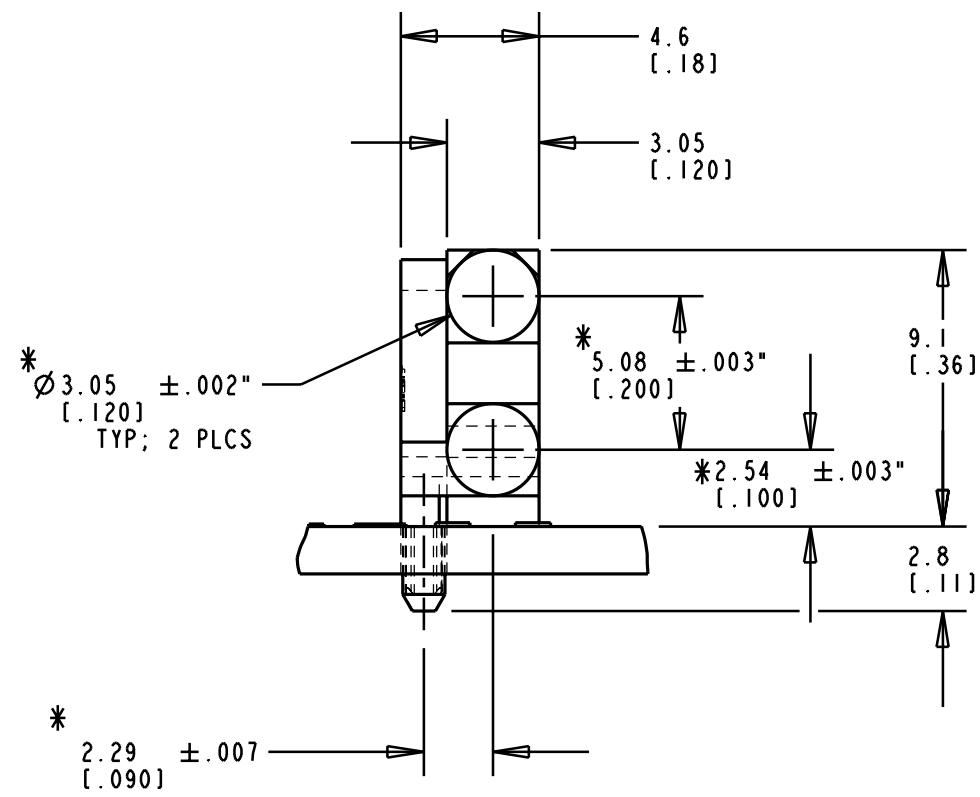
Tel: +86-755-8981 8866 Fax: +86-755-8427 6832

Email & Skype: info@chipsmall.com Web: www.chipsmall.com

Address: A1208, Overseas Decoration Building, #122 Zhenhua RD., Futian, Shenzhen, China



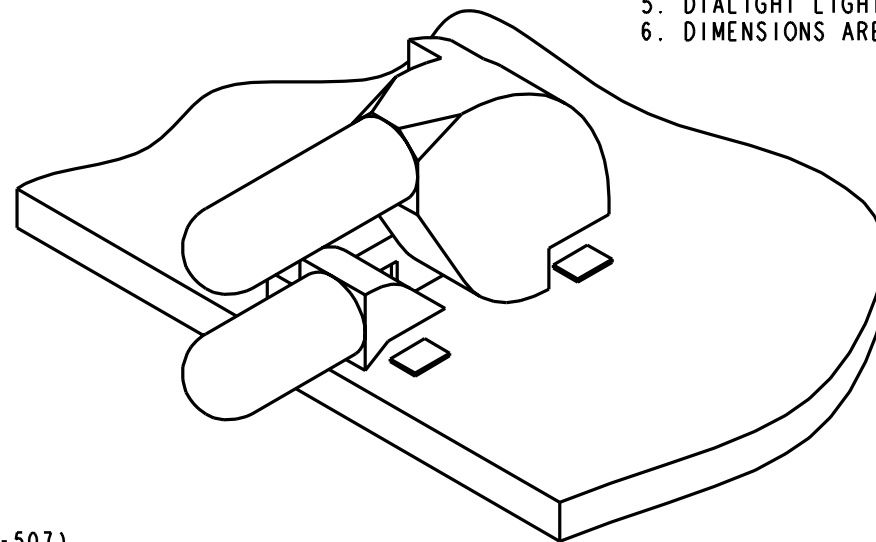
REV.	ECN NO.	REVISIONS	DRN.	CKD.	APP.	DATE
A		NEW RELEASE	ADM	D.C.	N.O.	2-05-01
B		ADDED: TOL. $\pm .002$ TO MOUNTING PIN $\phi .064$ (MAJOR DIA.); TOL. $\pm .05$ TO HOLE $\phi 1.52$; AND NOTE 6.	ADM	D.C.	N.O.	2-05-01
C		ADDED: DIMS $.100 \pm .003$; $.200 \pm .003$; ASTERISKS FOR CRITICAL DIM. LOCATIONS; $.093 \pm .009$ " AND "*" DENOTES CRITICAL DIMENSIONS OR SPECIFICATIONS".	ADM			



* DENOTES CRITICAL DIMENSION OR SPECIFICATION

NOTES:

- COMPONENT TO BE MOLDED IN A CLEAR TRANSMISSIVE POLYCARBONATE.
- COMPONENT DESIGNED TO BE PRESSED INTO P.C. BOARD.
- MINIMUM ALLOWABLE PITCH IS .200 FOR EITHER BI-COLOR OR SINGLE.
- LIGHTSOURCES: SMT LED (DIALIGHT PART NUMBERS: 597-3XXI-5XX OR 597-77XI-5XX).
- DIALIGHT LIGHTPIPE PART NUMBER: 515-1114.
- DIMENSIONS ARE IN mm AND [INCHES].



THIS DRAWING AND THE CONTENTS HEREIN ARE CONFIDENTIAL AND THE SOLE PROPERTY OF DIALIGHT. REPRODUCTION OF THIS DRAWING OR CONSTRUCTION OF ANY PARTS WITHIN THIS DRAWING ARE FORBIDDEN WITHOUT THE WRITTEN CONSENT OF DIALIGHT.		
SCALE 4:1 ALL DIM'S IN INCHES (MM)	DRAWING NUMBER C-16789	REV C
TOLERANCES: UNLESS OTHERWISE SPECIFIED FRACTIONS: $\pm 1/64$ DECIMALS (.XX): $\pm .02$ DECIMALS (.XXX): $\pm .015$ DECIMALS (.XXXX): $\pm .0005$ ANGLES: $\pm 3^\circ$	TITLE BI-LEVEL LIGHTPIPE (EXTENDED)	
FINISH:	MATERIAL	
FSCM 83330	Dialight	1501 ROUTE 34 SOUTH FARMINGDALE, NJ 07727
	SHEET 1 OF 1	FAMILY TABLE:

BICOLOR PADS (P/N: 597-77XI-507)

SOLDER PAD/HOLES LAYOUT

SINGLE COLOR PADS (P/N: 597-3XXI-507)