



Chipsmall Limited consists of a professional team with an average of over 10 year of expertise in the distribution of electronic components. Based in Hongkong, we have already established firm and mutual-benefit business relationships with customers from,Europe,America and south Asia,supplying obsolete and hard-to-find components to meet their specific needs.

With the principle of “Quality Parts,Customers Priority,Honest Operation,and Considerate Service”,our business mainly focus on the distribution of electronic components. Line cards we deal with include Microchip,ALPS,ROHM,Xilinx,Pulse,ON,Everlight and Freescale. Main products comprise IC,Modules,Potentiometer,IC Socket,Relay,Connector.Our parts cover such applications as commercial,industrial, and automotives areas.

We are looking forward to setting up business relationship with you and hope to provide you with the best service and solution. Let us make a better world for our industry!



Contact us

Tel: +86-755-8981 8866 Fax: +86-755-8427 6832

Email & Skype: info@chipsmall.com Web: www.chipsmall.com

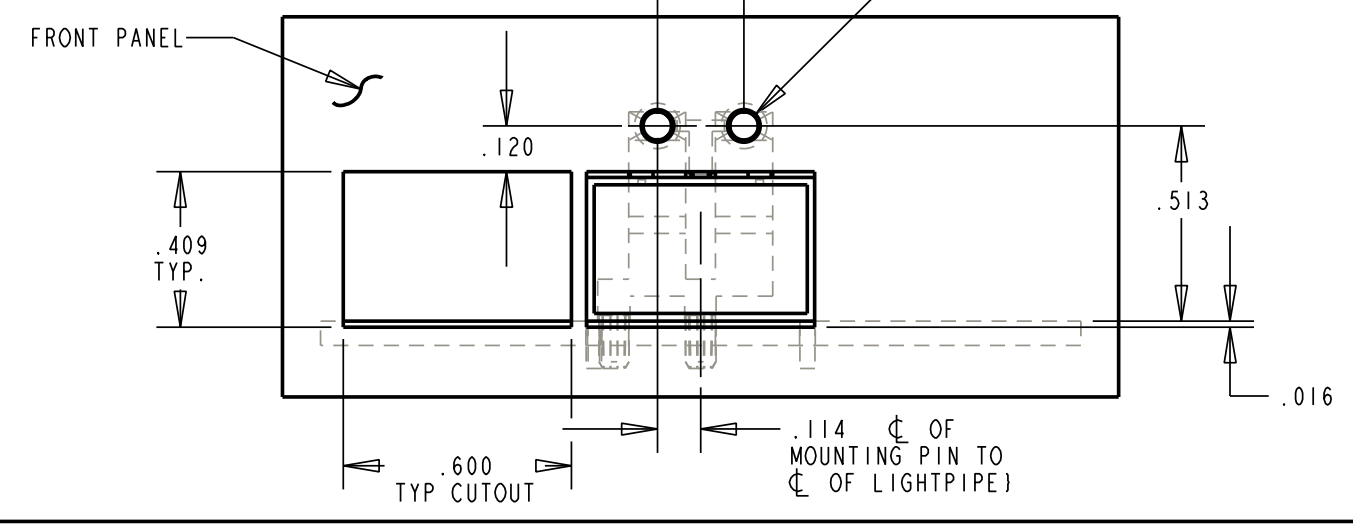
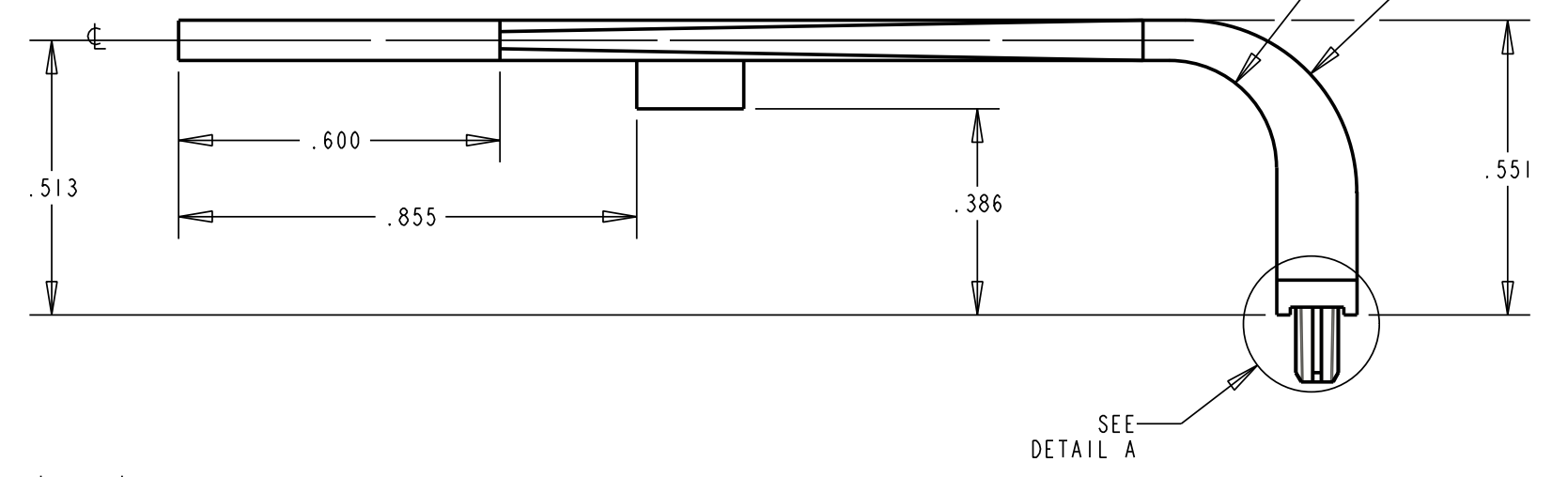
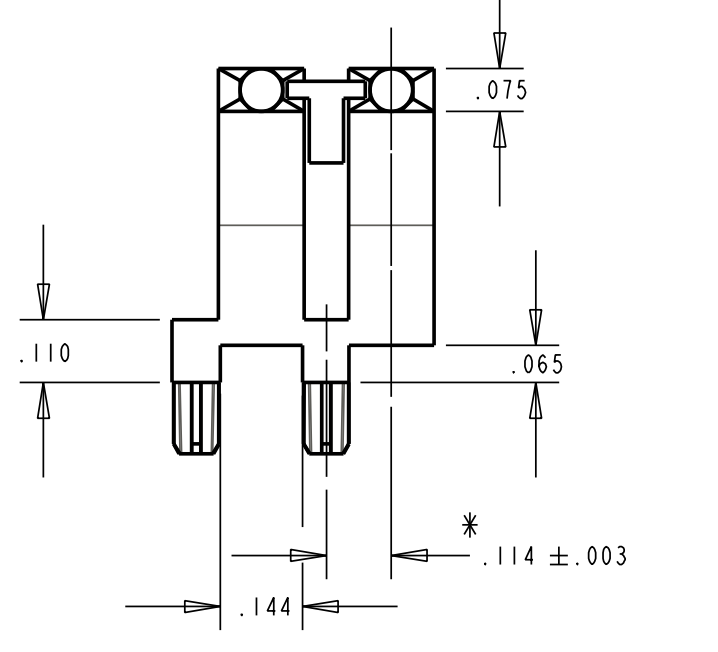
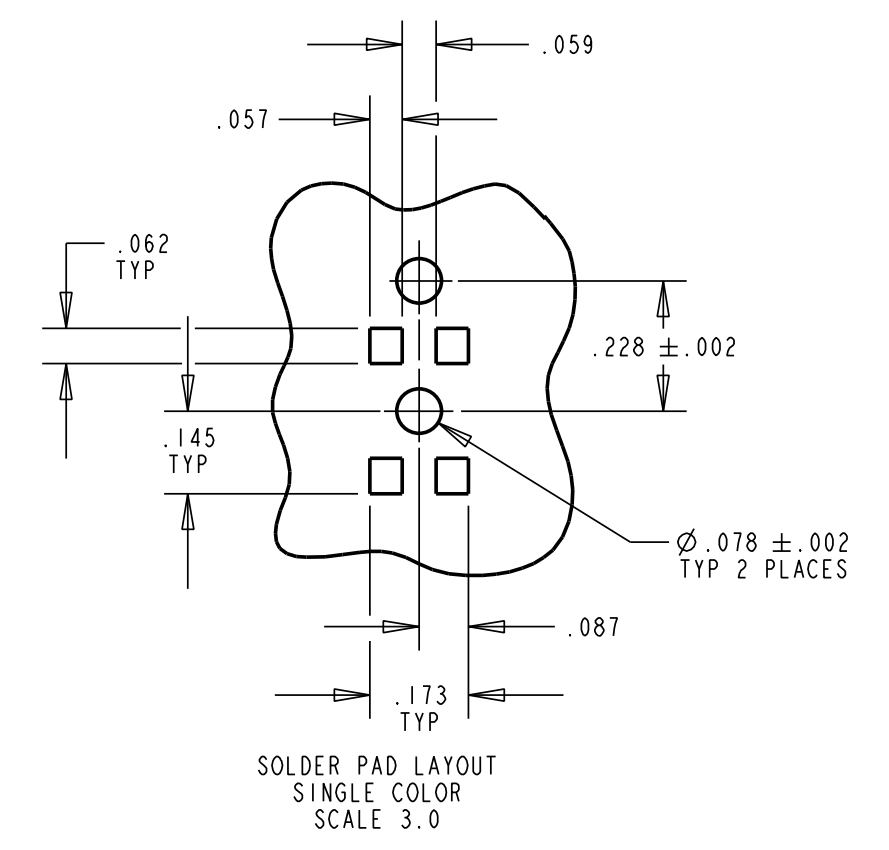
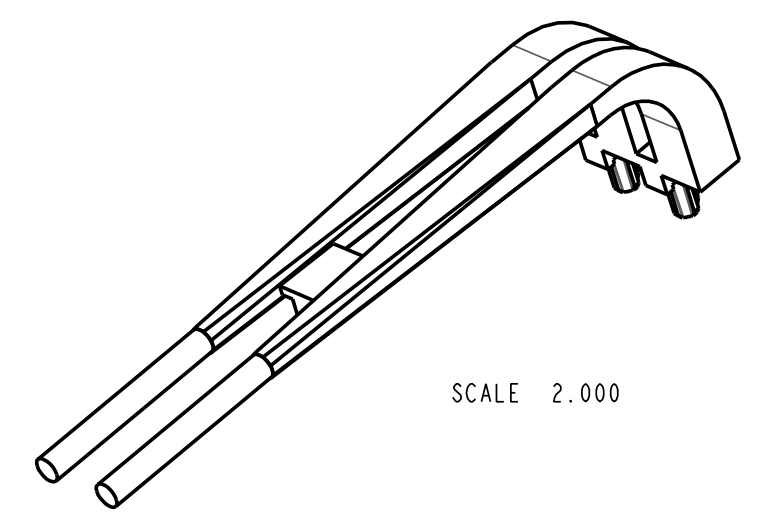
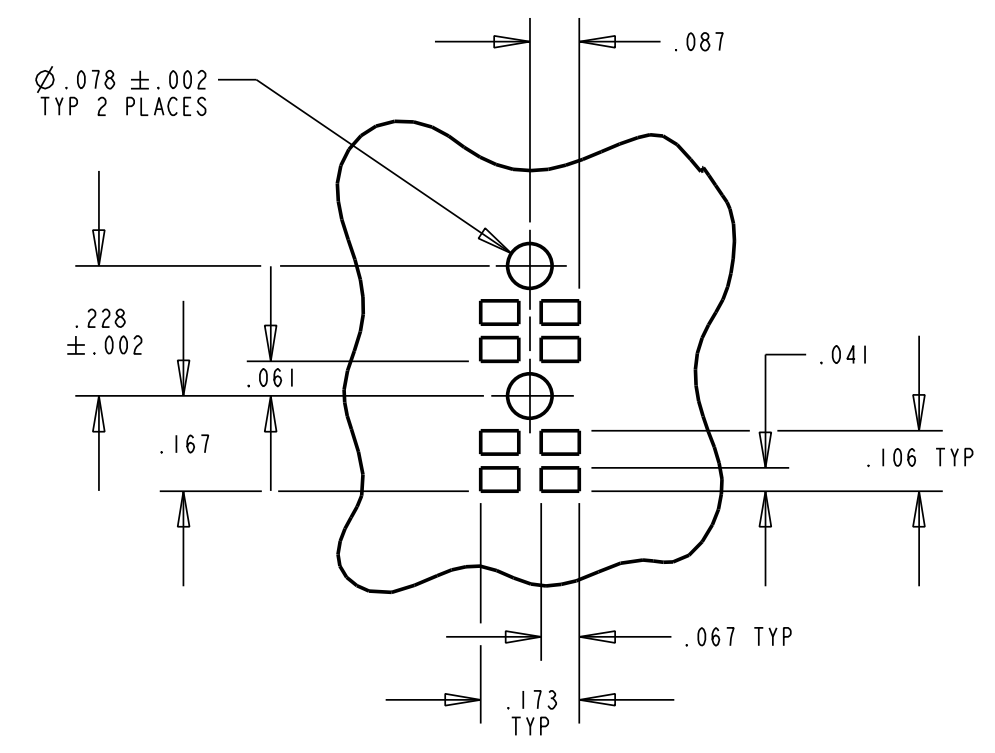
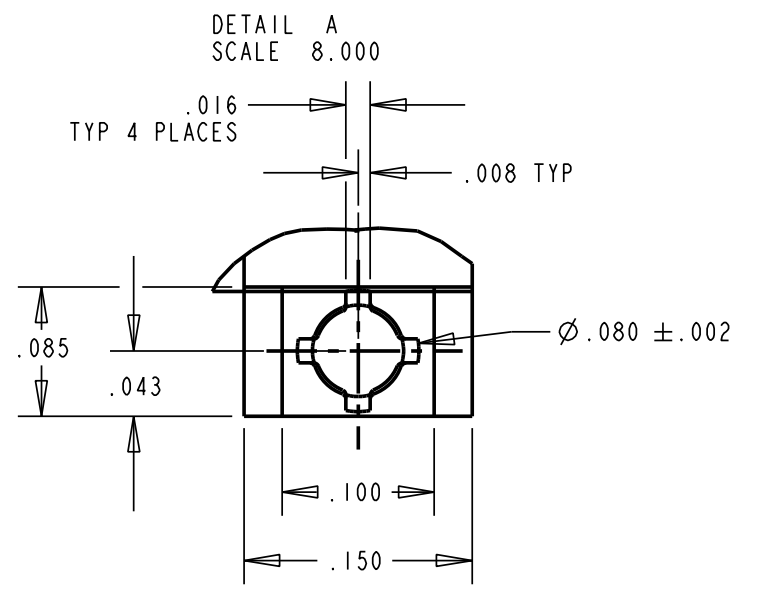
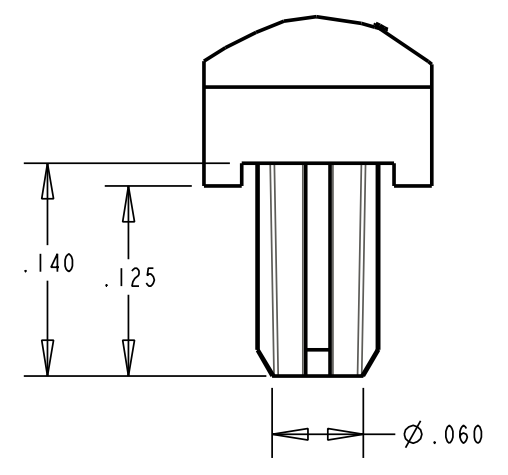
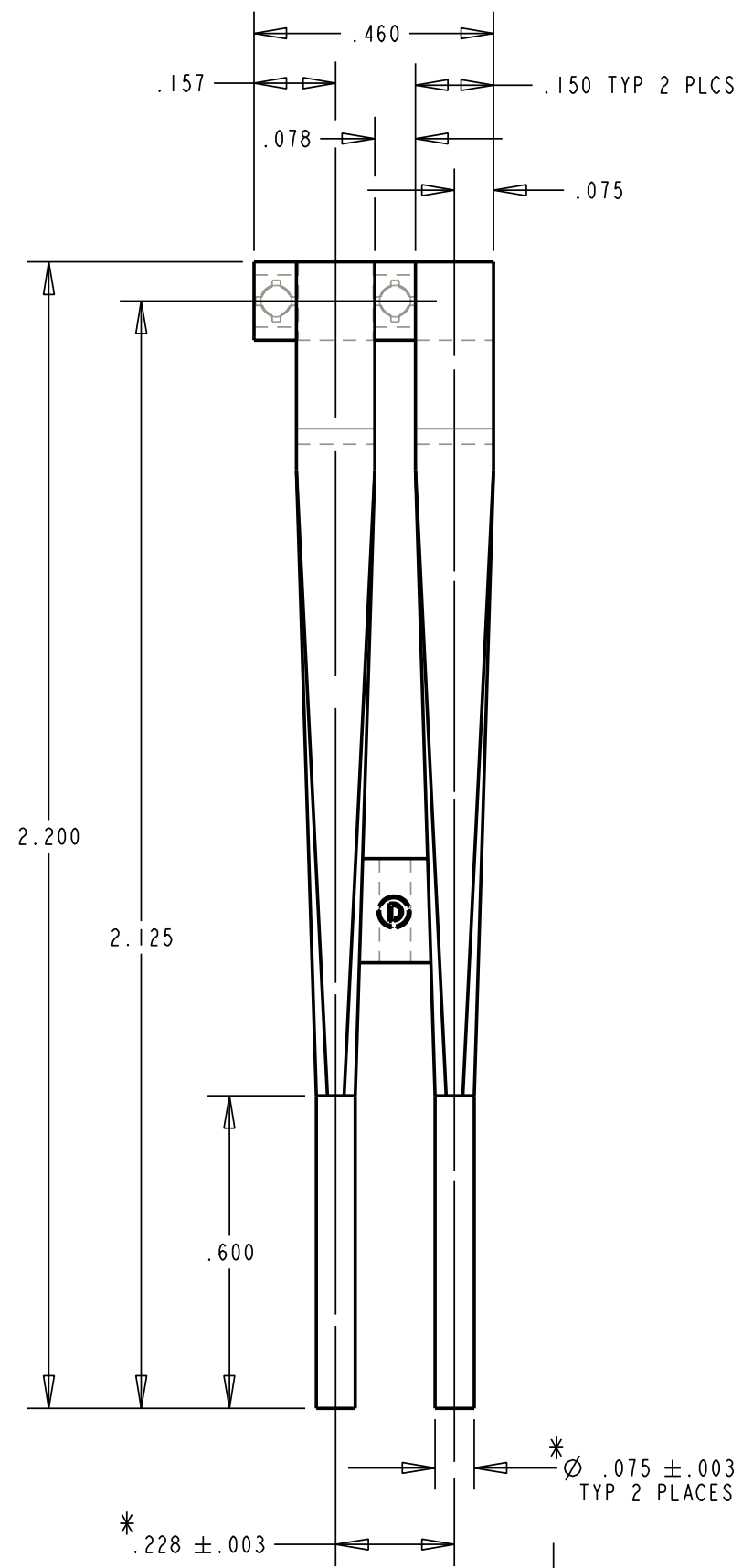
Address: A1208, Overseas Decoration Building, #122 Zhenhua RD., Futian, Shenzhen, China



REV.	ECN NO.	REVISIONS	DRN.	CKD.	APP.	DATE
A		NEW RELEASE	ADM	D.C.	N.O.	5/15/01
B		Ø.080 WAS Ø.079, DIM. .110 WAS .120, .855 WAS 1.100, Ø.086 WAS Ø.079; ADDED: TOL±.003 TO .228 DIM; NOTE 5.	ADM	D.C.	N.O.	5/31/01
C		(FOR EASE OF PIN INSERTION INTO PCB HOLE) DIM. Ø.078 ±.002 WAS CHANGED TO DIM. Ø.076 ±.002; PIN DIMS. .140 & .125 WERE .125 & .110.	ADM			

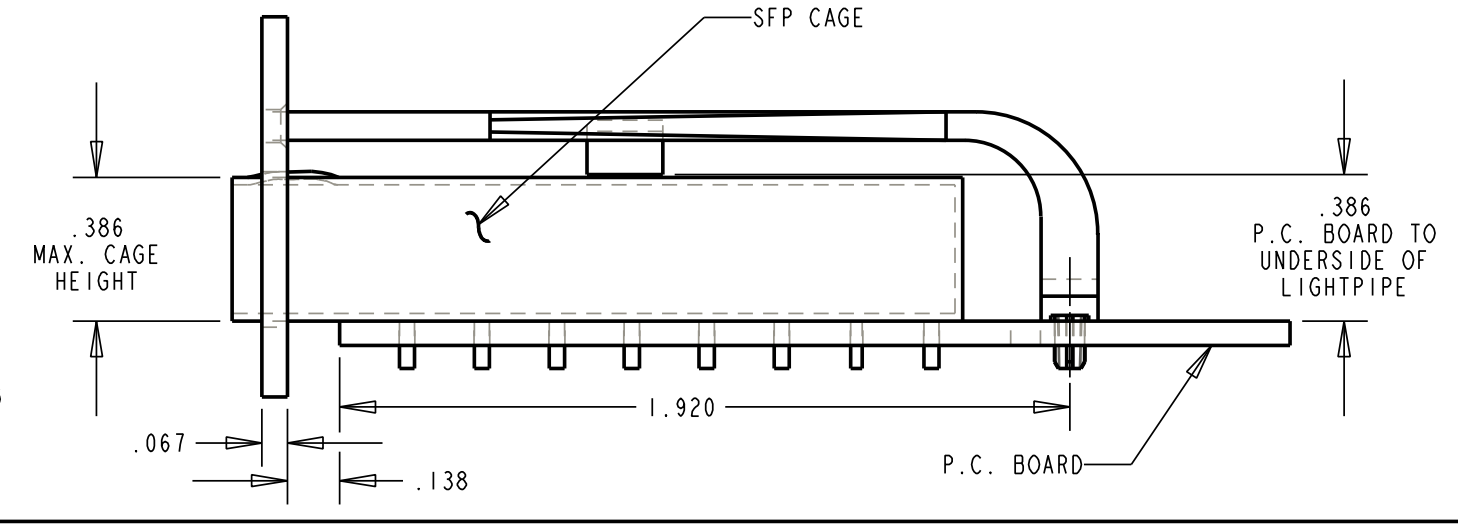
* DENOTES CRITICAL DIMENSION OR SPECIFICATION.

- NOTES:
1. COMPONENT TO BE MOLDED IN A CLEAR TRANSMISSIVE POLYCARBONATE.
 2. COMPONENT DESIGNED TO BE PRESSED INTO A P.C. BOARD.
 3. LIGHTSOURCE: RED/GREEN SMT BI-COLOR LED; DIALIGHT P/N: 597-77X1-5XX & YELLOW SMT SINGLE; 597-3XX1-5XX.
 4. DIALIGHT PART NUMBER: 515-1118.
 5. LIGHTPIPE USED WITH SFP CAGE ASSEMBLY. ASSEMBLY MEETS SMALL FORM-FACTOR PLUGGABLE (SFP) TRANSCEIVER MULTISOURCE AGREEMENT (MSA).



RECOMMENDED:
HOLE Ø.086 ±.002
.112 DIA. X 45°
CHAMFER (FAR SIDE)
TYP 2 PLACES

TYPICAL LIGHTPIPE APPLICATION
USED WITH (SFP) CAGE ASSEMBLY
SCALE 2.000



THIS DRAWING AND THE CONTENTS HEREIN ARE CONFIDENTIAL AND THE SOLE PROPERTY OF DIALIGHT. REPRODUCTION OF THIS DRAWING OR CONSTRUCTION OF ANY PARTS WITHIN THIS DRAWING ARE FORBIDDEN WITHOUT THE WRITTEN CONSENT OF DIALIGHT.		
SCALE 3:0	DRAWING NUMBER	REV
ALL DIM'S IN: INCHES	C-16815	C
TOLERANCES: UNLESS OTHERWISE SPECIFIED	TITLE	
FRACTIONS: ±1/64	2 ELEMENT LIGHTPIPE	
DECIMALS (.XX): ±.01	MATERIAL	
DECIMALS (.XXX): ±.005	SEE NOTE 1	
DECIMALS (.XXXX): ±.0005	FINISH:	
ANGLES: ±1°	Dialight	
FSCM 83330	1501 ROUTE 34 SOUTH FARMINGDALE, NJ 07727	
SHEET OF	FAMILY TABLES:	