



Chipsmall Limited consists of a professional team with an average of over 10 year of expertise in the distribution of electronic components. Based in Hongkong, we have already established firm and mutual-benefit business relationships with customers from,Europe,America and south Asia,supplying obsolete and hard-to-find components to meet their specific needs.

With the principle of "Quality Parts,Customers Priority,Honest Operation,and Considerate Service",our business mainly focus on the distribution of electronic components. Line cards we deal with include Microchip,ALPS,ROHM,Xilinx,Pulse,ON,Everlight and Freescale. Main products comprise IC,Modules,Potentiometer,IC Socket,Relay,Connector.Our parts cover such applications as commercial,industrial, and automotives areas.

We are looking forward to setting up business relationship with you and hope to provide you with the best service and solution. Let us make a better world for our industry!



Contact us

Tel: +86-755-8981 8866 Fax: +86-755-8427 6832

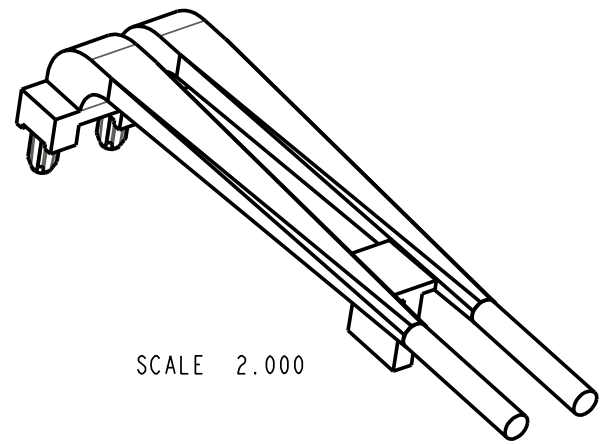
Email & Skype: info@chipsmall.com Web: www.chipsmall.com

Address: A1208, Overseas Decoration Building, #122 Zhenhua RD., Futian, Shenzhen, China

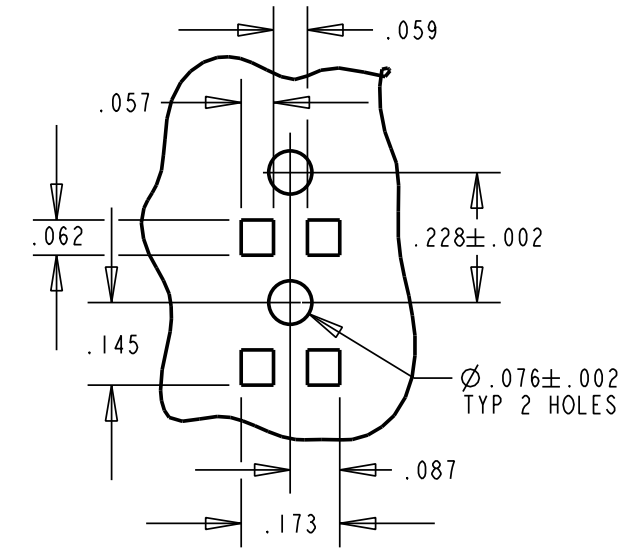
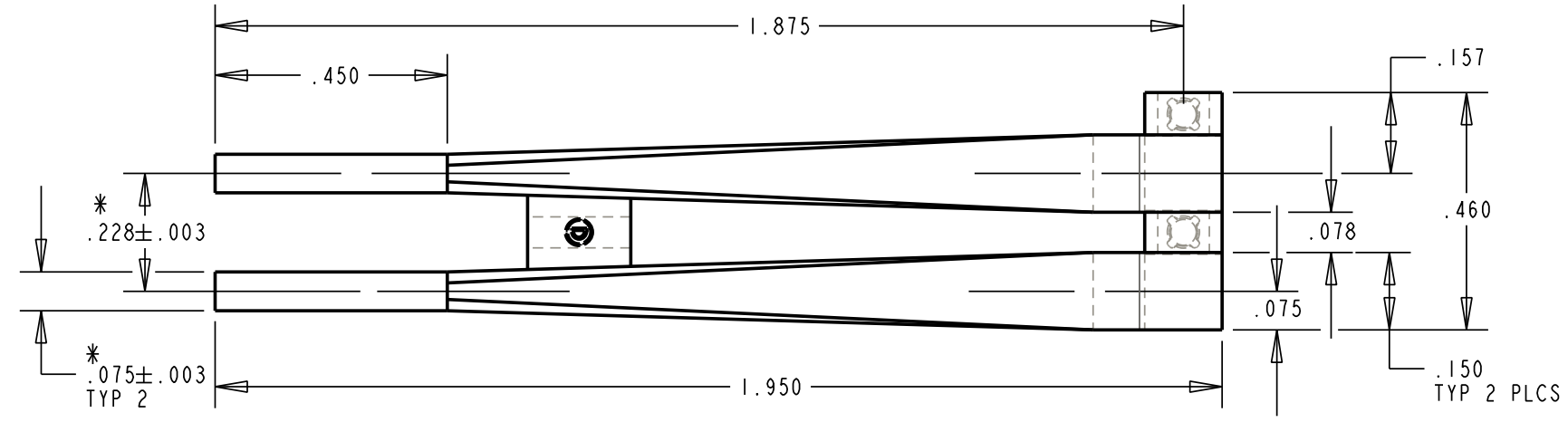


REV.	ECN NO.	REVISIONS	DRN.	CKD.	APP.	DATE
A		NEW RELEASE	ADM	YS	N.O.	10-19-01
B		ADDED: TOL. +.005/-.010 TO .110; ADDED: .015 DIM & DIALIGHT LOGO; REMOVED .125 (PIN) DIM.	ADM			

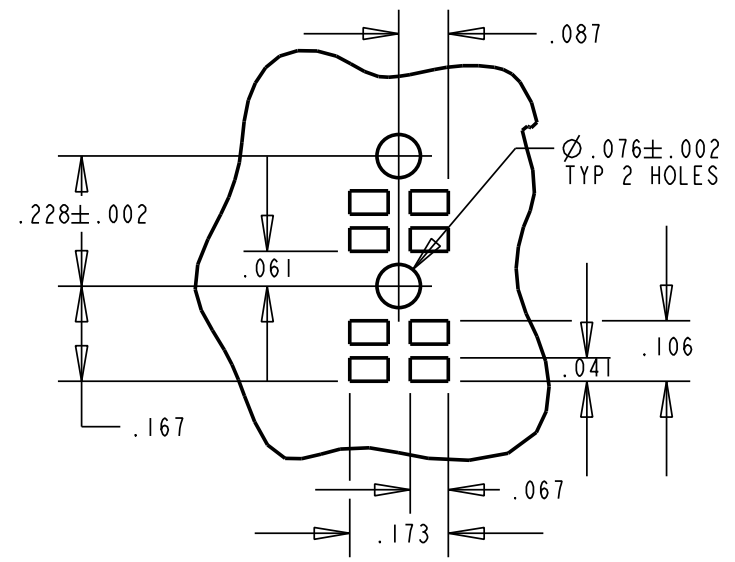
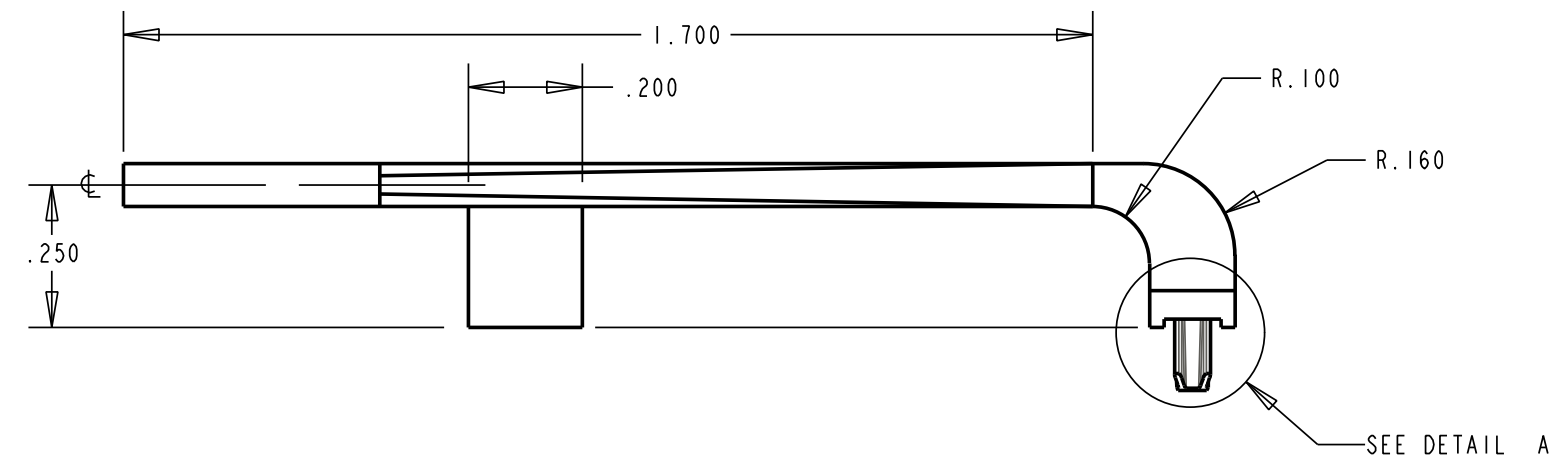
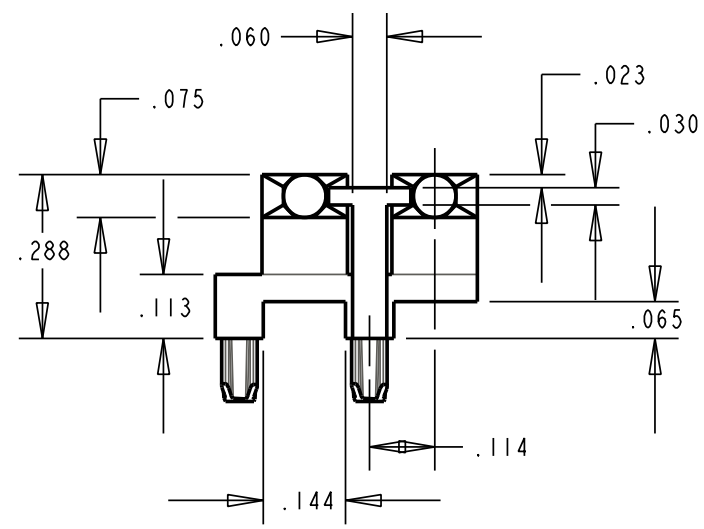
- NOTES:
1. MATERIAL: COMPONENT TO BE MOLDED IN A CLEAR TRANSMISSIVE POLYCARBONATE.
2. COMPONENT DESIGNED TO BE PRESSED INTO A P.C. BOARD.
3. LIGHTSOURCE: RED/GREEN SMT BI-COLOR LED; DIALIGHT P/N: 597-77X1-5XX AND YELLOW SMT SINGLE COLOR LED; DIALIGHT P/N 597-3XX1-5XX.
4. LIGHTPIPE REFERENCE DIALIGHT P/N 515-1126.



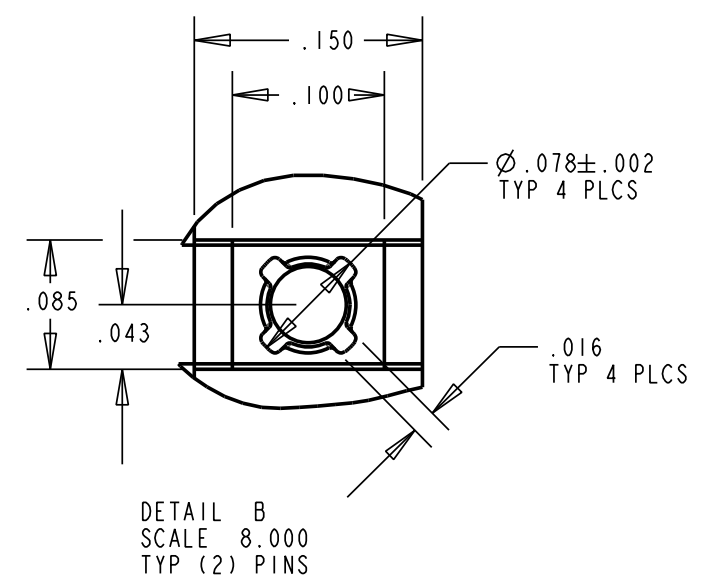
SCALE 2.000



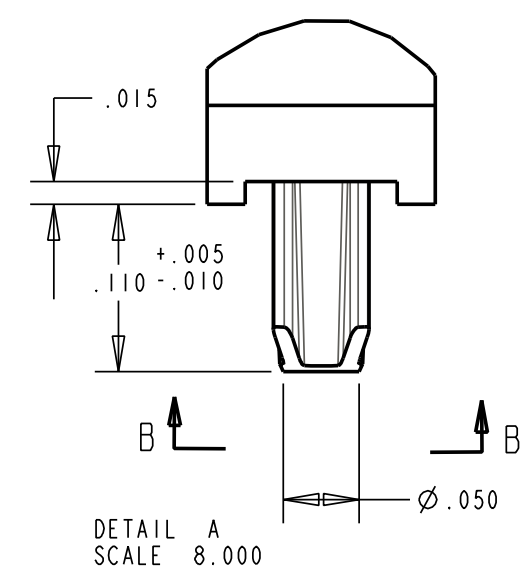
SOLDER PAD LAYOUT
SINGLE COLOR LED
SCALE 3:0



SOLDER PAD LAYOUT
BI-COLOR LED
SCALE 3:0



DETAIL B
SCALE 8.000
TYP (2) PINS



DETAIL A
SCALE 8.000

THIS DRAWING AND THE CONTENTS HEREIN ARE CONFIDENTIAL AND THE SOLE PROPERTY OF DIALIGHT. REPRODUCTION OF THIS DRAWING OR CONSTRUCTION OF ANY PARTS WITHIN THIS DRAWING ARE FORBIDDEN WITHOUT THE WRITTEN CONSENT OF DIALIGHT.		
SCALE: 3.000 ALL DIM'S IN: INCHES MM	DRAWING NUMBER C16870	REV B
TOLERANCES: UNLESS OTHERWISE SPECIFIED FRACTIONS: ±1/64 DECIMALS (.XX): ±.01 DECIMALS (.XXX): ±.005 DECIMALS (.XXXX): ±.0005 ANGLES: ±1°	TITLE DIALIGHT LIGHT PIPE	MATERIAL SEE NOTE 1
FINISH:		
FSCM 83330	1501 ROUTE 34 SOUTH FARMINGDALE, NJ 07727	
SHEET 1 OF 1 FAMILY TABLE:		