



Chipsmall Limited consists of a professional team with an average of over 10 year of expertise in the distribution of electronic components. Based in Hongkong, we have already established firm and mutual-benefit business relationships with customers from,Europe,America and south Asia,supplying obsolete and hard-to-find components to meet their specific needs.

With the principle of “Quality Parts,Customers Priority,Honest Operation,and Considerate Service”,our business mainly focus on the distribution of electronic components. Line cards we deal with include Microchip,ALPS,ROHM,Xilinx,Pulse,ON,Everlight and Freescale. Main products comprise IC,Modules,Potentiometer,IC Socket,Relay,Connector.Our parts cover such applications as commercial,industrial, and automotives areas.

We are looking forward to setting up business relationship with you and hope to provide you with the best service and solution. Let us make a better world for our industry!



Contact us

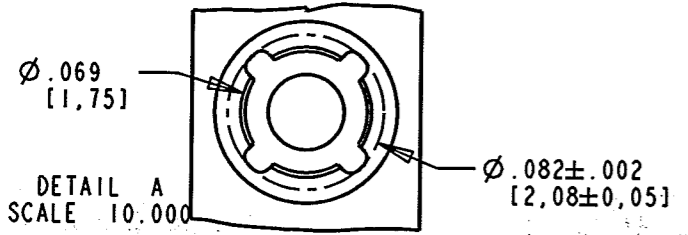
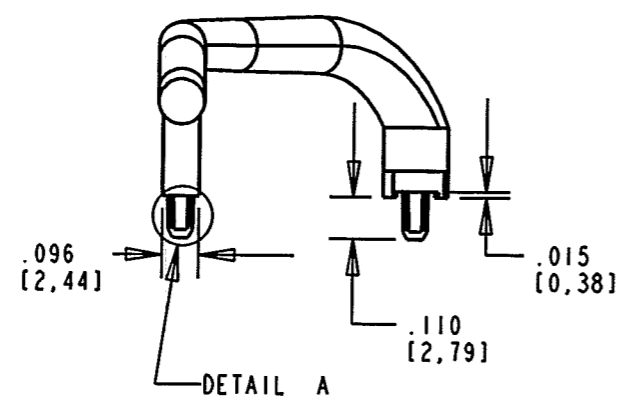
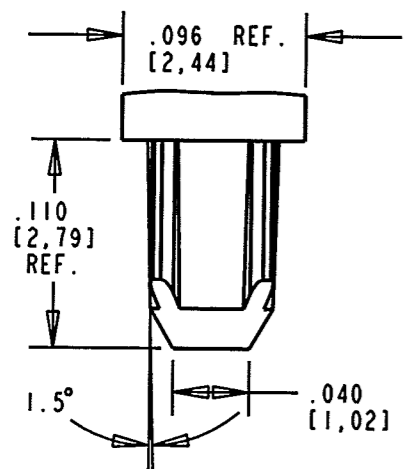
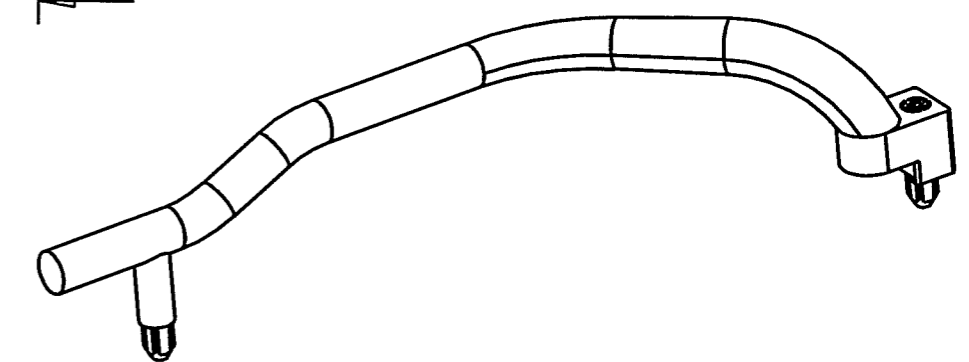
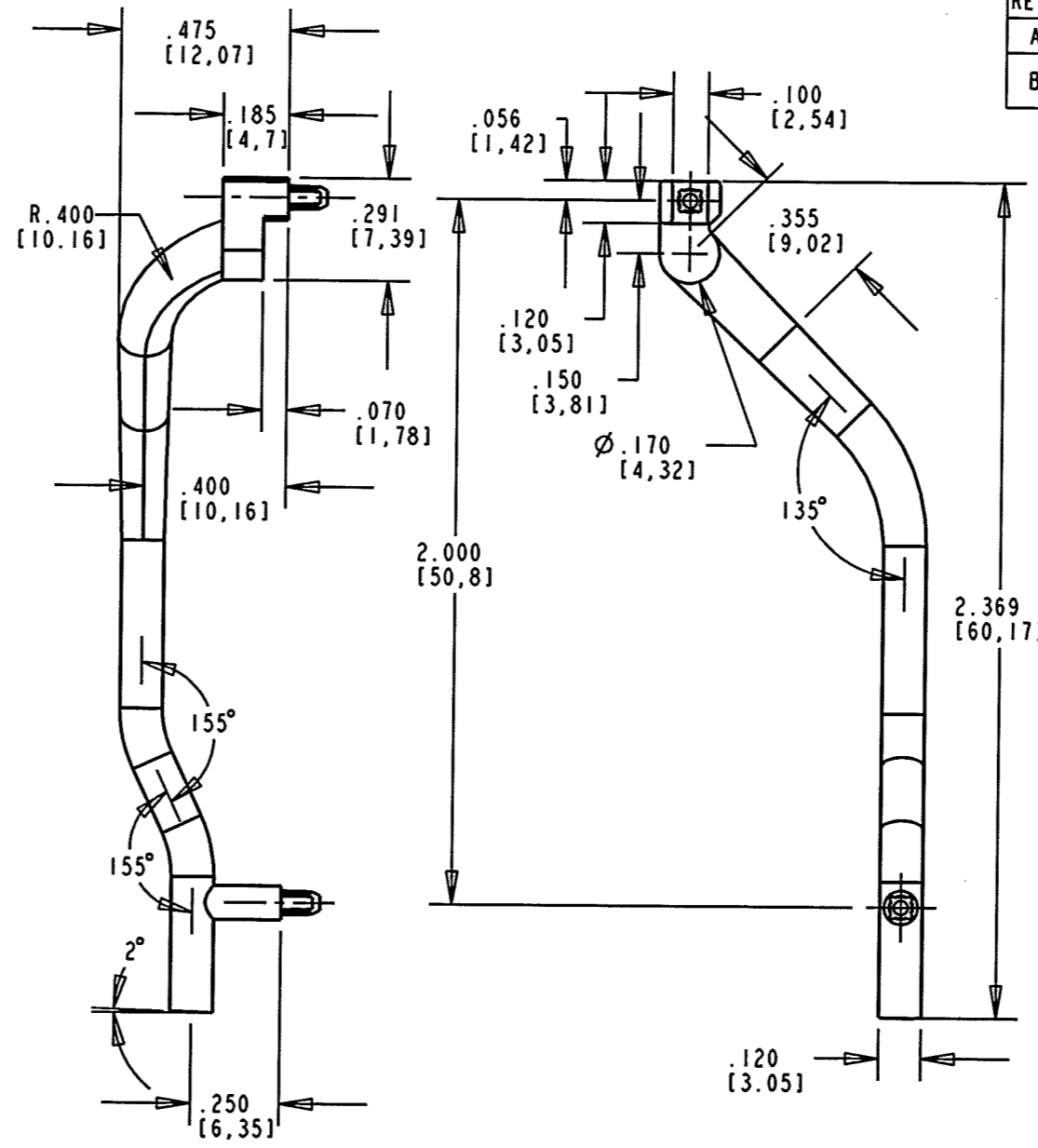
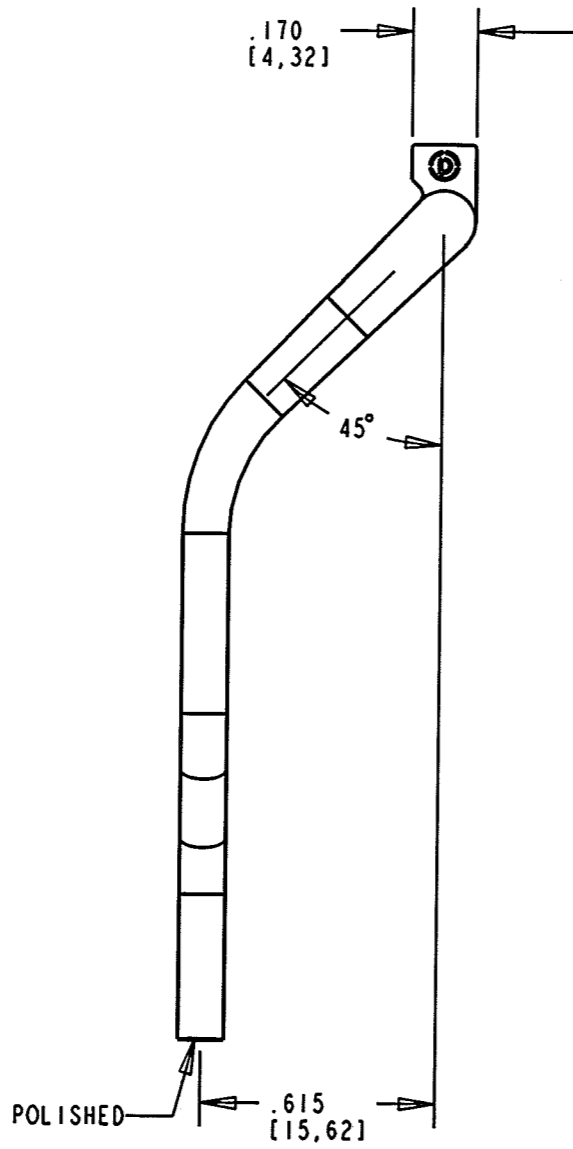
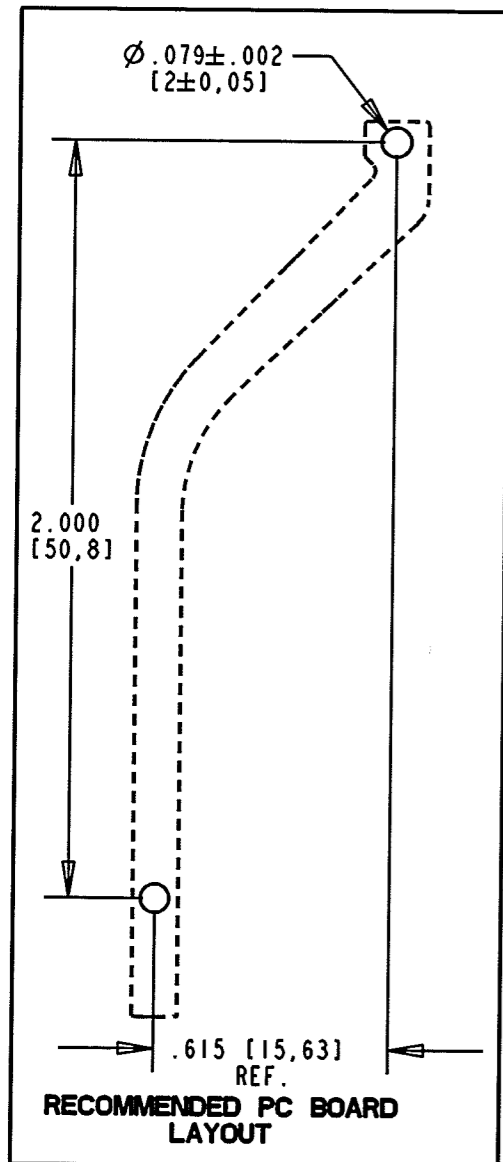
Tel: +86-755-8981 8866 Fax: +86-755-8427 6832

Email & Skype: info@chipsmall.com Web: www.chipsmall.com

Address: A1208, Overseas Decoration Building, #122 Zhenhua RD., Futian, Shenzhen, China



REV.	ECN NO.	REVISIONS	DRN.	CKD.	APP.	DATE
A	—	NEW RELEASE	YIS	JMC	NO	8-21-03
B	—	ADDED DRAFT ANGLE 1.5° AND 0.04 DIA. IN PRESS FIT DETAIL VIEW	YIS	JMC	M.D.	8-22-03



- NOTES:
1. KNOCKOUT PROJECTIONS OR RECESSES NOT TO EXCEED .005.
 2. FLASH NOT TO EXCEED .003.
 3. SINK MARKS NOT TO EXCEED .005 UNLESS OTHERWISE SPECIFIED.
 4. NO BUBBLES IN CRITICAL LIGHTPATH GREATER THAN .005".
 5. UNLESS OTHERWISE SPECIFIED, ALL SURFACES MUST HAVE FINISH OF SPI A2 TO B1.
 6. DIALIGHT LIGHTPIPE PART NUMBER: 515-1135.

THIS DRAWING AND THE CONTENTS HEREIN ARE CONFIDENTIAL AND THE SOLE PROPERTY OF DIALIGHT. REPRODUCTION OF THIS DRAWING OR CONSTRUCTION OF ANY PARTS WITHIN THIS DRAWING ARE FORBIDDEN WITHOUT THE WRITTEN CONSENT OF DIALIGHT.		
SCALE: 2.000 ALL DIM'S IN: INCHES (MM)	DRAWING NUMBER C-17076	REV B
TOLERANCES: UNLESS OTHERWISE SPECIFIED FRACTIONS: ±1/64 DECIMALS (.XX): ±.01 DECIMALS (.XXX): ±.005 DECIMALS (.XXXX): ±.0005 ANGLES: ±1°	TITLE LIGHTPIPE, LEFT SIDE	
FINISH:	MATERIAL CLEAR POLYCARBONATE (UL94 V-0)	
FSCM 83330	SHEET OF	FAMILY: TABLE: 1501 ROUTE 34 SOUTH FARMINGDALE, NJ 07727