



Chipsmall Limited consists of a professional team with an average of over 10 year of expertise in the distribution of electronic components. Based in Hongkong, we have already established firm and mutual-benefit business relationships with customers from,Europe,America and south Asia,supplying obsolete and hard-to-find components to meet their specific needs.

With the principle of “Quality Parts,Customers Priority,Honest Operation,and Considerate Service”,our business mainly focus on the distribution of electronic components. Line cards we deal with include Microchip,ALPS,ROHM,Xilinx,Pulse,ON,Everlight and Freescale. Main products comprise IC,Modules,Potentiometer,IC Socket,Relay,Connector.Our parts cover such applications as commercial,industrial, and automotives areas.

We are looking forward to setting up business relationship with you and hope to provide you with the best service and solution. Let us make a better world for our industry!



Contact us

Tel: +86-755-8981 8866 Fax: +86-755-8427 6832

Email & Skype: info@chipsmall.com Web: www.chipsmall.com

Address: A1208, Overseas Decoration Building, #122 Zhenhua RD., Futian, Shenzhen, China

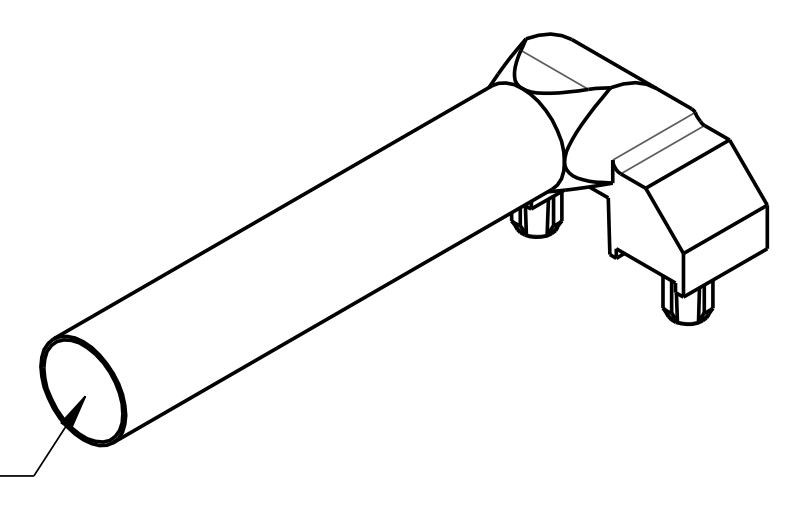
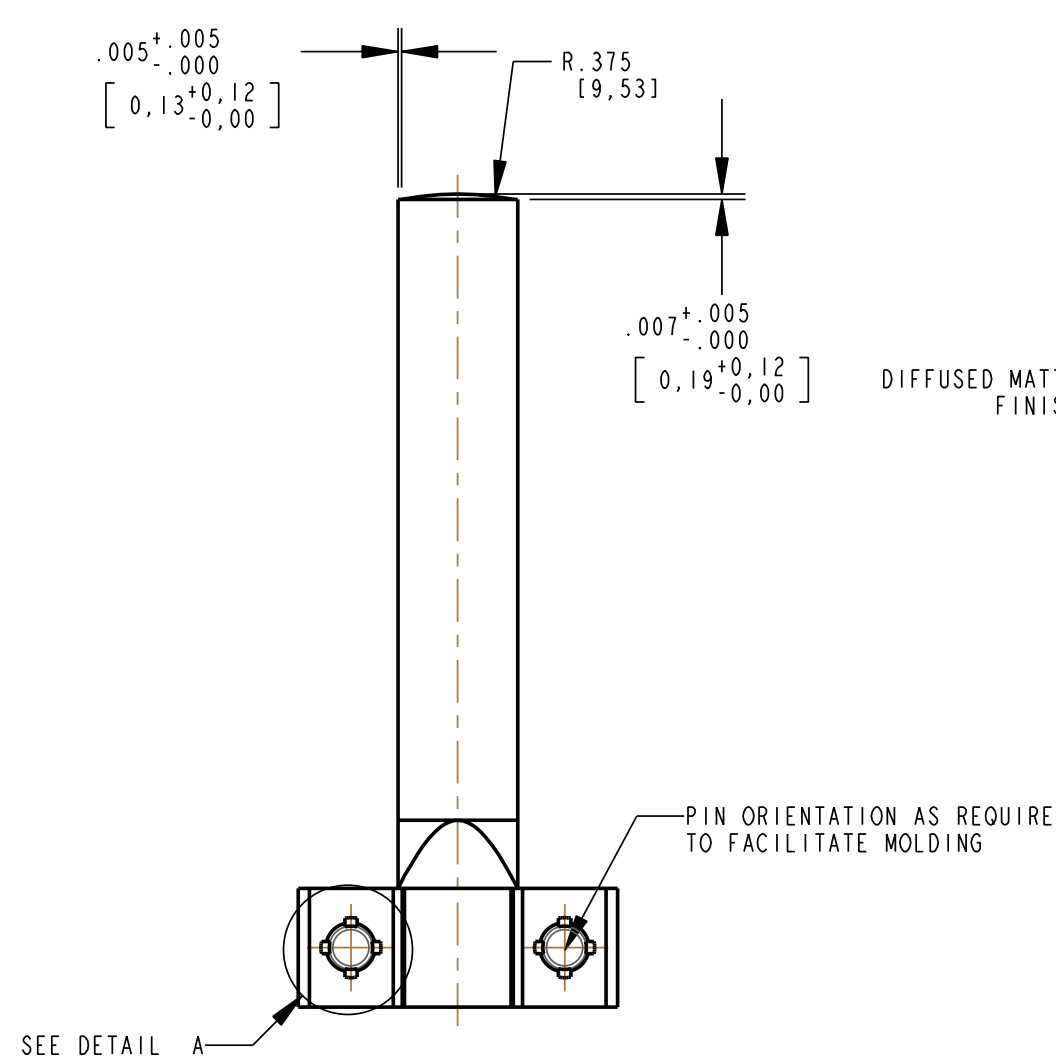
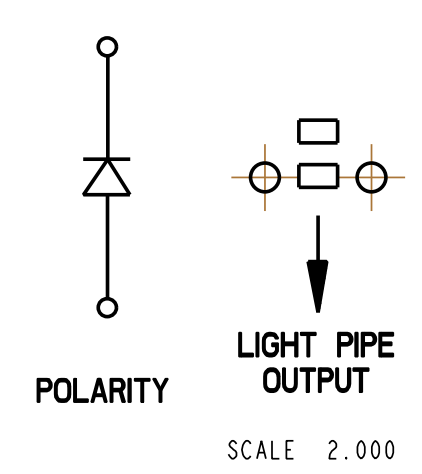
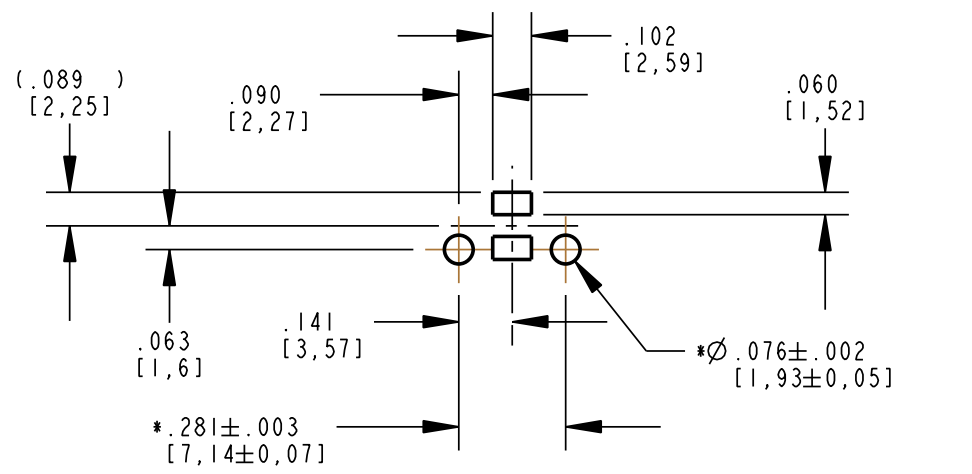
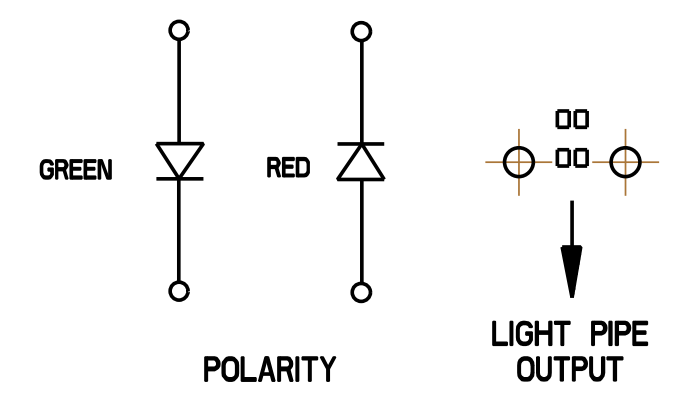
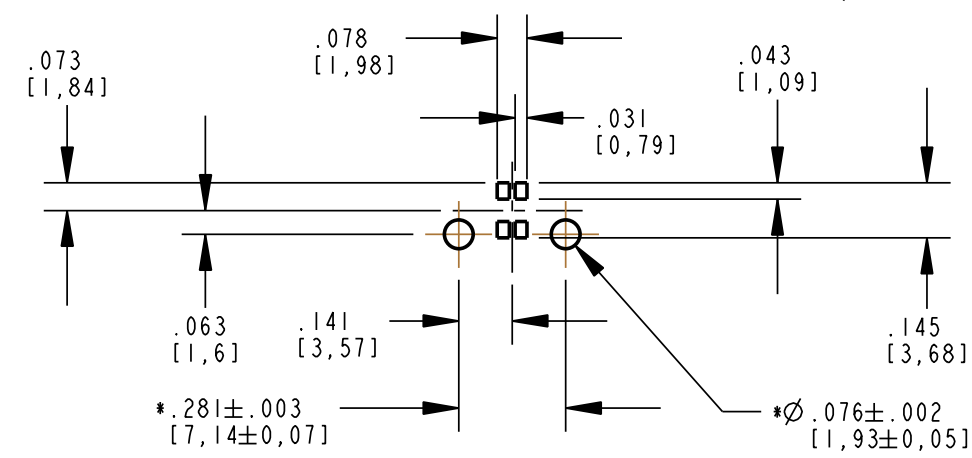
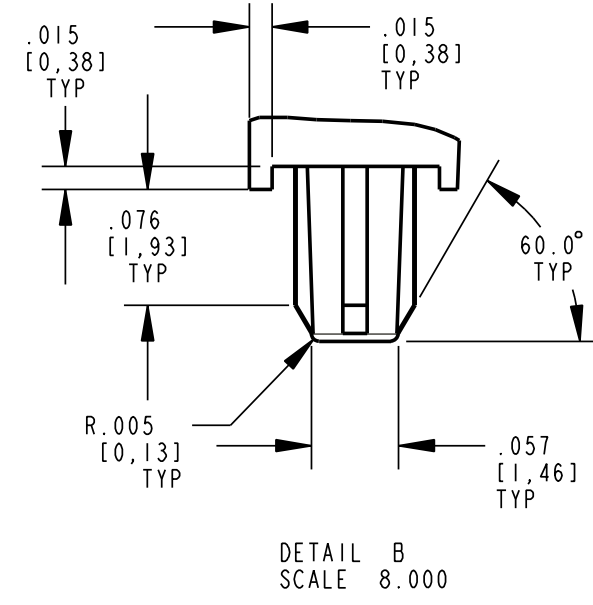
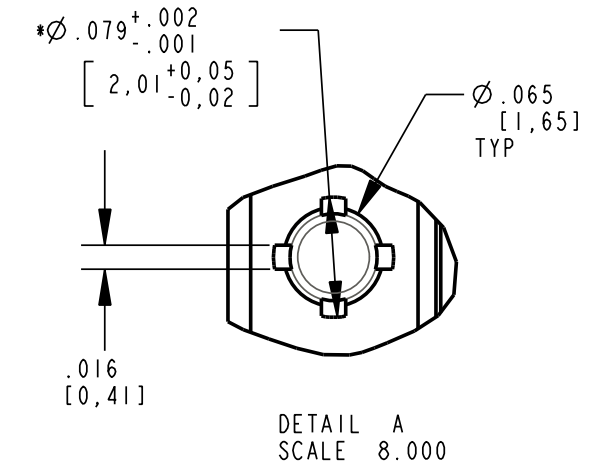
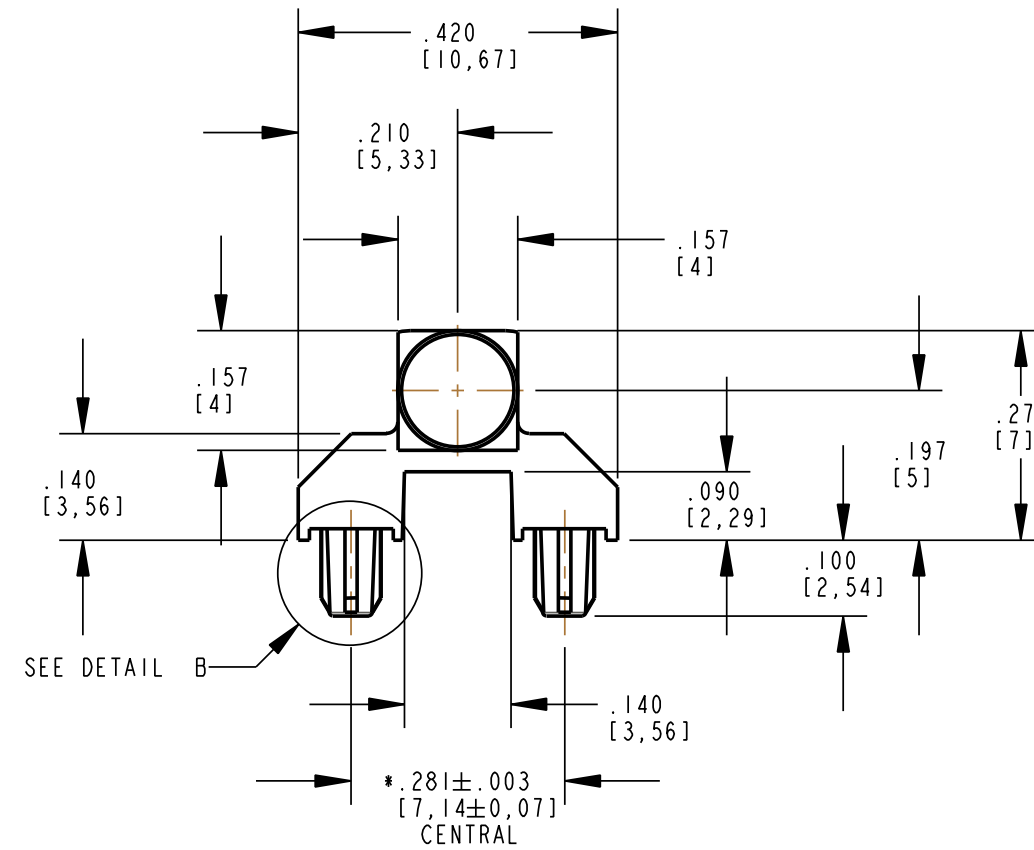
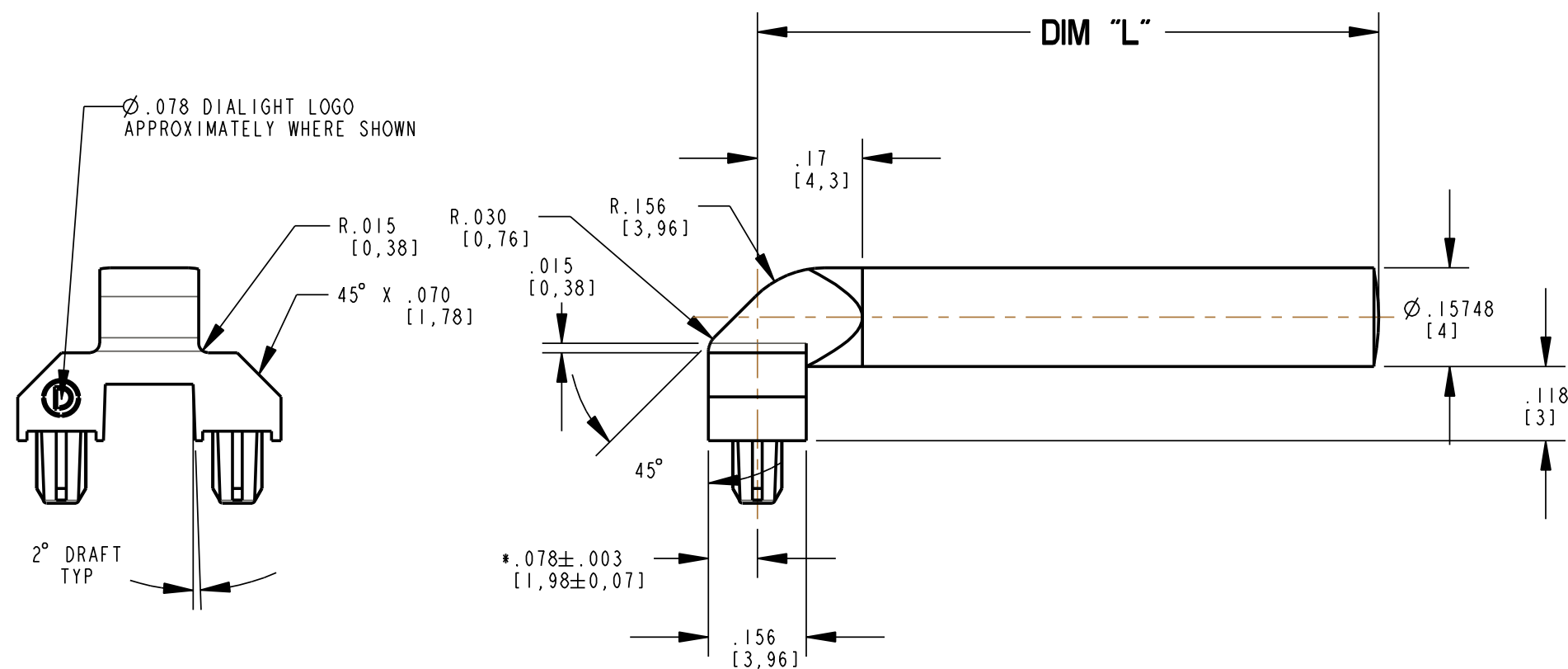


PART NUMBER TABLE			
DIM "L"	DIALIGHT PART NUMBER	DIM "L"	DIALIGHT PART NUMBER
10 mm	-----	18 mm	-----
10.5 mm	-----	18.5 mm	-----
11 mm	-----	19 mm	-----
11.5 mm	-----	19.5 mm	515-1142-195F
12 mm	-----	20 mm	-----
12.5 mm	-----	20.5 mm	-----
13 mm	-----	21 mm	-----
13.5 mm	-----	21.5 mm	-----
14 mm	-----	22 mm	-----
14.5 mm	-----	22.5 mm	-----
15 mm	-----	23 mm	-----
15.5 mm	-----	23.5 mm	-----
16 mm	-----	24 mm	-----
16.5 mm	-----	24.5 mm	-----
17 mm	515-1142-170F	25 mm	515-1142-250F
17.5 mm	-----	-----	-----

NOTES:

- LIGHT PIPE TO BE MOLDED IN A CLEAR, TRANSMISSIVE, UL 94-V0 POLYCARBONATE.
- LIGHT PIPE TO BE PRESSED INTO A .062 OR .093 THICK P.C. BOARD.
- LIGHT SOURCE: PLCC-2, PLCC-4 SMT LED OR EQUIVALENT.
597-3604-307F, BLUE 470nm
597-3323-307F, GREEN 525nm
597-3225-307F, YELLOW 590nm
597-3904-307F, WHITE
- * DENOTES CRITICAL DIMENSION OR SPECIFICATION.
- VARIABLE LENGTH LIGHT PIPE FROM 10mm MINIMUM TO 25 MAXIMUM, BASIC PART NUMBER IS 515-1142-XXXF. EXACT LIGHT PIPE PART NUMBER TO BE DETERMINED BY LENGTH IN mm (DIMENSION "L"). LENGTHS MUST BE IN 0.5mm INCREMENTS. SEE CHART FOR EXACT PART NUMBERS.
- EACH DIFFERENT LENGTH REQUIRES AN ADDITIONAL CORE PIN TOOLING CHARGE.

REV	ECN NO	REVISIONS	DRN	CKD	APP	DATE
A	---	NEW RELEASE	TWC	N.O.	AV	5-11-05
B	---	REVISED TITLE BLOCK; MOVED DRAWING NUMBER; REPLACED DOMED FEATURE ON OUTPUT SURFACE WITH $\phi .145 \times .010$ FEATURE; CORRECTED NOTES	TWC	TC	NO	6-3-05
C	---	ADDED "F" SUFFIX TO P/N FOR ROHS COMPLIANT DESIGNATION, REMOVED P/N'S NOT TOOLED.	MES	TWC	N.O.	6-16-06
D	---	REPLACED $\phi .145 \times .010$ FEATURE WITH ORIGINAL DOMED FEATURE ON OUTPUT SURFACE	TWC			



RoHS Compliant 515-1142-XXXF LIGHTPIPE
 Part Numbers with the "F" suffix ending are RoHS Compliant.
 Example: 515-1142-170F
 Packaging is marked with "RoHS Compliant" label or equivalent markings.

THIS DRAWING AND THE CONTENTS HEREIN ARE CONFIDENTIAL AND THE SOLE PROPERTY OF DIALIGHT. REPRODUCTION OF THIS DRAWING OR CONSTRUCTION OF ANY PARTS WITHIN THIS DRAWING ARE FORBIDDEN WITHOUT THE WRITTEN CONSENT OF DIALIGHT.		
SCALE: 1.000	DRAWING NUMBER: C-17212	REV: D
TOLERANCES: UNLESS OTHERWISE SPECIFIED		
FRACTIONS: $\pm 1/64$		
DECIMALS (.XX): $\pm .01$		
DECIMALS (.XXX): $\pm .005$		
DECIMALS (.XXXX): $\pm .0005$		
ANGLES: $\pm 1^\circ$		
FINISH: N/A		
FSCM: 83330	Dialight 1501 ROUTE 34 SOUTH FARMINGDALE, NJ 07727	
SHEET 1 OF 2 FAMILY TABLE:		