



Chipsmall Limited consists of a professional team with an average of over 10 year of expertise in the distribution of electronic components. Based in Hongkong, we have already established firm and mutual-benefit business relationships with customers from,Europe,America and south Asia,supplying obsolete and hard-to-find components to meet their specific needs.

With the principle of “Quality Parts,Customers Priority,Honest Operation,and Considerate Service”,our business mainly focus on the distribution of electronic components. Line cards we deal with include Microchip,ALPS,ROHM,Xilinx,Pulse,ON,Everlight and Freescale. Main products comprise IC,Modules,Potentiometer,IC Socket,Relay,Connector.Our parts cover such applications as commercial,industrial, and automotives areas.

We are looking forward to setting up business relationship with you and hope to provide you with the best service and solution. Let us make a better world for our industry!



Contact us

Tel: +86-755-8981 8866 Fax: +86-755-8427 6832

Email & Skype: info@chipsmall.com Web: www.chipsmall.com

Address: A1208, Overseas Decoration Building, #122 Zhenhua RD., Futian, Shenzhen, China



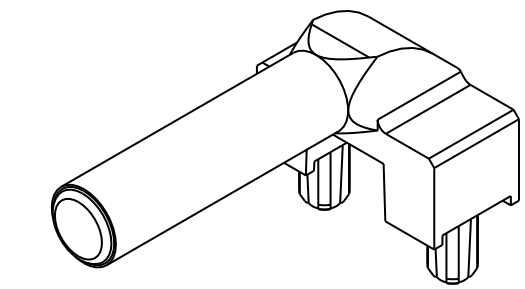
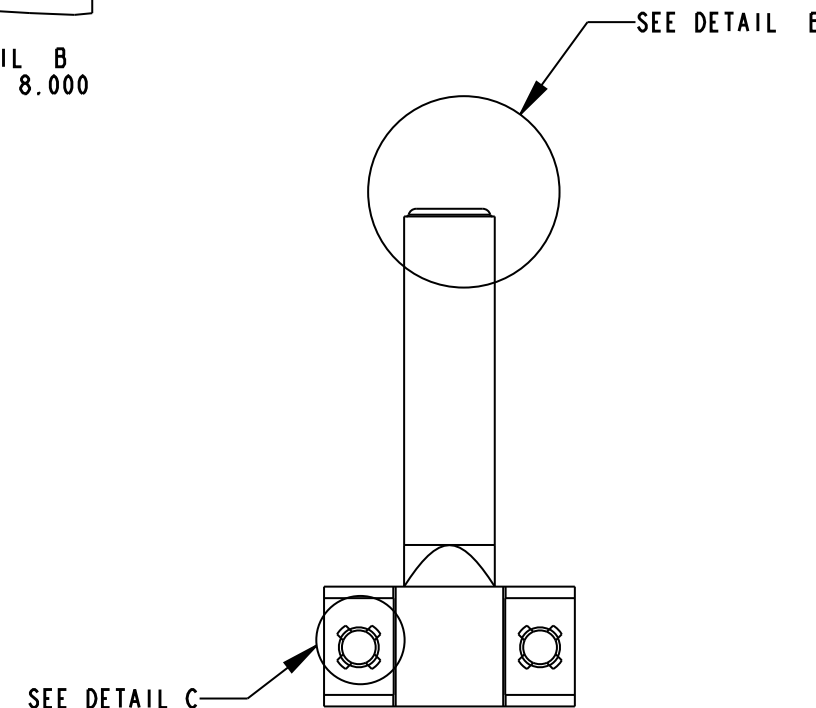
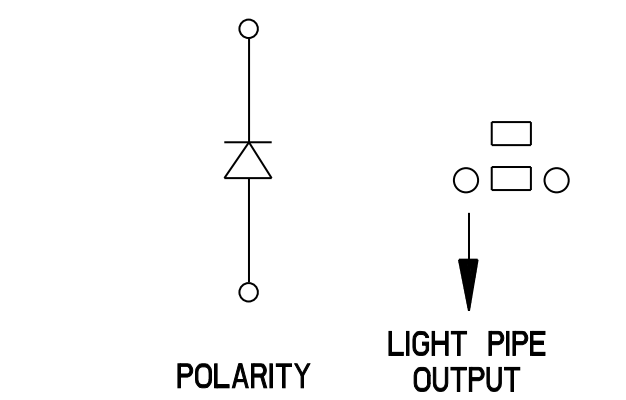
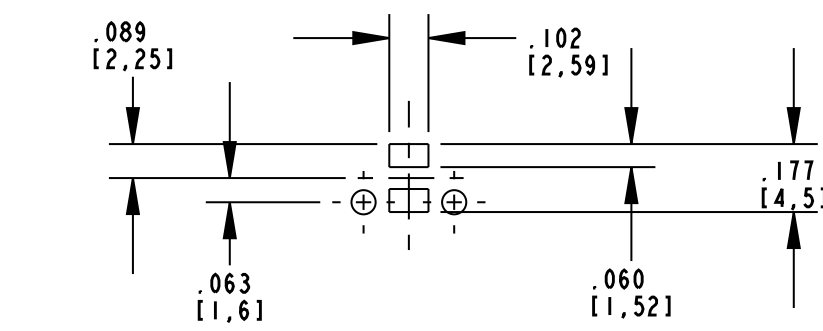
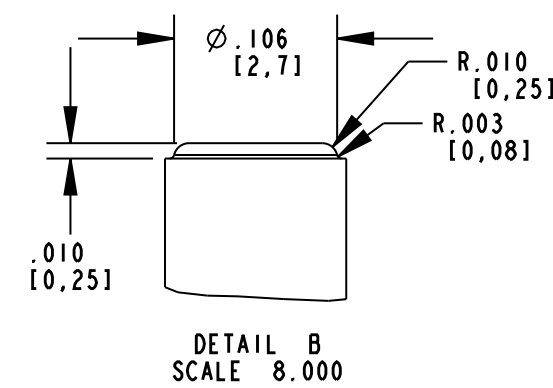
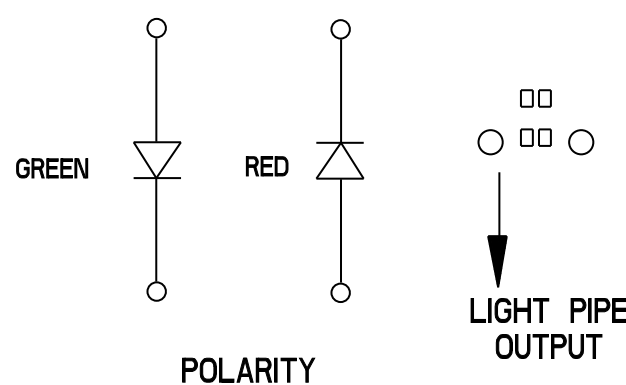
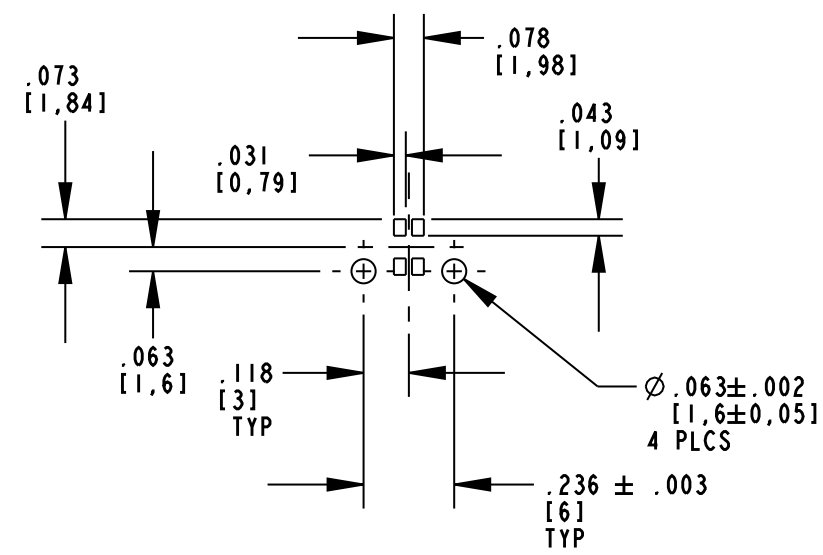
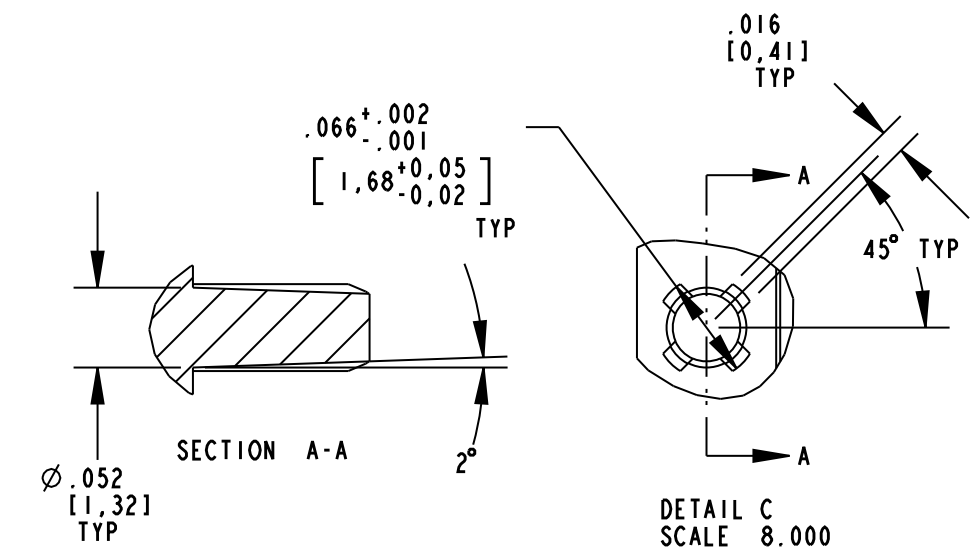
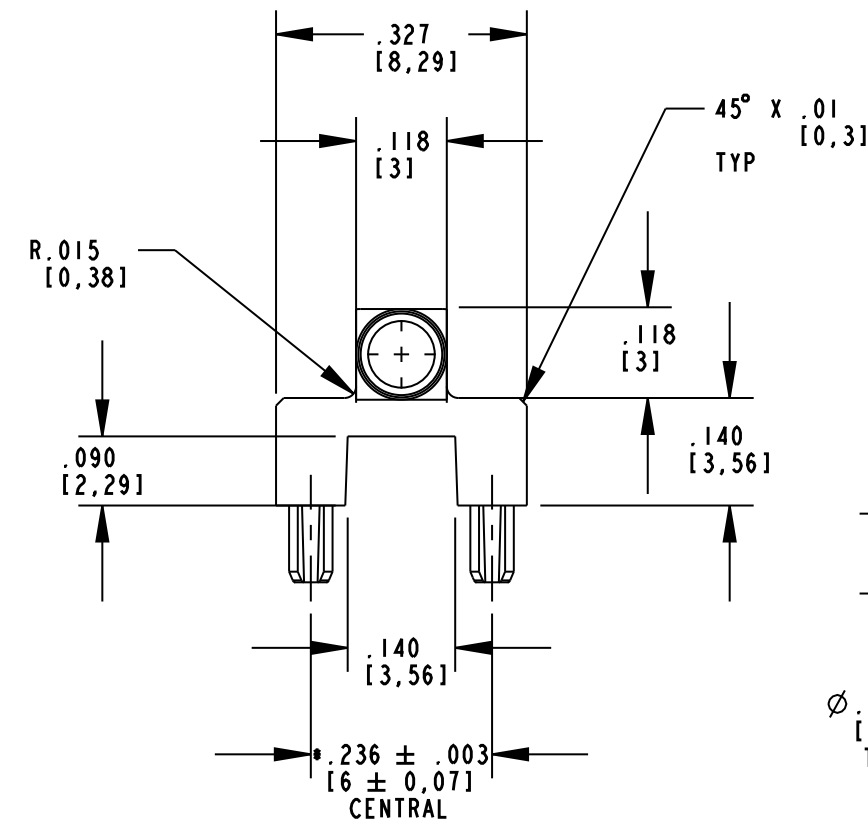
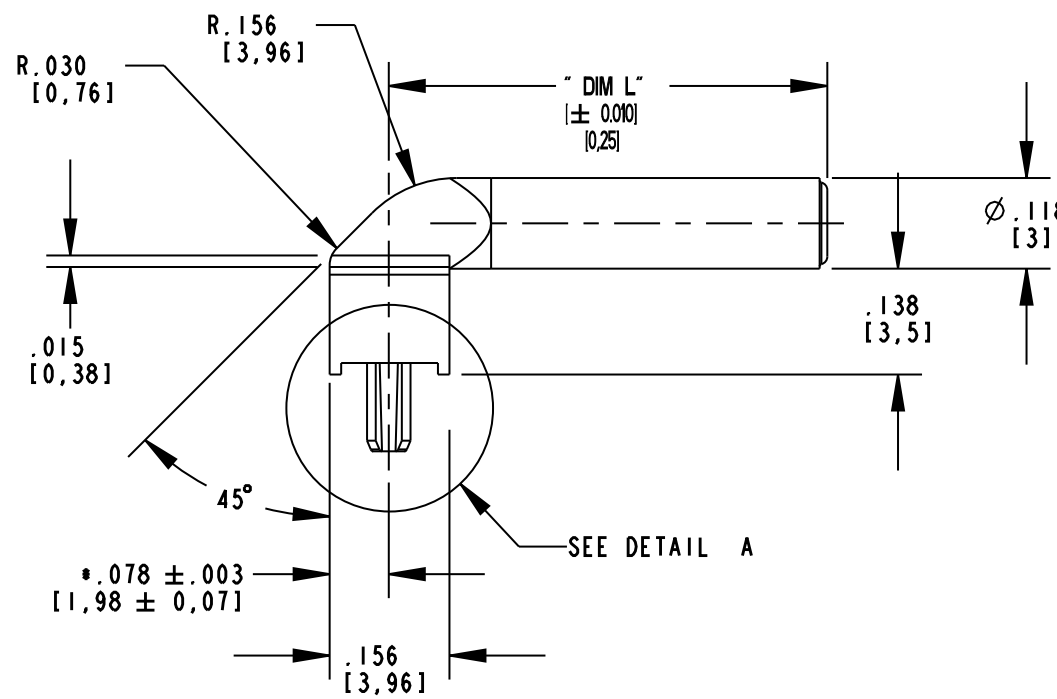
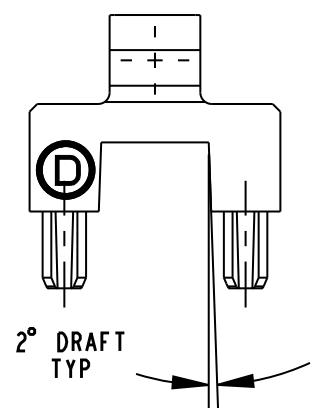
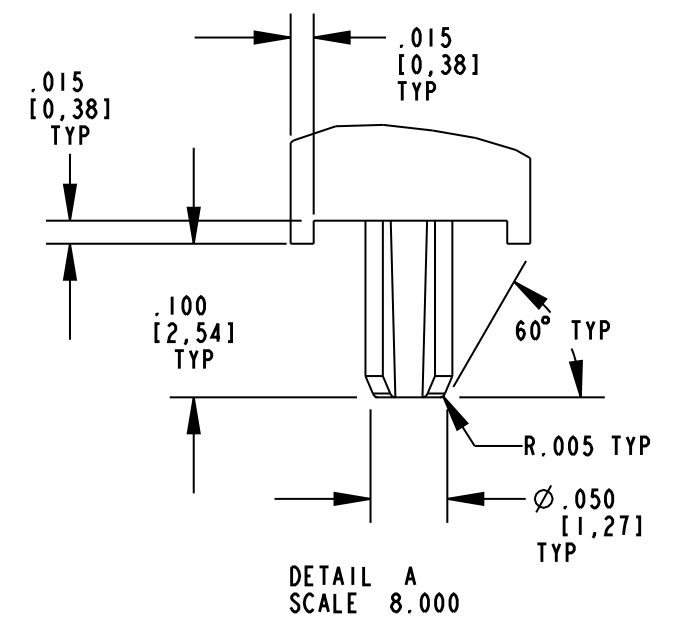
PART NUMBER TABLE

DIM "L"	DIALIGHT PART NUMBER	DIM "L"	DIALIGHT PART NUMBER
10 mm		18 mm	
10.5 mm		18.5 mm	
11 mm		19 mm	
11.5 mm	515-1150-115F	19.5 mm	
12 mm		20 mm	
12.5 mm		20.5 mm	
13 mm		21 mm	
13.5 mm		21.5 mm	
14 mm	515-1150-140F	22 mm	
14.5 mm		22.5 mm	
15 mm		23 mm	
15.5 mm		23.5 mm	
16 mm		24 mm	
16.5 mm		24.5 mm	
17 mm	515-1150-170F	25 mm	
17.5 mm			

NOTES:

1. LIGHT PIPE TO BE MOLDED IN A CLEAR, TRANSMISSIVE, UL 94-V0 POLYCARBONATE.
2. LIGHT PIPE TO BE PRESSED INTO A .062 OR .093 THICK P.C. BOARD.
3. LIGHT SOURCE: PLCC-2, PLCC-4 SMT LED OR EQUIVALENT.
597-3604-307, BLUE 470nm
597-3323-307, GREEN 525nm
597-3225-307, YELLOW 590nm
597-3904-307, WHITE
4. * DENOTES CRITICAL DIMENSION OR SPECIFICATION.
5. VARIABLE LENGTH LIGHT PIPE FROM 10mm MINIMUM TO 25 MAXIMUM, BASIC PART NUMBER IS 515-1150-XXX
EXACT LIGHT PIPE PART NUMBER TO BE DETERMINED BY LENGTH IN mm (DIMENSION "L").
LENGTHS MUST BE IN 0.5mm INCREMENTS. SEE CHART FOR EXACT PART NUMBERS.
6. EACH DIFFERENT LENGTH REQUIRES AN ADDITIONAL CORE PIN TOOLING CHARGE.

REV	ECN NO	REVISIONS	DRN	CKD	APP	DATE
A		NEW RELEASE	ALV	N.O.	MES	10-2-06
B		ADDED P/N 515-1150-170F	KLJ	NO	MES	6-12-08
C		ADDED P/N 515-1150-115F	AJF	KLJ	NO	8-10-09



RoHS COMPLIANT 515-1150-XXXF 3mm Lightpipe
Part Numbers with the "F" suffix ending are RoHS Compliant.
Example: 515-1150-140F
Packaging is marked with "RoHS Compliant" label or equivalent markings.
Parts can be reflow soldered per RoHS reflow profile, wave soldered, dip soldered or hand soldered using typical lead-free soldering process with max 260°C temp. for 10-20 sec.

THIS DRAWING AND THE CONTENTS HEREIN ARE CONFIDENTIAL AND THE SOLE PROPERTY OF DIALIGHT. REPRODUCTION OF THIS DRAWING OR CONSTRUCTION OF ANY PARTS WITHIN THIS DRAWING ARE FORBIDDEN WITHOUT THE WRITTEN CONSENT OF DIALIGHT.

SCALE: 4.000	DRAWING NUMBER	REV
ALL DIM'S IN: INCHES (MM)	C-17312	C
TOLERANCES: UNLESS OTHERWISE SPECIFIED	TITLE LIGHTPIPE, 3MM DIA 5MM CL RoHS COMPLIANT	
FRACTIONS: ±1/64	MATERIAL SEE NOTES	
DECIMALS (.XX): ±.01	Dialight	
DECIMALS (.XXX): ±.005	1501 ROUTE 34 SOUTH FARMINGDALE, NJ 07727	
DECIMALS (.XXXX): ±.0005	FSCM 83330	
ANGLES: ±1°	SHEET 1 OF 1 FAMILY TABLE:	