



Chipsmall Limited consists of a professional team with an average of over 10 year of expertise in the distribution of electronic components. Based in Hongkong, we have already established firm and mutual-benefit business relationships with customers from,Europe,America and south Asia,supplying obsolete and hard-to-find components to meet their specific needs.

With the principle of “Quality Parts,Customers Priority,Honest Operation,and Considerate Service”,our business mainly focus on the distribution of electronic components. Line cards we deal with include Microchip,ALPS,ROHM,Xilinx,Pulse,ON,Everlight and Freescale. Main products comprise IC,Modules,Potentiometer,IC Socket,Relay,Connector.Our parts cover such applications as commercial,industrial, and automotives areas.

We are looking forward to setting up business relationship with you and hope to provide you with the best service and solution. Let us make a better world for our industry!



## Contact us

Tel: +86-755-8981 8866 Fax: +86-755-8427 6832

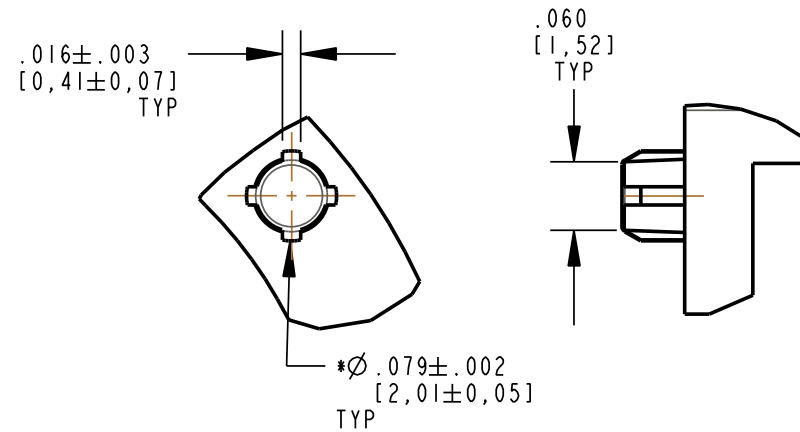
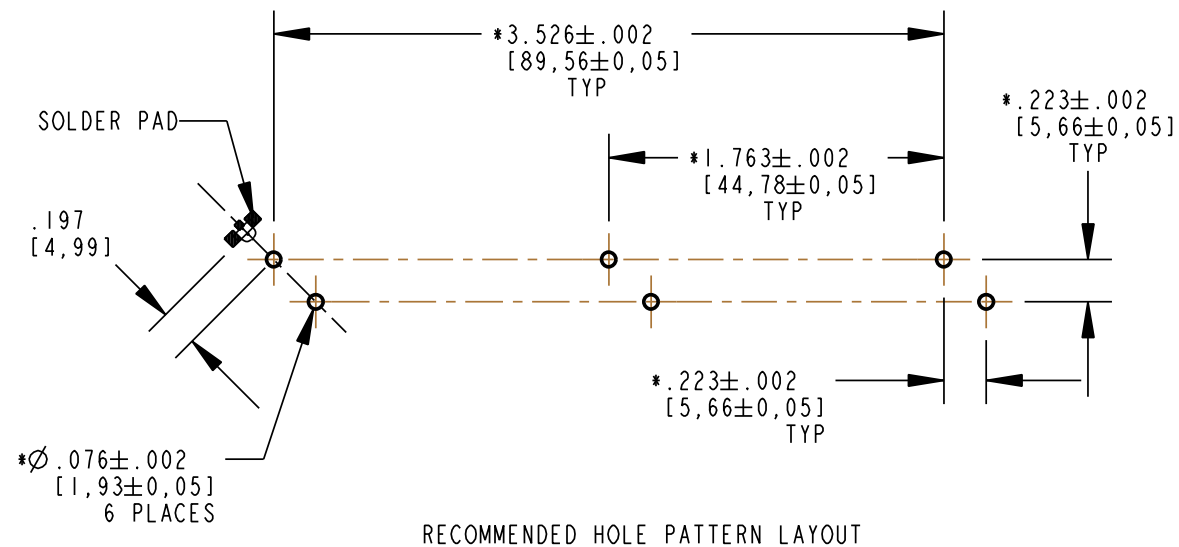
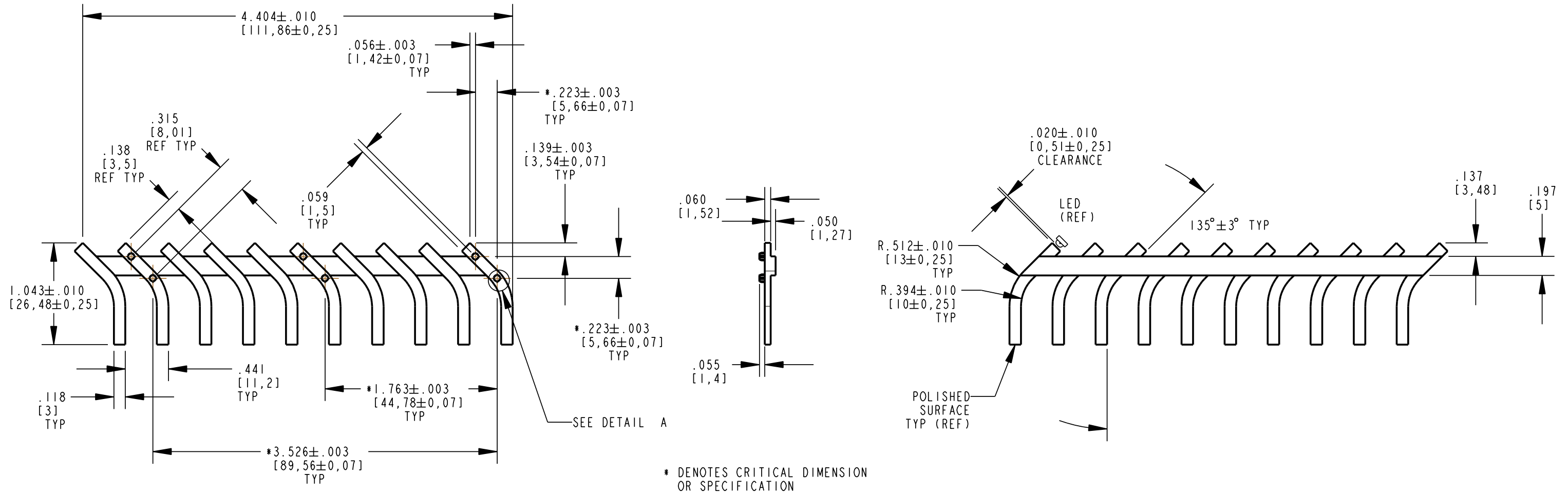
Email & Skype: info@chipsmall.com Web: www.chipsmall.com

Address: A1208, Overseas Decoration Building, #122 Zhenhua RD., Futian, Shenzhen, China




REV	ECN NO	REVISIONS	DRN	CKD	APP	DATE
A		NEW RELEASE	TWC			

- NOTES:
1. COMPONENT MOLDED IN A CLEAR TRANSMISSIVE POLYCARBONATE, UL 94V-0 GRADE.
  2. COMPONENT DESIGNED TO BE PRESSED INTO P.C. BOARD.
  3. DIALIGHT LIGHTPIPE PART NUMBER: 515-1153F
  4. RECOMMENDED LIGHT SOURCE: RT. ANGLE 1208 PKG (.120 X .080 X .040" HIGH)
  5. 597-2751-602F FOR 20 PC SAMPLE STRIP, -607F FOR FULL REEL R/G BI-COLOR  
597-2712-602F FOR 20 PC SAMPLE STRIP, -607F FOR FULL REEL R/G/B TRI-COLOR
  6. ALL SURFACES ARE POLISHED WITH EXCEPTION OF PRESS FIT PINS.



**RoHS Compliant 515-1153F**  
 Part Numbers with the "F" suffix ending are RoHS Compliant.  
 Packaging is marked with "RoHS Compliant" label or equivalent markings.

THIS DRAWING AND THE CONTENTS HEREIN ARE CONFIDENTIAL AND THE SOLE PROPERTY OF DIALIGHT. REPRODUCTION OF THIS DRAWING OR CONSTRUCTION OF ANY PARTS WITHIN THIS DRAWING ARE FORBIDDEN WITHOUT THE WRITTEN CONSENT OF DIALIGHT.		
SCALE: 1.000 ALL DIM'S IN: INCHES (MM)	DRAWING NUMBER C-17352	REV A
TOLERANCES: UNLESS OTHERWISE SPECIFIED FRACTIONS: ±1/64 DECIMALS (.XX): ±.01 DECIMALS (.XXX): ±.005 DECIMALS (.XXXX): ±.0005 ANGLES: ±1°	TITLE LIGHTPIPE, ANGLED, 10 POSITION RoHS COMPLIANT	
FINISH:	MATERIAL	
FSCM 83330	 1501 ROUTE 34 SOUTH FARMINGDALE, NJ 07727	
SHEET 1 OF 1 FAMILY TABLE:		