



Chipsmall Limited consists of a professional team with an average of over 10 year of expertise in the distribution of electronic components. Based in Hongkong, we have already established firm and mutual-benefit business relationships with customers from,Europe,America and south Asia,supplying obsolete and hard-to-find components to meet their specific needs.

With the principle of “Quality Parts,Customers Priority,Honest Operation,and Considerate Service”,our business mainly focus on the distribution of electronic components. Line cards we deal with include Microchip,ALPS,ROHM,Xilinx,Pulse,ON,Everlight and Freescale. Main products comprise IC,Modules,Potentiometer,IC Socket,Relay,Connector.Our parts cover such applications as commercial,industrial, and automotives areas.

We are looking forward to setting up business relationship with you and hope to provide you with the best service and solution. Let us make a better world for our industry!



## Contact us

Tel: +86-755-8981 8866 Fax: +86-755-8427 6832

Email & Skype: info@chipsmall.com Web: www.chipsmall.com

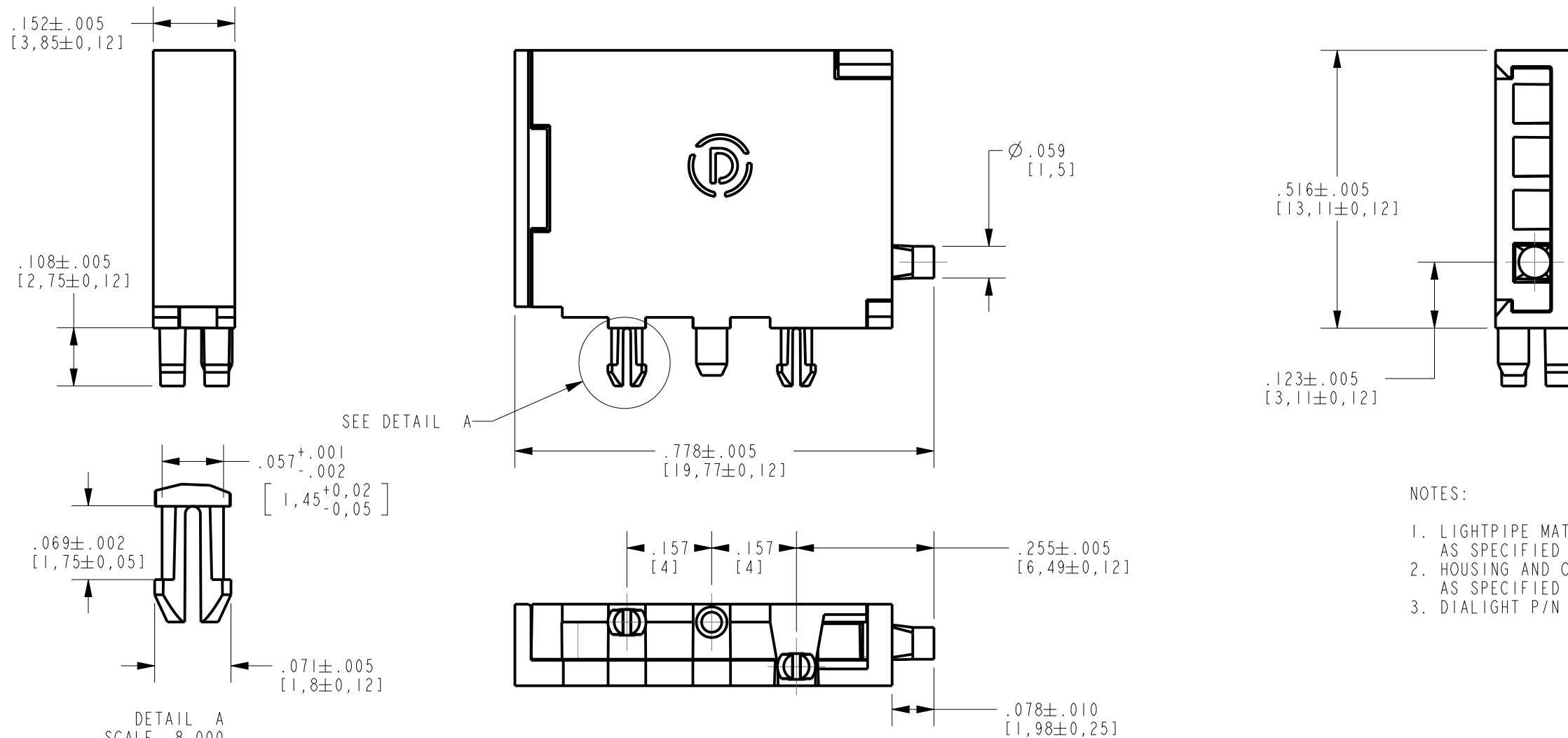
Address: A1208, Overseas Decoration Building, #122 Zhenhua RD., Futian, Shenzhen, China



**RoHS COMPLIANT 515-1231F LIGHT PIPE ASSEMBLY**

Part Numbers with the "F" suffix ending are RoHS Compliant. Packaging is marked with "RoHS Compliant" label or equivalent markings.

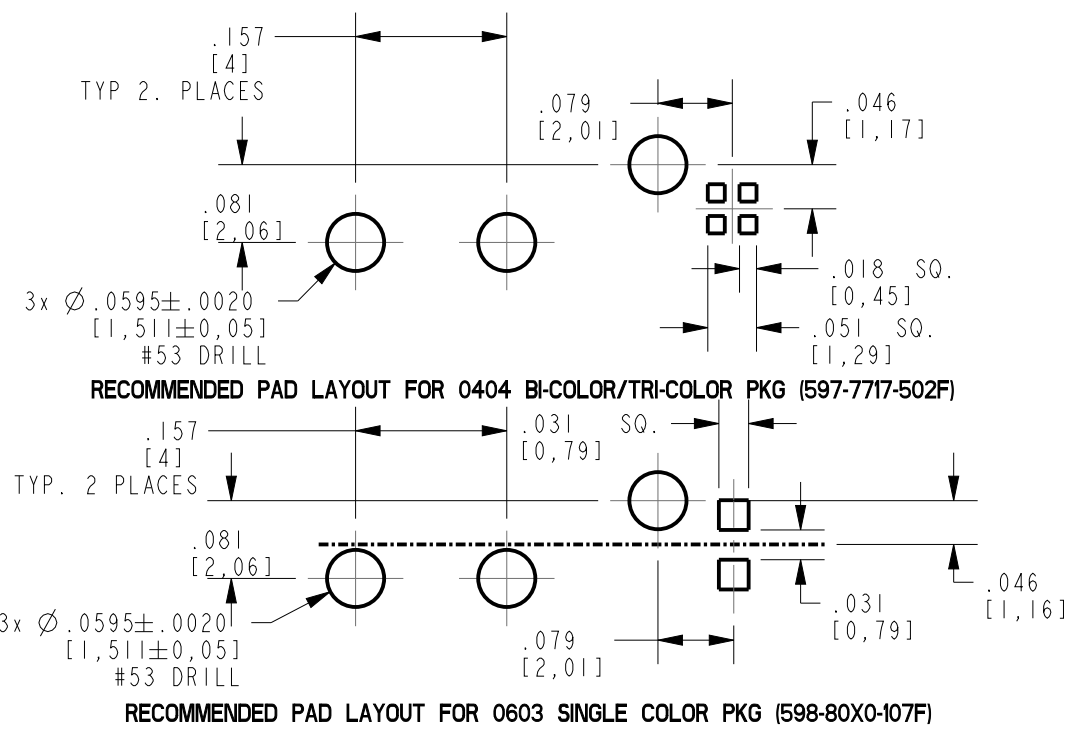
REV	ECN NO	REVISIONS	DRN	CKD	APP	DATE
A		NEW RELEASE	BP		NO	6-29-17



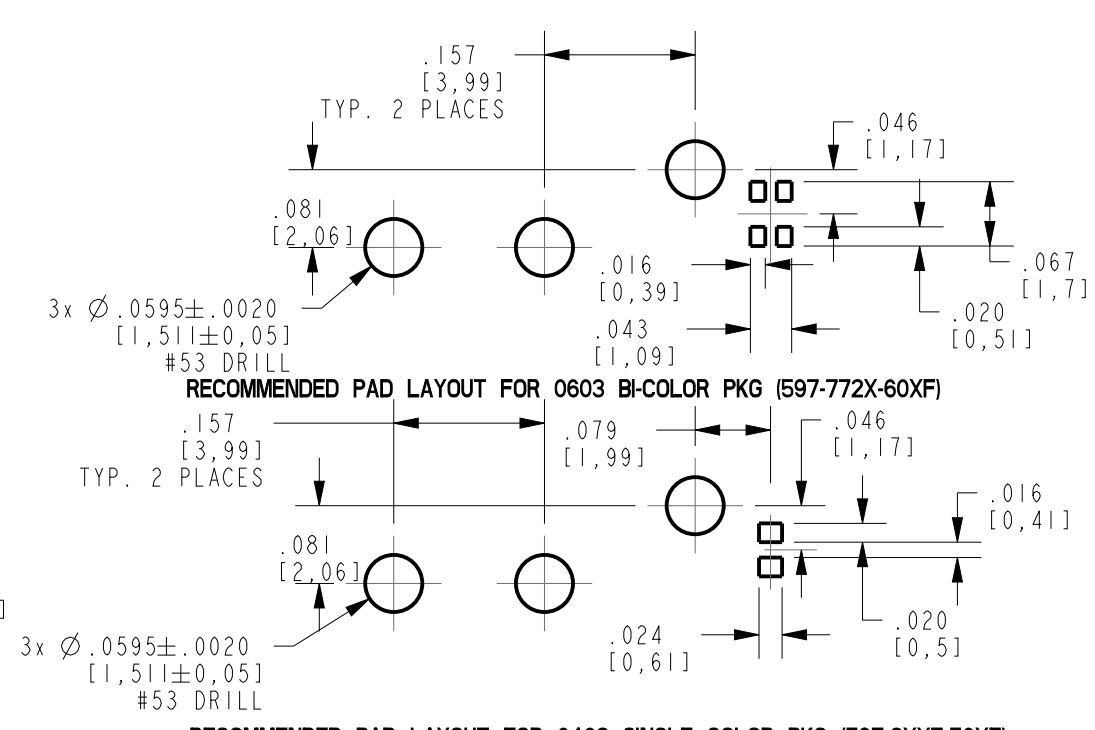
**NOTES:**

1. LIGHTPIPE MATERIAL TO BE CLEAR POLYCARBONATE OR EQUIVALENT. AS SPECIFIED BY DIALIGHT ENGINEERING DEPT.
2. HOUSING AND COVER TO BE BLACK POLYCARBONATE OR EQUIVALENT. AS SPECIFIED BY DIALIGHT ENGINEERING DEPT.
3. DIALIGHT P/N 515-1231F

DETAIL A  
SCALE 8.000



DIRECTION OF LIGHT



DIRECTION OF LIGHT

THIS DRAWING AND THE CONTENTS HEREIN ARE CONFIDENTIAL AND THE SOLE PROPERTY OF DIALIGHT. REPRODUCTION OF THIS DRAWING OR CONSTRUCTION OF ANY PARTS WITHIN THIS DRAWING ARE FORBIDDEN WITHOUT THE WRITTEN CONSENT OF DIALIGHT.		
SCALE: 4.000	DRAWING NUMBER	REV
ALL DIM'S IN: INCHES (MM)	C-18330	A
TOLERANCES: UNLESS OTHERWISE SPECIFIED	TITLE	
FRACTIONS: ±1/64	LP I HIGH/ BARRIER ASSEMBLY	
DECIMALS (.XX): ±.01	MATERIAL	
DECIMALS (.XXX): ±.003	Dialight	
DECIMALS (.XXXX): ±.0005	1501 ROUTE 34 SOUTH	
ANGLES: ±1°	FARMINGDALE, NJ 07727	
FINISH:	FSCM 83330	SHEET 1 OF 1 FAMILY TABLE: