



Chipsmall Limited consists of a professional team with an average of over 10 year of expertise in the distribution of electronic components. Based in Hongkong, we have already established firm and mutual-benefit business relationships with customers from,Europe,America and south Asia,supplying obsolete and hard-to-find components to meet their specific needs.

With the principle of “Quality Parts,Customers Priority,Honest Operation,and Considerate Service”,our business mainly focus on the distribution of electronic components. Line cards we deal with include Microchip,ALPS,ROHM,Xilinx,Pulse,ON,Everlight and Freescale. Main products comprise IC,Modules,Potentiometer,IC Socket,Relay,Connector.Our parts cover such applications as commercial,industrial, and automotives areas.

We are looking forward to setting up business relationship with you and hope to provide you with the best service and solution. Let us make a better world for our industry!



## Contact us

Tel: +86-755-8981 8866 Fax: +86-755-8427 6832

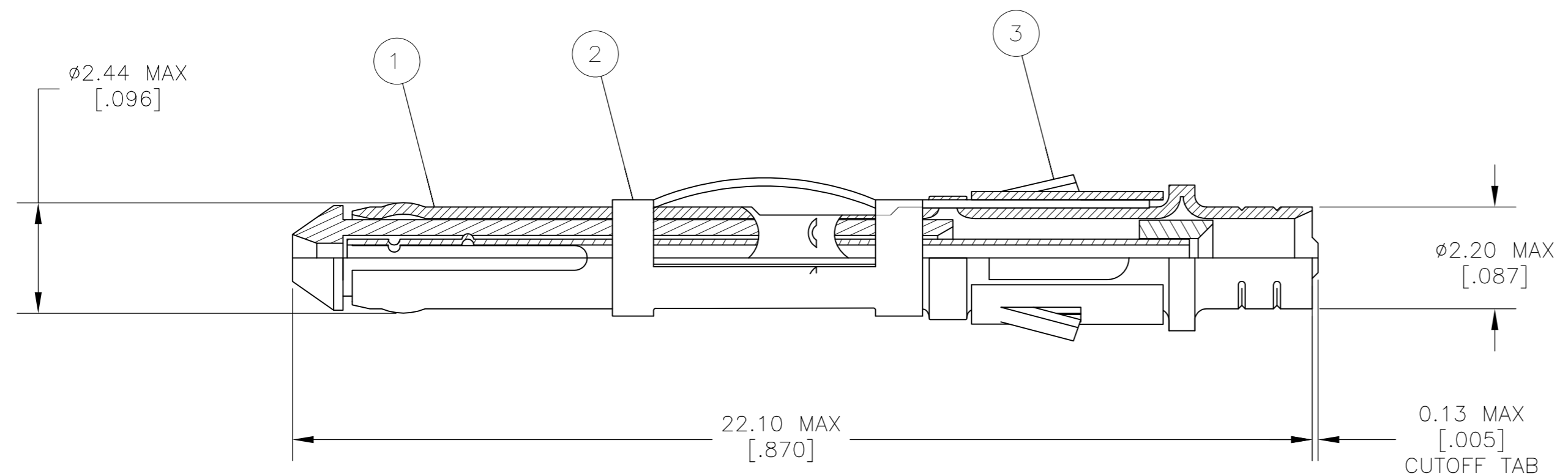
Email & Skype: info@chipsmall.com Web: www.chipsmall.com

Address: A1208, Overseas Decoration Building, #122 Zhenhua RD., Futian, Shenzhen, China

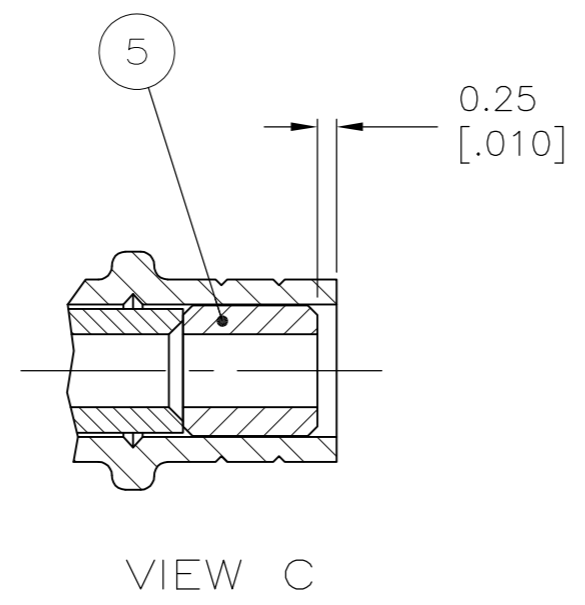
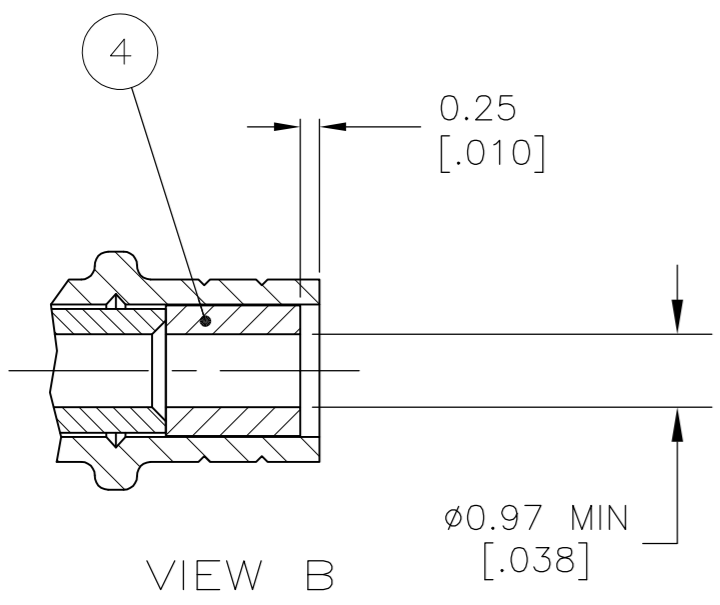


THIS DRAWING IS UNPUBLISHED. RELEASED FOR PUBLICATION  
 © COPYRIGHT BY TYCO ELECTRONICS CORPORATION. ALL RIGHTS RESERVED.

LOC	DIST	REVISIONS					
		P	LTR	DESCRIPTION	DATE	DWN	APVD
AJ	17		V2	REVISED PER ECO-06-019979	21AUG2006	KS	GM
			V3	REVISED PER ECO-09-020774	25AUG09	KK	AEG



- 1. PTFE PER MIL-P-19468.
- 2. GOLD PLATE PER MIL-G-45204, .000030 ON MATING SURFACES, FLASH ON REMAINDER.
- 3. NICKEL PL PER QQ-N-290.
- 4. STAINLESS STEEL PER QQ-S-766.
- 5. POLYPROPYLENE, GENERAL PURPOSE.
- 6. BERYLLIUM COPPER PER QQ-C-533.
- 7. BRASS PER MIL-C-50.
- 8. BRASS PER ASTM-B-135.
- 9. TIN PL PER MIL-T-10727.
- 10. WEIGHT: .013 OZ
- 11. FOR CABLE SELECTION, FERRULE AND HANDTOOL PART NOS. SE 1.S. 2024-2.
- 12. GOLD PL PER MIL-G-45204, .000050 ON MATING SURFACES, FLASH ON REMAINDER.
- 13. OBSOLETE PARTS: OBSOLETE CIS STREAMLINING PER D.RENAUD/D.SINISI



OBSOLETE		A	-	-	-	-	1-51652-3	1-51563-5				
OBSOLETE	1	B	-	221993-1	51671-1	1-50606-4	51562-2	1-51563-4				
OBSOLETE		B	-	51569-1	51671-1	-	51562-1	51563-9				
OBSOLETE		A	-	-	51671-1	-	51562-1	51563-8				
OBSOLETE	12	C	51673-2	-	51671-1	1-50606-4	51562-2	51563-6				
OBSOLETE	12	B	-	51569-1	51671-1	1-50606-4	51562-2	51563-5				
OBSOLETE	12	A	-	-	51671-1	1-50606-4	51562-2	51563-4				
OBSOLETE		C	51673-2	-	51671-1	1-50606-4	51562-1	51563-3				
OBSOLETE		B	-	51569-1	51671-1	1-50606-4	51562-1	51563-2				
OBSOLETE		A	-	-	51671-1	1-50606-4	51562-1	51563-1				
NOTE	VIEW	5	BUSHING QTY=1	4	SLEEVE QTY=1	3	SPRING RETENTION QTY=1	2	ALIGNMENT SPRING QTY=1	1	MATERIAL	PART NUMBER

THIS DRAWING IS A CONTROLLED DOCUMENT.

DWN	S. KOHL	5/3/91	Tyco Electronics Corporation Harrisburg, PA 17105-3608
CHK	B. WERNER	5/12/91	
APVD	D. DOYE	5/12/91	
NAME			
DIMENSIONS: INCHES			PIN CONTACT, SUBMINIATURE SIZE: A2 CAGE CODE: 00779 DRAWING NO: C-51563 RESTRICTED TO: - SCALE: 10:1 SHEET: 1 of 1 REV: V3
TOLERANCES UNLESS OTHERWISE SPECIFIED:			
MATERIAL			0 PLC ± - 1 PLC ± - 2 PLC ± - 3 PLC ± .005 4 PLC ± - ANGLES ± - FINISH -
CUSTOMER DRAWING			WEIGHT: - SCALE: 10:1 SHEET: 1 of 1 REV: V3