



Chipsmall Limited consists of a professional team with an average of over 10 year of expertise in the distribution of electronic components. Based in Hongkong, we have already established firm and mutual-benefit business relationships with customers from,Europe,America and south Asia,supplying obsolete and hard-to-find components to meet their specific needs.

With the principle of "Quality Parts,Customers Priority,Honest Operation,and Considerate Service",our business mainly focus on the distribution of electronic components. Line cards we deal with include Microchip,ALPS,ROHM,Xilinx,Pulse,ON,Everlight and Freescale. Main products comprise IC,Modules,Potentiometer,IC Socket,Relay,Connector.Our parts cover such applications as commercial,industrial, and automotives areas.

We are looking forward to setting up business relationship with you and hope to provide you with the best service and solution. Let us make a better world for our industry!



## Contact us

Tel: +86-755-8981 8866 Fax: +86-755-8427 6832

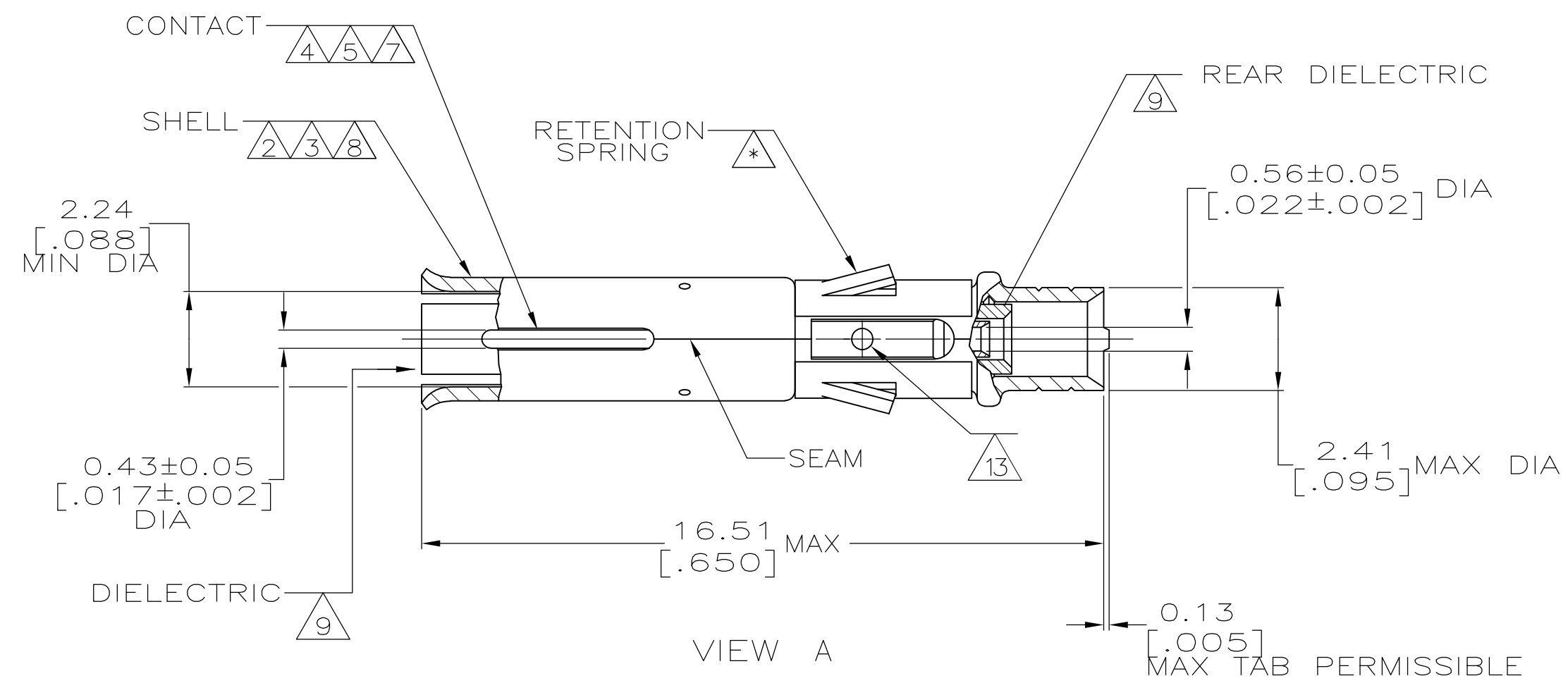
Email & Skype: info@chipsmall.com Web: www.chipsmall.com

Address: A1208, Overseas Decoration Building, #122 Zhenhua RD., Futian, Shenzhen, China

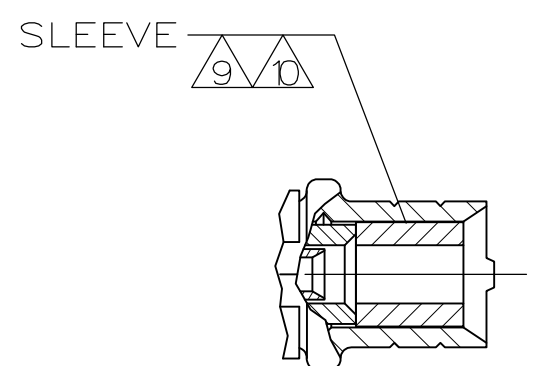


THIS DRAWING IS UNPUBLISHED. RELEASED FOR PUBLICATION  
 © COPYRIGHT - By - ALL RIGHTS RESERVED.

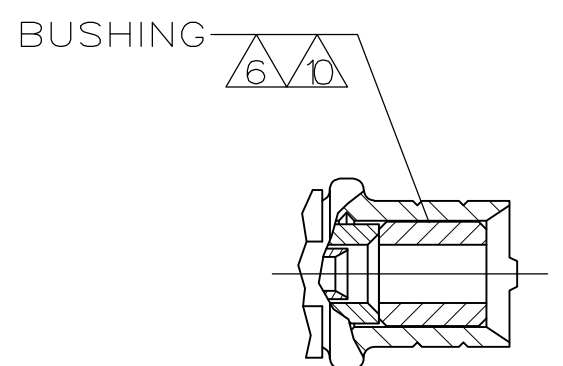
LOC		DIST		REVISIONS					
AJ		16		P	LTR	DESCRIPTION	DATE	DWN	APVD
				N2		REVISED PER ECO-11-005030	11MAR11	RK	HMR



VIEW A



VIEW B



VIEW C

1. FOR CABLE SELECTION, FERRULE AND HANDTOOL PART NUMBERS, SEE I.S. 2024-2

- △2 GOLD PLATE PER MIL-G-45204,.000027 MINIMUM THICKNESS
- △3 GOLD PLATE PER MIL-G-45204,.000045 MINIMUM THICKNESS
- △4 GOLD PLATE PER MIL-G-45204,.000030 MINIMUM THICKNESS
- △5 GOLD PLATE PER MIL-G-45204,.000050 MINIMUM THICKNESS
- △6 TIN PLATE PER MIL-T-10272
- △7 BRASS PER QQ-B-626
- △8 BRASS PER MIL-C-50
- △9 POLYPROPYLENE,GENERAL PURPOSE
- △10 BRASS PER ASTM-B-135
- △11 STAINLESS STEEL,SPRING TEMPER PER QQ-S-766
- △12 PTFE PER MIL-P-19468
- △13 SIGHT HOLE VISIBLE THROUGH THE PORT SLOT ON RETENTION SPRING
- △14 OBSOLETE PARTS: OBSOLETE CIS STREAMLINING PER D.RENAUD/D.SINISI

△13	OBSOLETE	A	△2 △4	△7 △8 △9 △11	1-51565-5
△14	OBSOLETE	A	△2 △4	△7 △8 △9 △11	1-51565-4
	OBSOLETE	B	△3 △5	△7 △8 △9 △11 △12	1-51565-3
	OBSOLETE	C	△3 △5 △6	△7 △8 △9 △10 △11	51565-6
	OBSOLETE	B	△3 △5	△7 △8 △9 △11	51565-5
	OBSOLETE	A	△3 △5	△7 △8 △9 △11	51565-4
	OBSOLETE	C	△2 △4 △6	△7 △8 △9 △10 △11	51565-3
	OBSOLETE	B	△2 △4	△7 △8 △9 △11	51565-2
	OBSOLETE	A	△2 △4	△7 △8 △9 △11	51565-1
		VIEW	FINISH	MATERIAL	PART NUMBER

THIS DRAWING IS A CONTROLLED DOCUMENT. DWN 4-23-91 B. WERNER  
 CHK 5-3-91 D. DOYE  
 APVD -  
 PRODUCT SPEC -  
 APPLICATION SPEC -  
 WEIGHT -

DIMENSIONS: INCHES  
 TOLERANCES UNLESS OTHERWISE SPECIFIED:  
 0 PLC ± -  
 1 PLC ± -  
 2 PLC ± -  
 3 PLC ± -  
 4 PLC ± -  
 ANGLES ± -  
 FINISH SEE TABLE

MATERIAL SEE TABLE

TE Connectivity  
 SOCKET ASSEMBLY, SERIES SUBMINIATURE  
 SIZE A2 CAGE CODE 00779 DRAWING NO C=51565 RESTRICTED TO -  
 SCALE 8:1 SHEET 1 of 1 REV N2